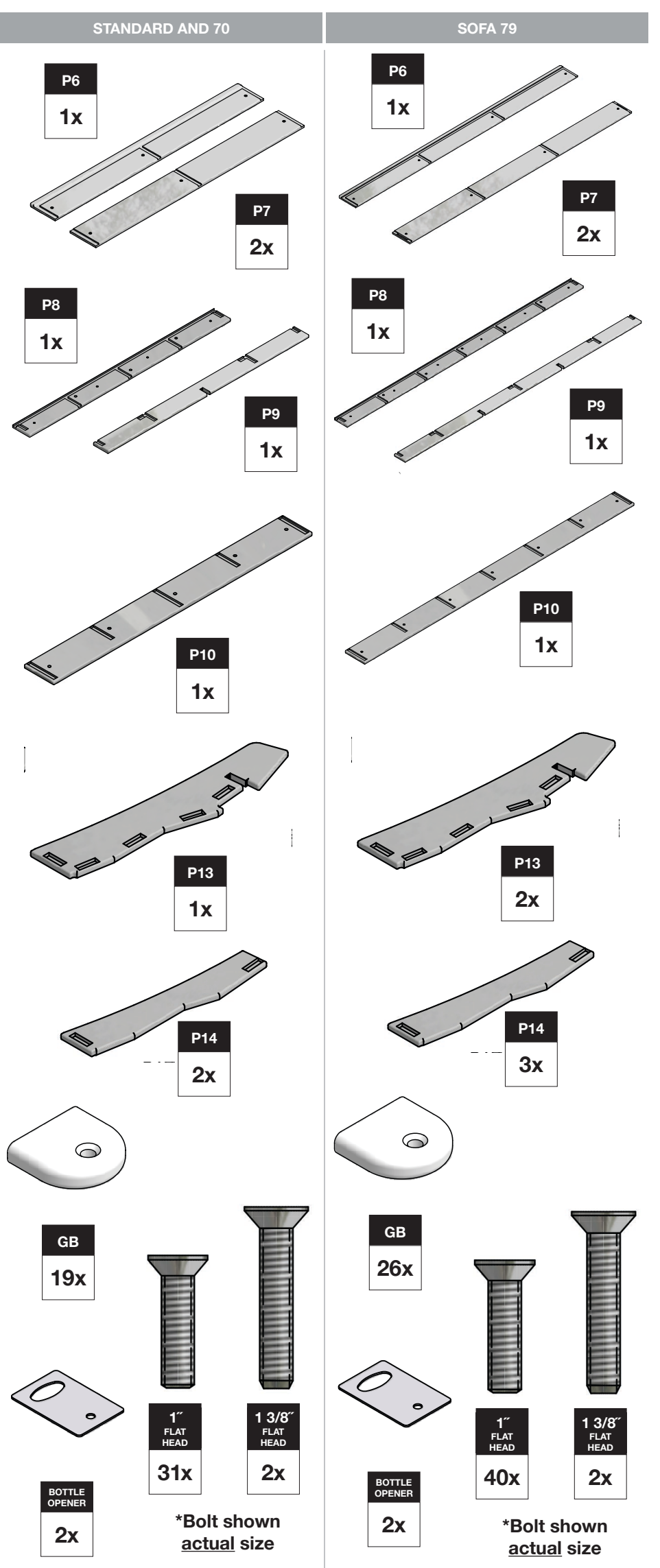
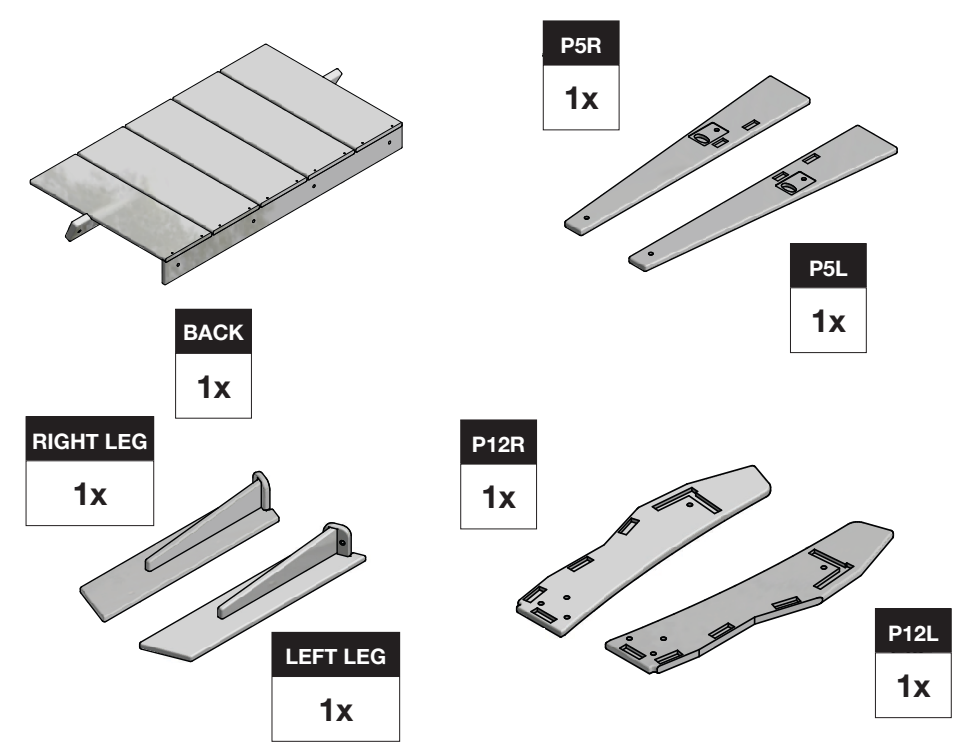


INCLUDED PARTS



ASSEMBLY TIPS: 5 Important Points You NEED to Read

Prior to beginning assembly, please inspect and inventory the parts to make sure you have everything and that nothing was damaged during shipping. If damage has occurred, please take photos and go to lollidesigns.com/damage. Rest assured we'll get it taken care of straight away!

To avoid scratching furniture, assemble on a clean soft surface like a blanket, carpet, or the flattened cardboard box the furniture was shipped in.

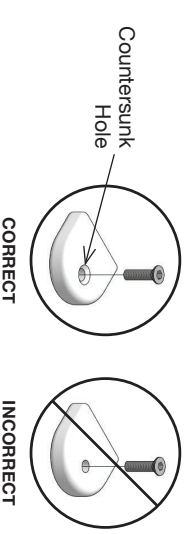
Start all bolts by hand to ensure proper alignment and to prevent cross threading. Then using the Allen Key or Loll Tool, tighten until you feel resistance.

Bolts should not be forced, but some components, particularly the blocks will need a bit of muscle to get them together as they are machined for a snug fit. If parts are still not going together, please send us a photo of the part you are having trouble with.

You can use a cordless screw gun if you have one and know how to use it. Set the clutch setting at low to medium torque. **We do not recommend using an electric drill without a clutch** to install bolts as you can easily overtighten and damage the product.

BLOCK & BOLT INSTALLATION

Insert bolts through countersunk hole side of blocks as shown below.



"Loll Designs inspires people to appreciate the outdoors."

Greg Benson - Founder

RECYCLE THE PACKAGING

We've gone through great lengths to make as much of our packaging as possible recyclable. The cardboard box, paper wrap, filler and paper bags can all go in your recycling bin. The muslin hardware bags replaced plastic bags with the intention of reducing plastic and encouraging reuse. Loll Designs and Planet Earth thank you!

WE WANT YOU TO LOVE YOUR LOLL

For more info and visual aids, watch the assembly videos at www.lollidesigns.com/videos. For product care & maintenance, visit www.lollidesigns.com/care-maintenance. For further lollygagging assistance, please reach out!

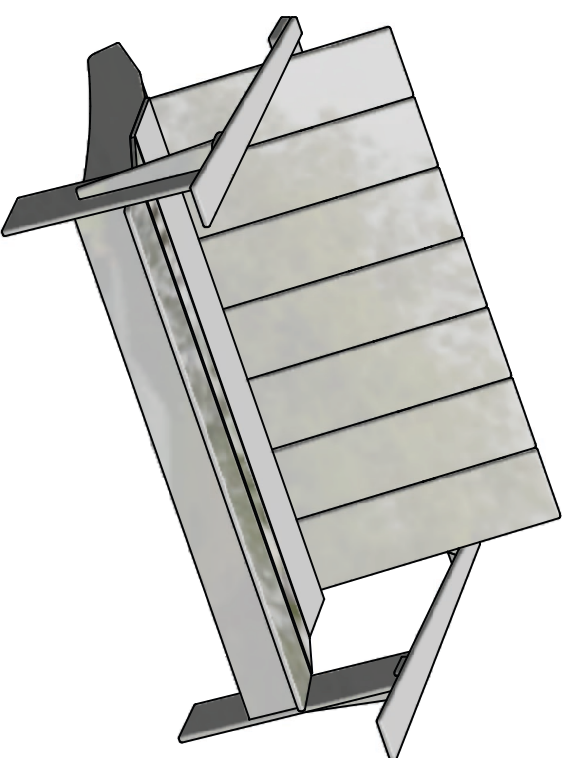
+1 877-740-3387

sales@lollidesigns.com

5912 Waseca Street
Duluth, Minnesota 55807

ASSEMBLY INSTRUCTIONS & PRODUCT INFO:

EMMET SOFA, SOFA 70,
AND SOFA 79 + TALL



Room&Board

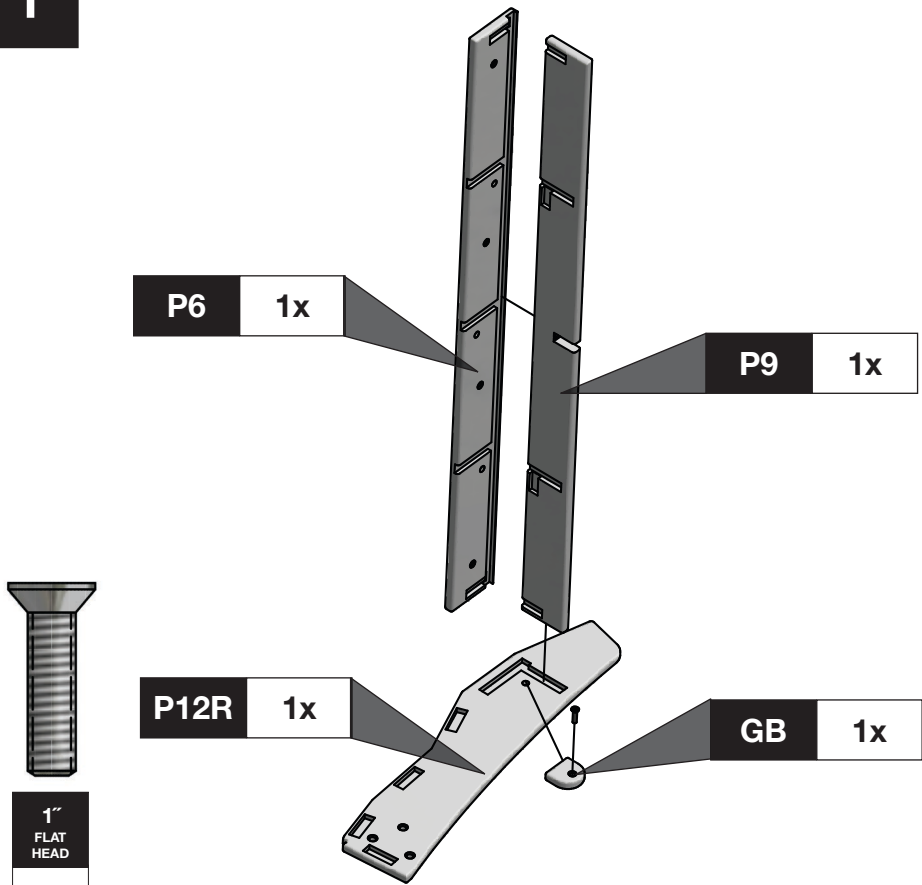
BY:



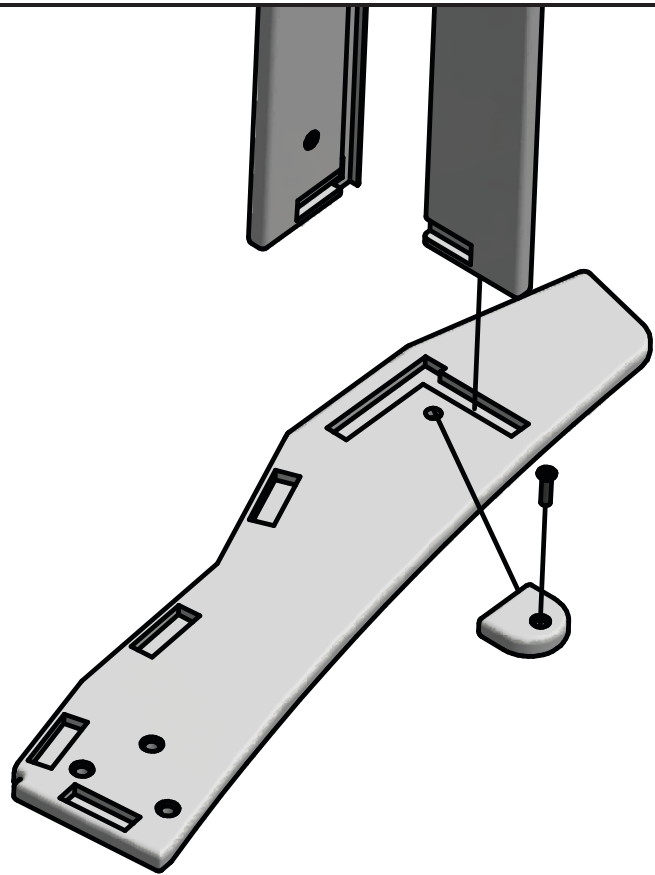
MADE IN THE USA



1

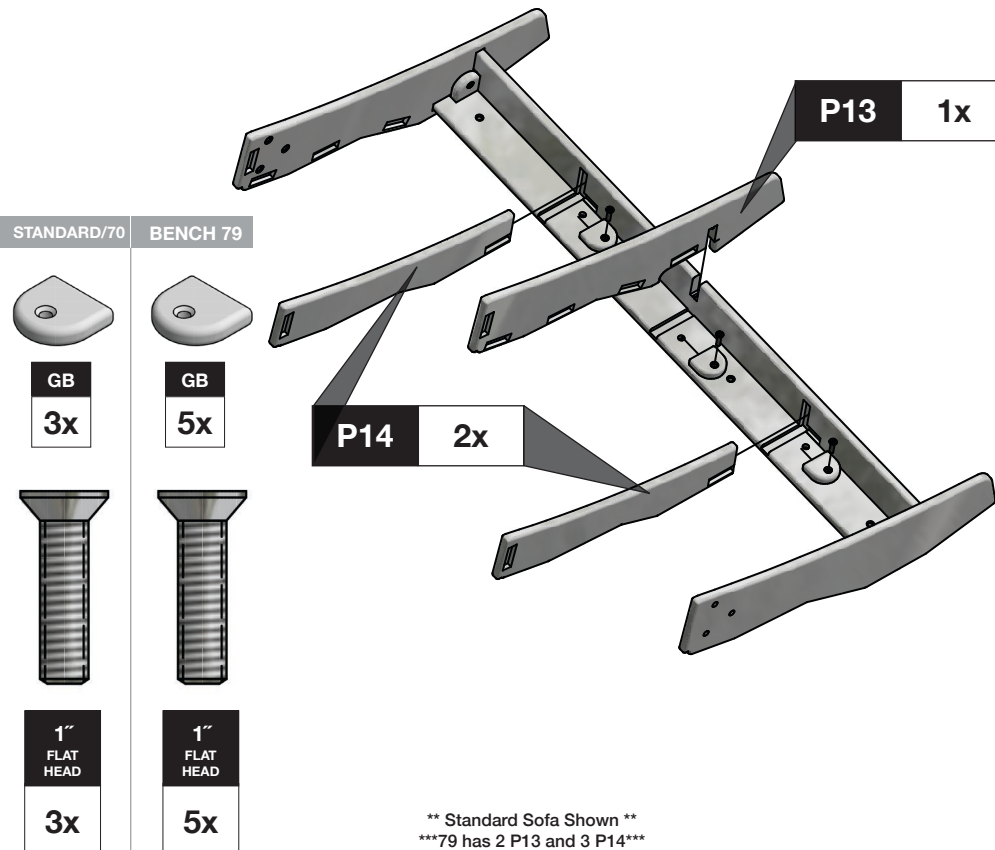


** Standard Sofa Shown **

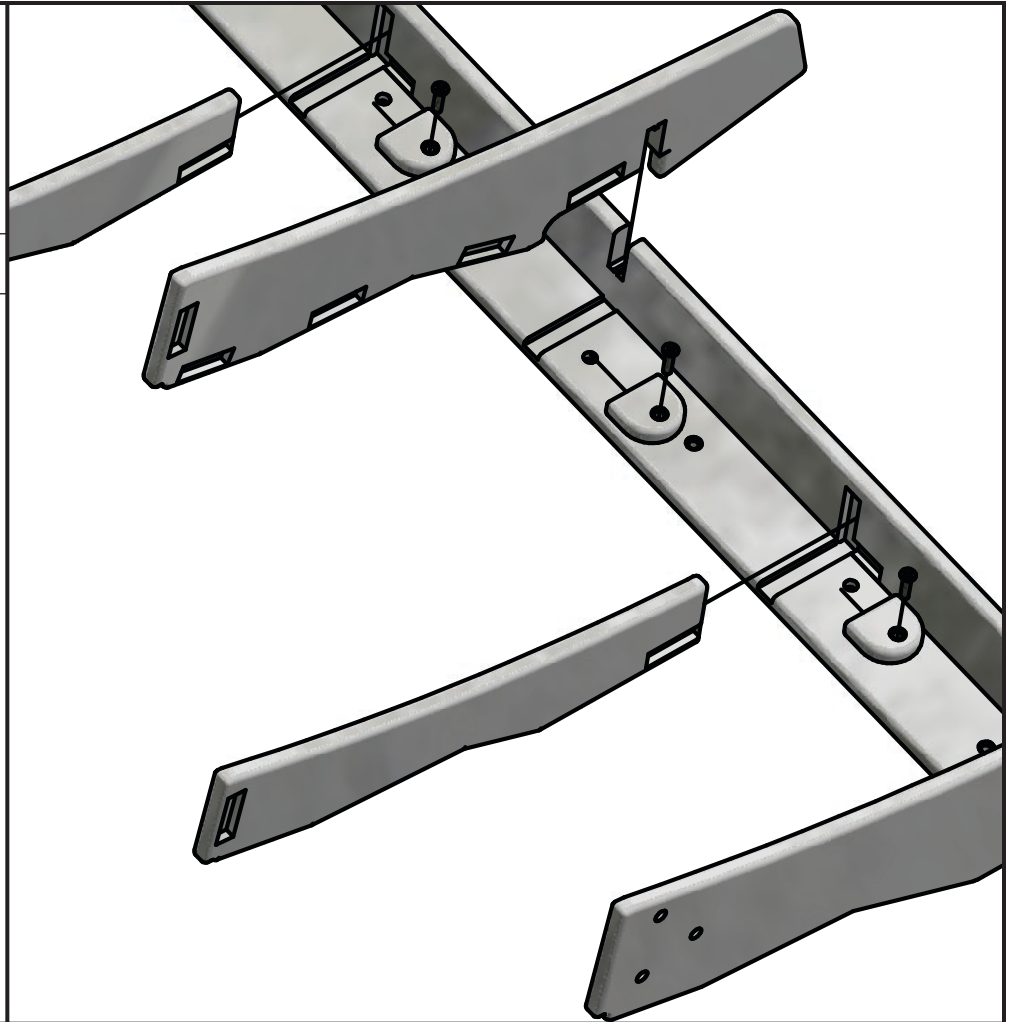


Repeat for remaining side

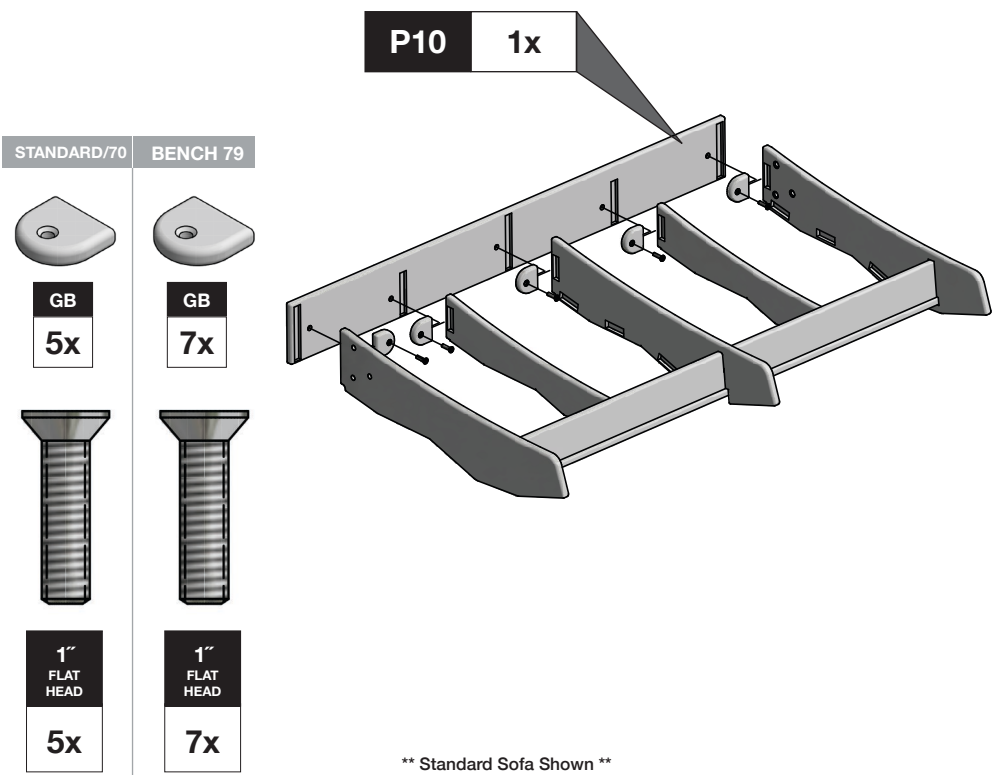
2



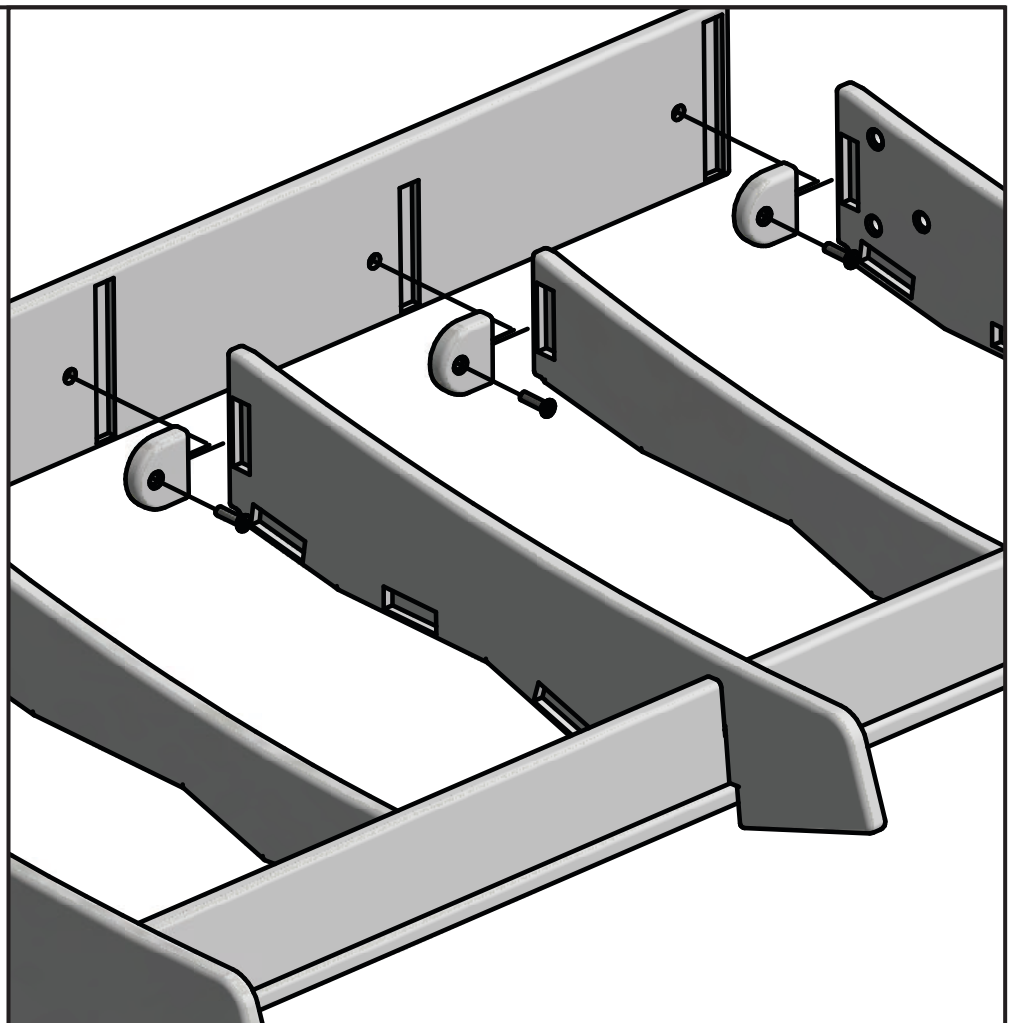
** Standard Sofa Shown **
79 has 2 P13 and 3 P14



3

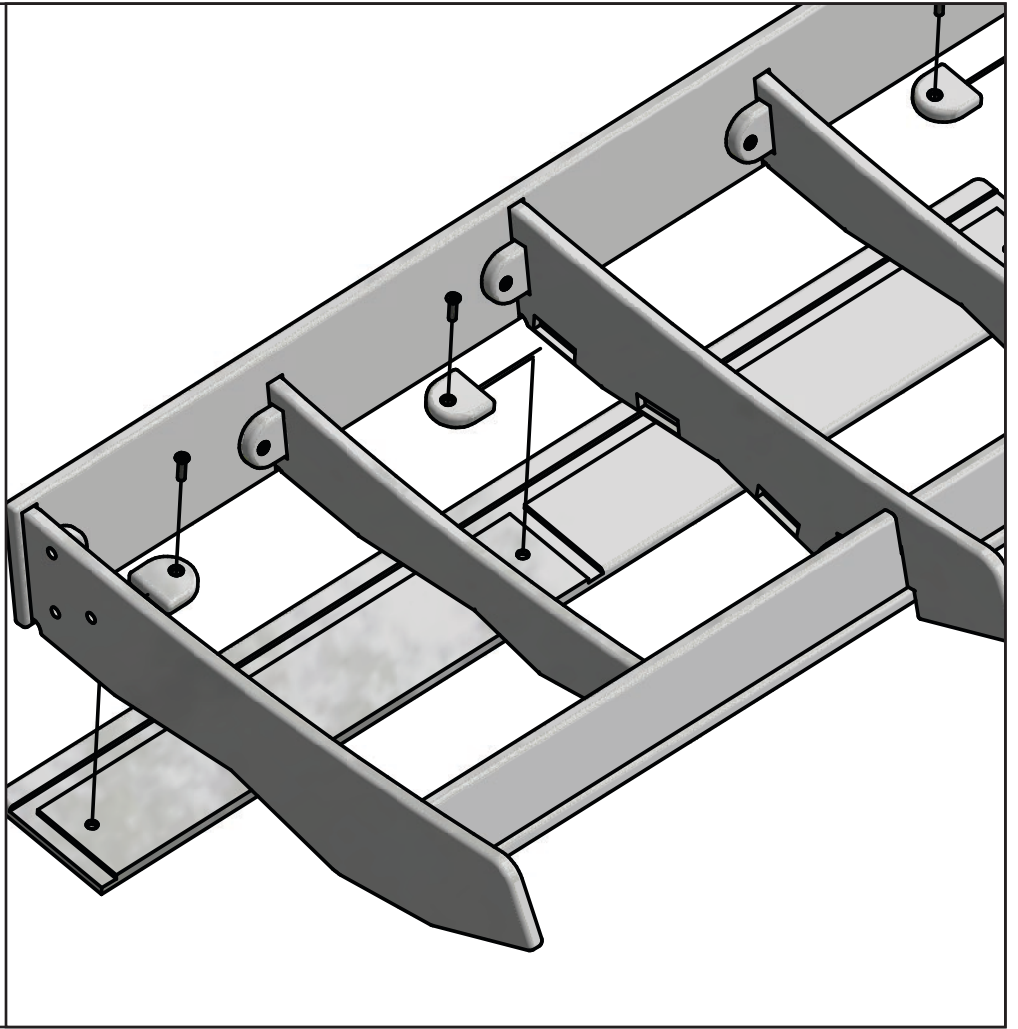
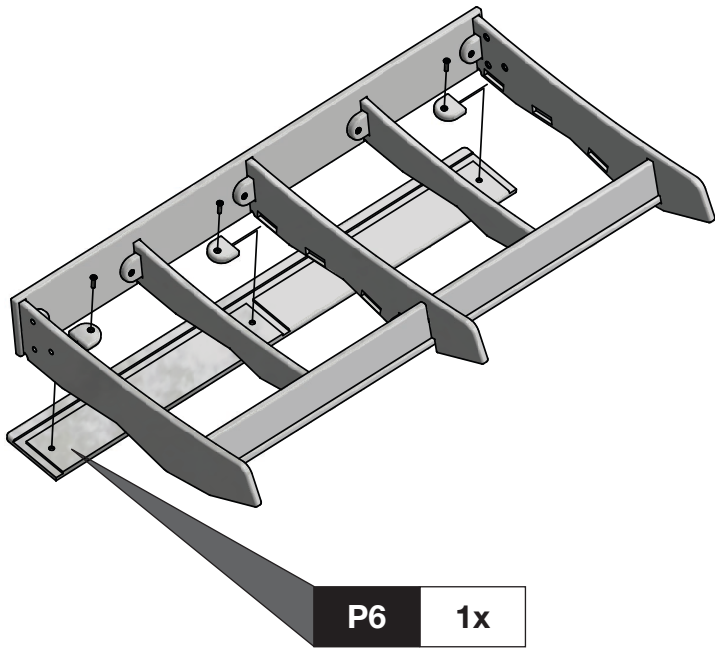
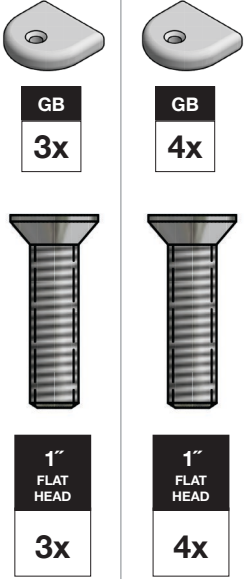


** Standard Sofa Shown **



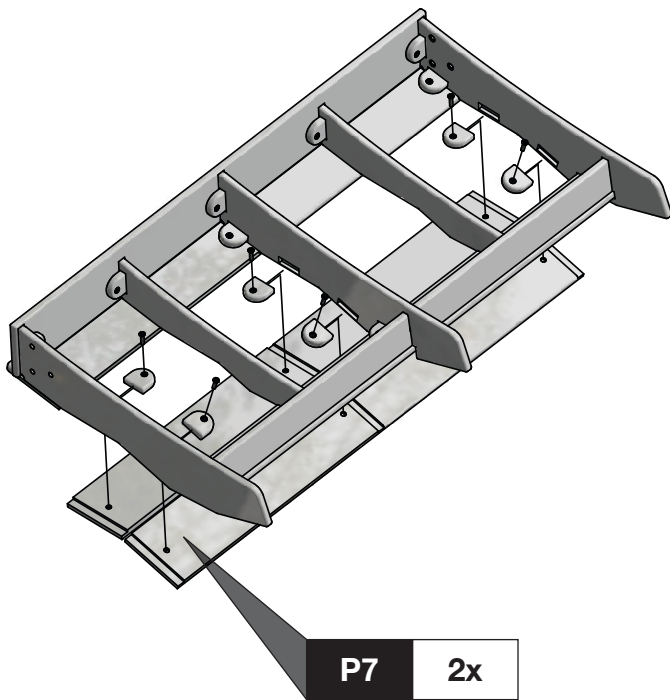
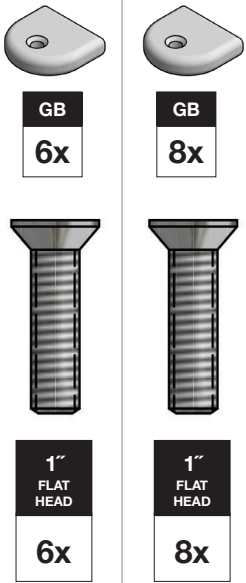
4

STANDARD/70 BENCH 79

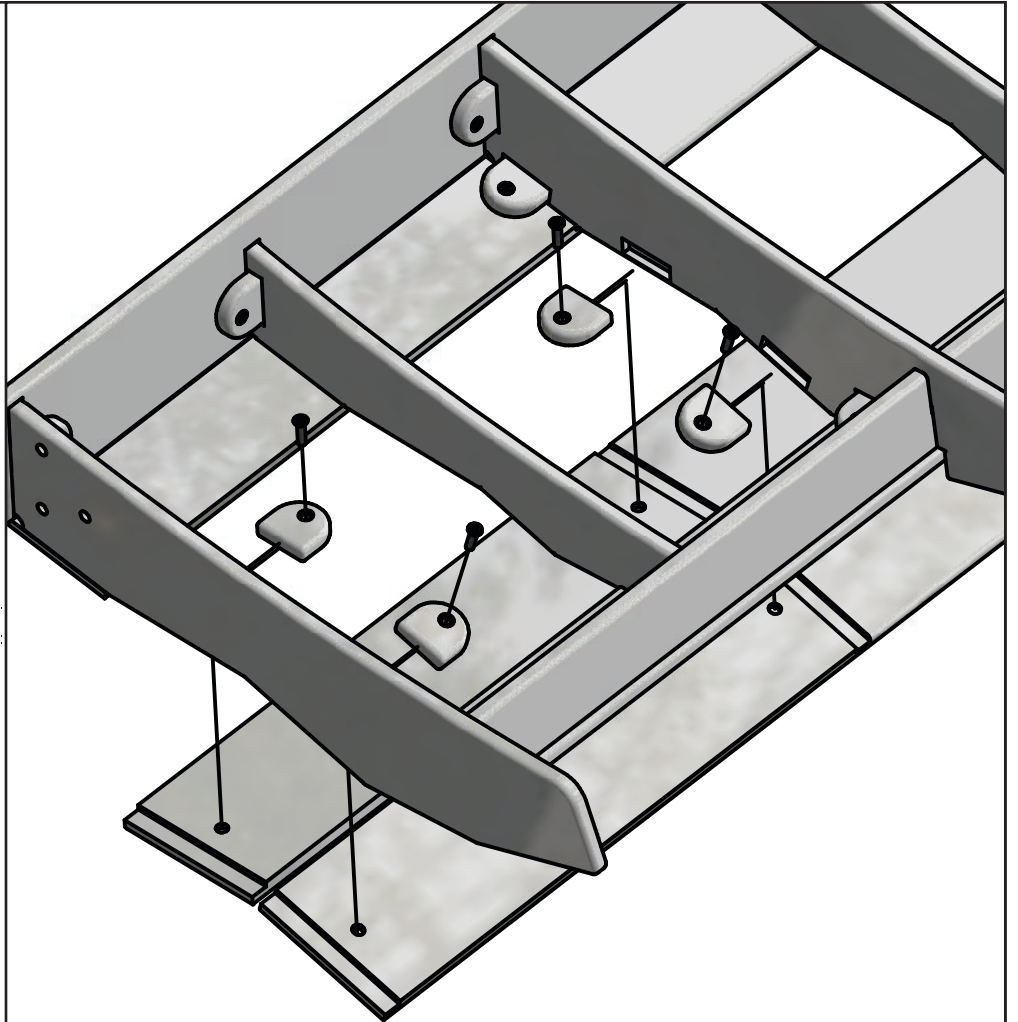


5

STANDARD/70 BENCH 79



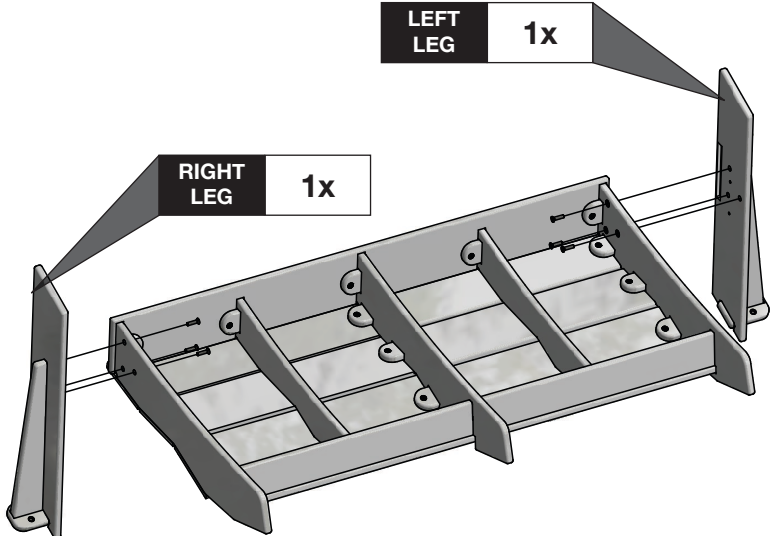
** Standard Sofa Shown **



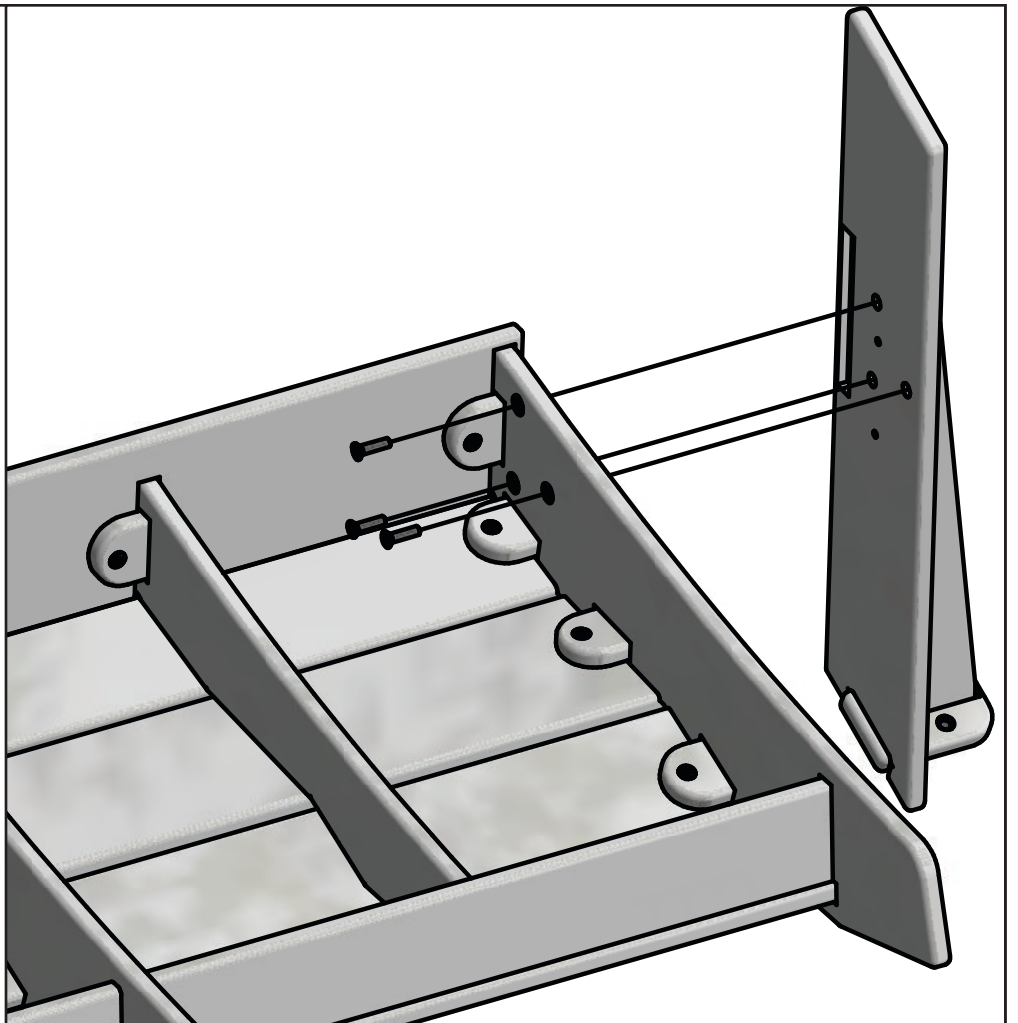
6

LEFT LEG 1x

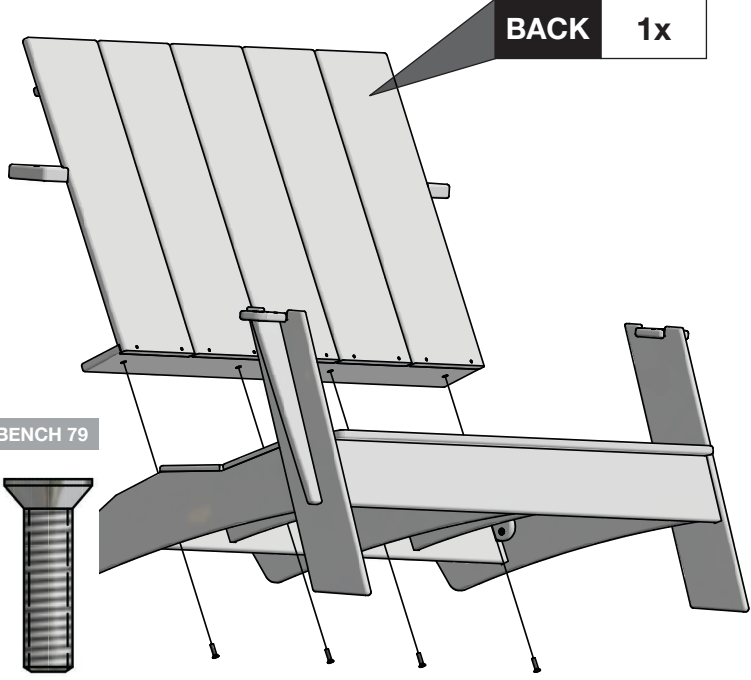
RIGHT LEG 1x



** Standard Sofa Shown **



7



STANDARD/70 BENCH 79



1" FLAT HEAD

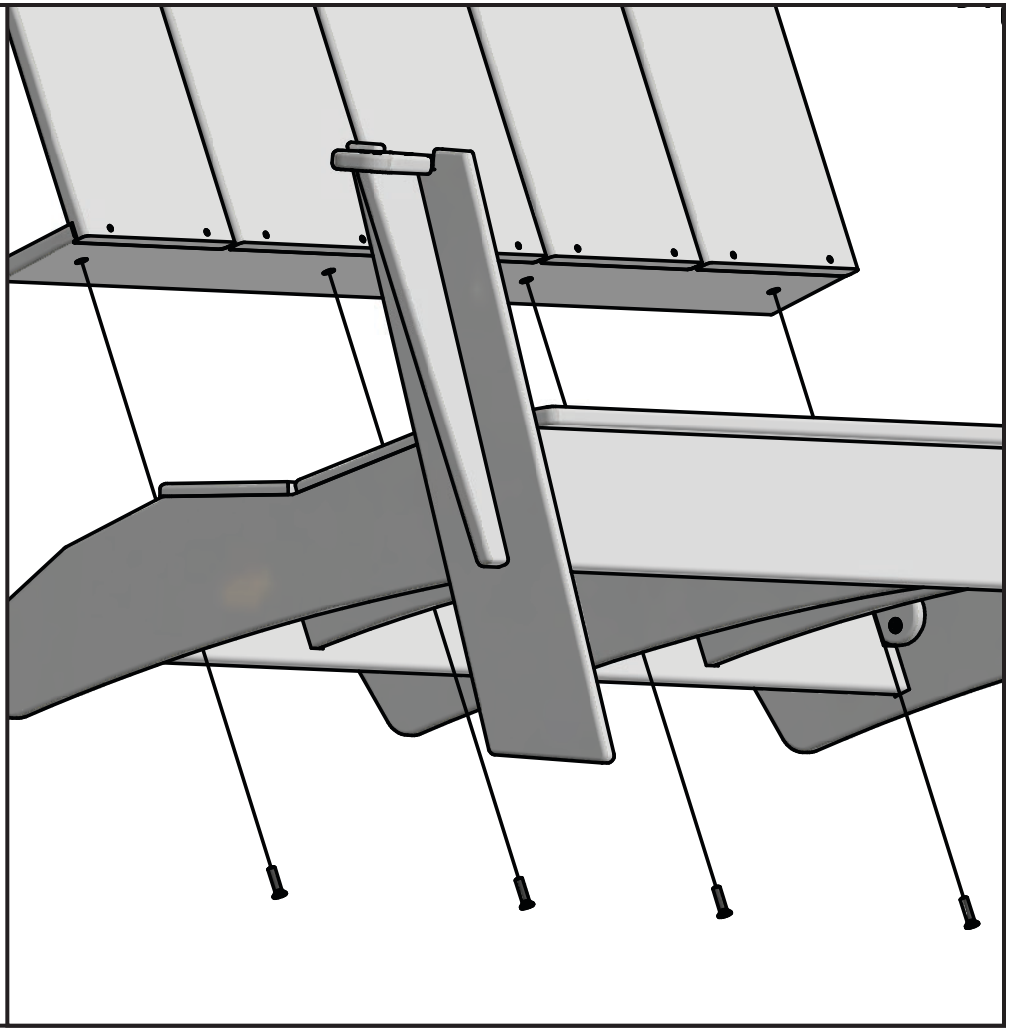
4x



1" FLAT HEAD

6x

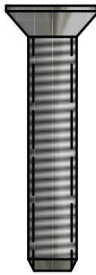
** Standard Sofa Shown **



8

P5R 1x

P5L 1x



1 3/8" FLAT HEAD

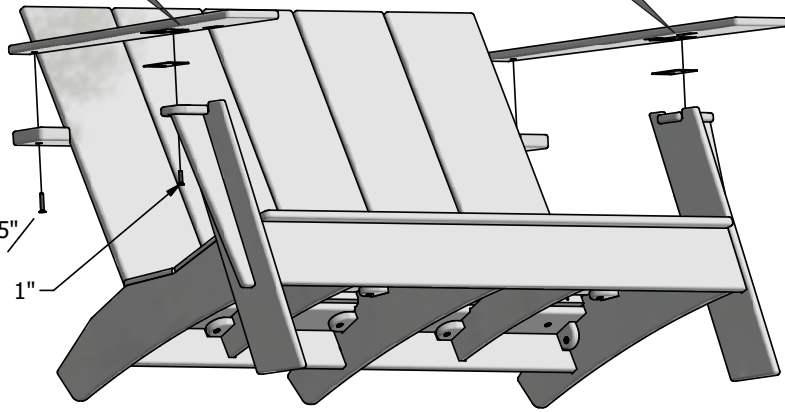
2x



1" FLAT HEAD

2x

1.375"
1"



** Standard Sofa Shown **

