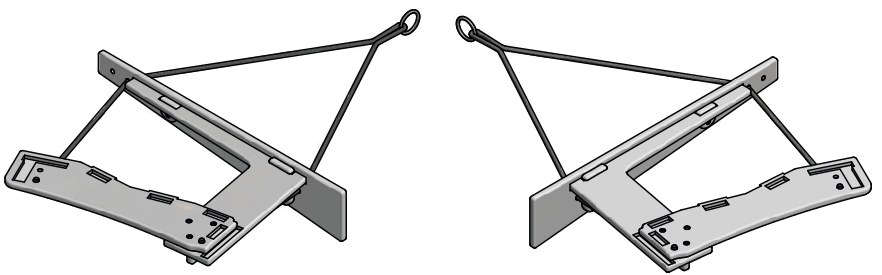
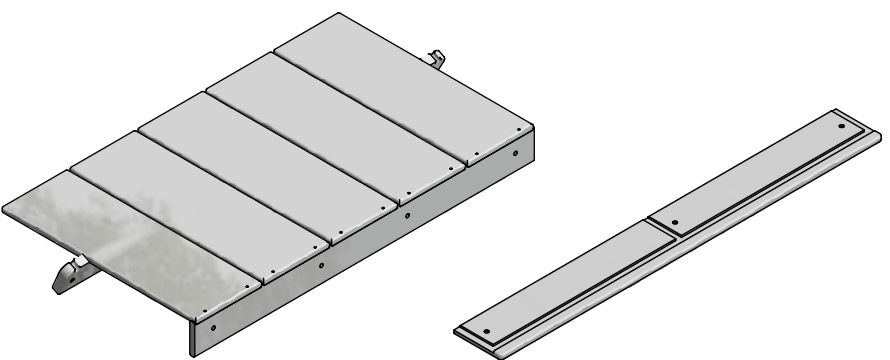


## INCLUDED PARTS



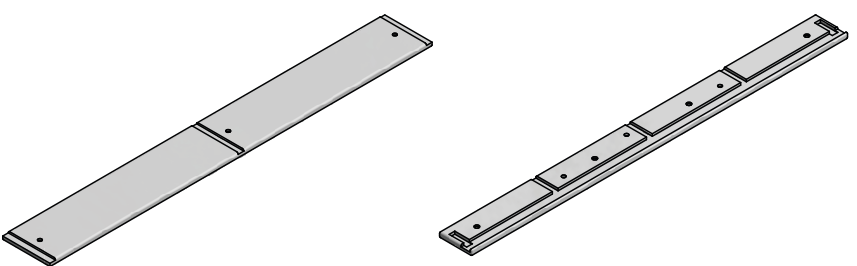
LEFT SIDE  
1x

RIGHT SIDE  
1x



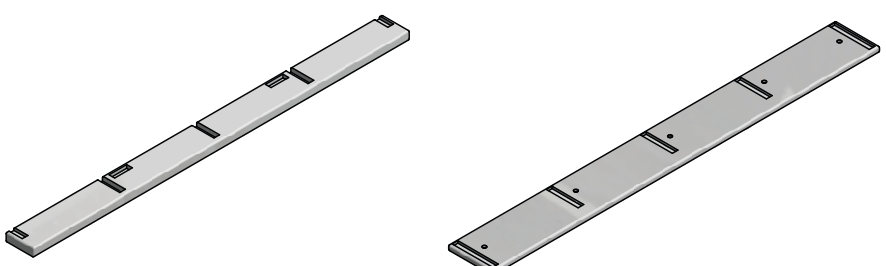
BACK  
1x

P6  
1x



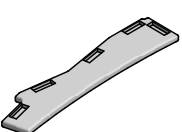
P7  
2x

P8  
1x

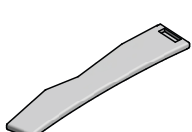


P9  
1x

P10  
1x



P13  
1x



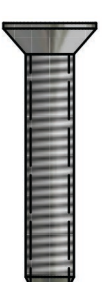
P14  
2x



GB  
19x



1"  
29x



1.375"  
2x

\*Bolt shown actual size.

### ASSEMBLY TIPS: 5 Important Points You NEED to Read

Prior to beginning assembly, please inspect and inventory the parts to make sure you have everything and that nothing was damaged during shipping. If damage has occurred, please take photos and go to [lollidesigns.com/damage](http://lollidesigns.com/damage). Rest assured we'll get it taken care of straight away!

To avoid scratching furniture, assemble on a clean soft surface like a blanket, carpet, or the flattened cardboard box the furniture was shipped in.

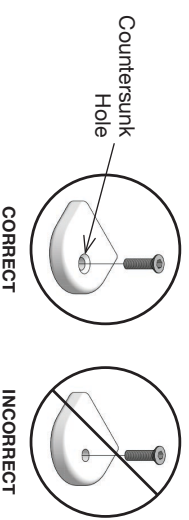
**Start all bolts by hand to ensure proper alignment and to prevent cross threading.** Then using the Allen Key or Loll Tool, tighten until you feel resistance.

Bolts should not be forced, but some components, particularly the blocks will need a bit of muscle to get them together as they are machined for a snug fit. If parts are still not going together, please send us a photo of the part you are having trouble with.

You can use a cordless screw gun if you have one and know how to use it. Set the clutch setting at low to medium torque. **We do not recommend using an electric drill without a clutch** to install bolts as you can easily overtighten and damage the product.

### BLOCK & BOLT INSTALLATION

Insert bolts through countersunk hole side of blocks as shown below.



CORRECT

INCORRECT

*"Loll Designs inspires people to appreciate the outdoors."*

Greg Benson - Founder

### ♻️ RECYCLE THE PACKAGING

We've gone through great lengths to make as much of our packaging as possible recyclable. The cardboard box, paper wrap, filler and paper bags can all go in your recycling bin. The muslin hardware bags replaced plastic bags with the intention of reducing plastic and encouraging reuse. Loll Designs and Planet Earth thank you!

### WE WANT YOU TO LOVE YOUR LOLL

For more info and visual aids, watch the assembly videos at [www.lollidesigns.com/videos](http://www.lollidesigns.com/videos). For product care & maintenance, visit [www.lollidesigns.com/care-maintenance](http://www.lollidesigns.com/care-maintenance). For further lollygagging assistance, please reach out!

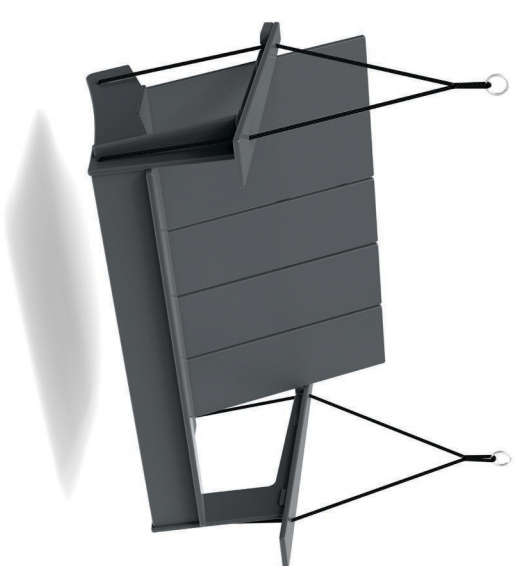
+1 877-740-3387

[sales@lollidesigns.com](mailto:sales@lollidesigns.com)

5912 Waseca Street  
Duluth, Minnesota 55807

### ASSEMBLY INSTRUCTIONS & PRODUCT INFO:

### EMMIET PORCH SWING



Room&Board

BY:



MADE IN THE USA



1

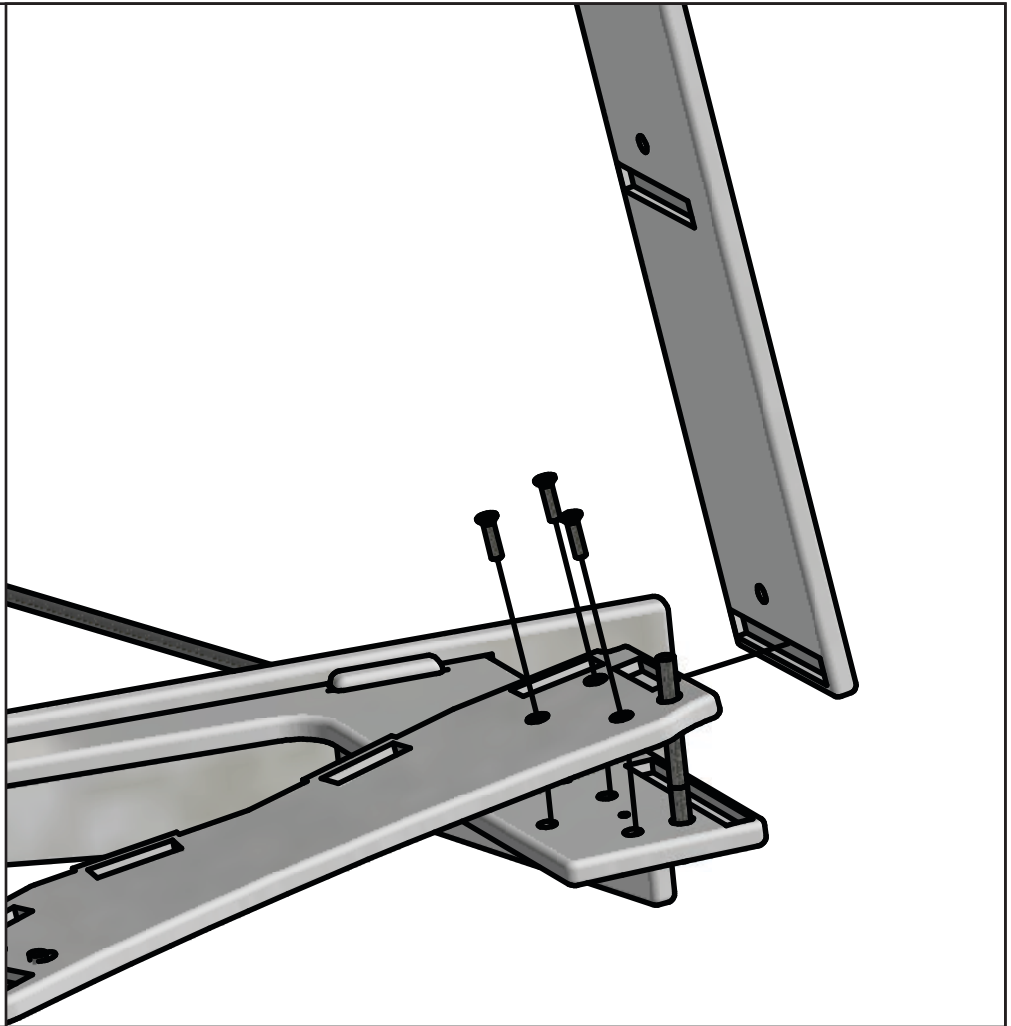
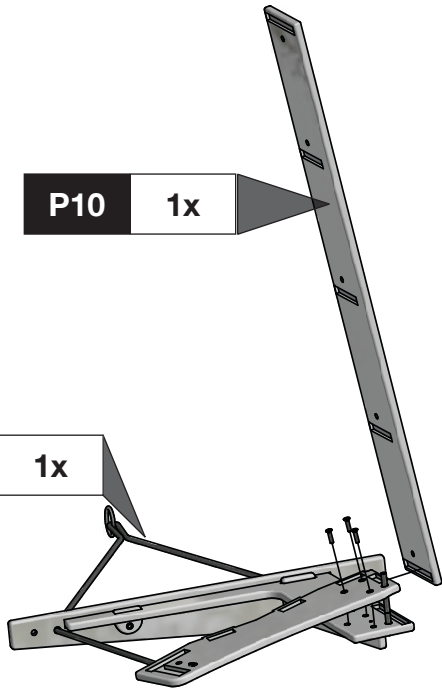
P10 1x

LEFT SIDE 1x



1"

3x



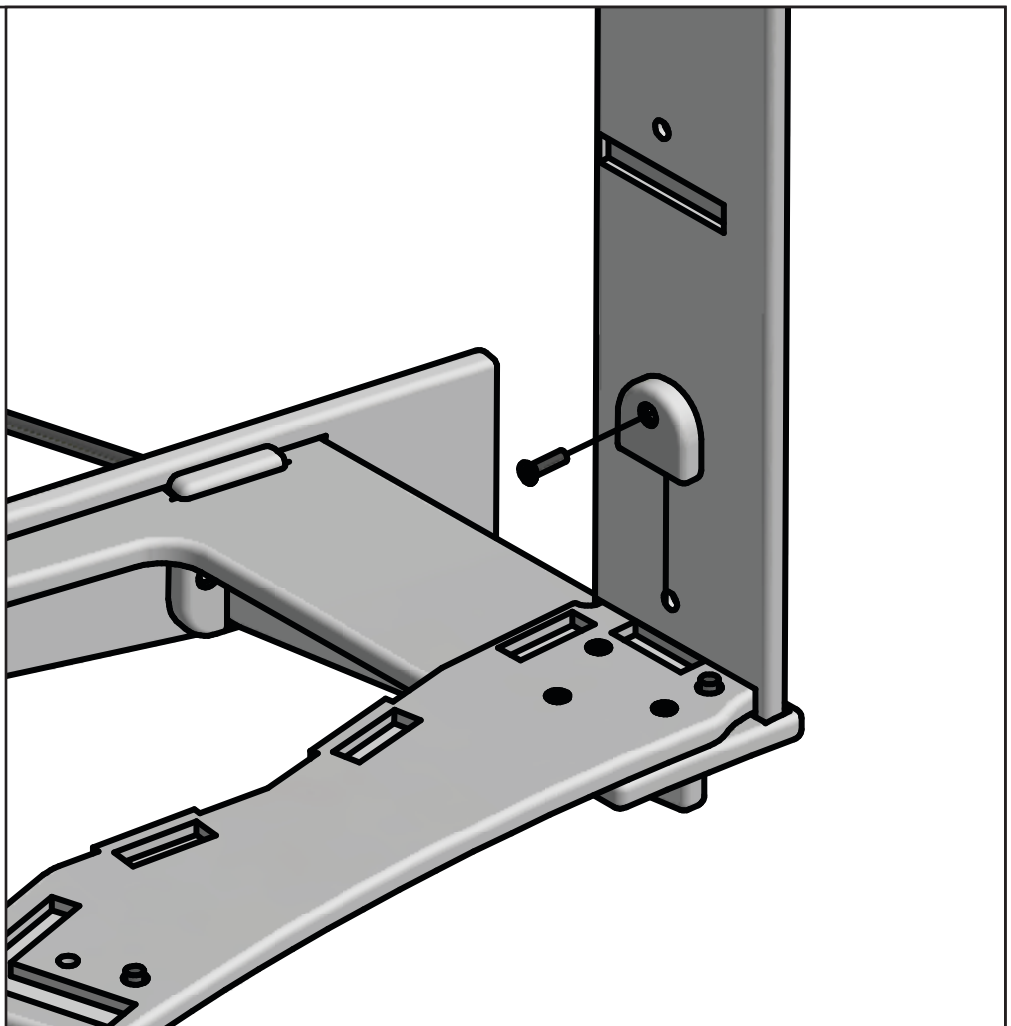
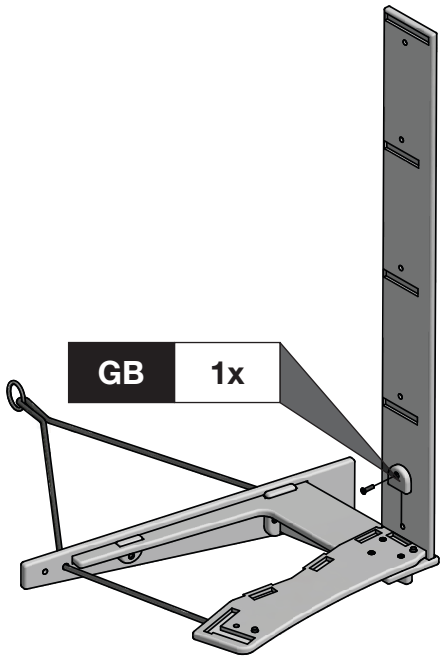
2

GB 1x



1"

1x



3

P9 1x

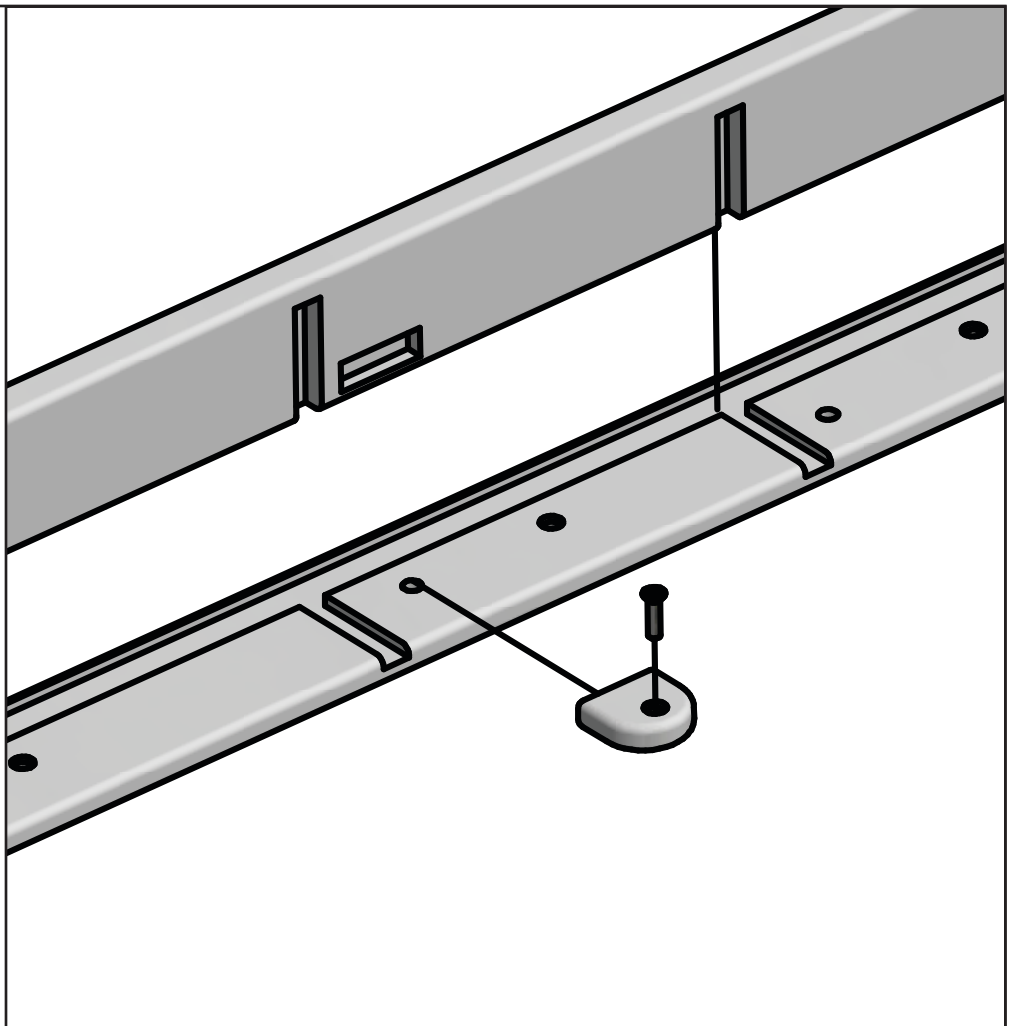
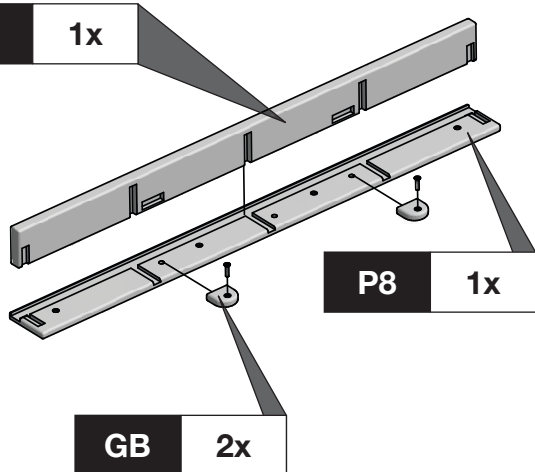
P8 1x

GB 2x



1"

2x

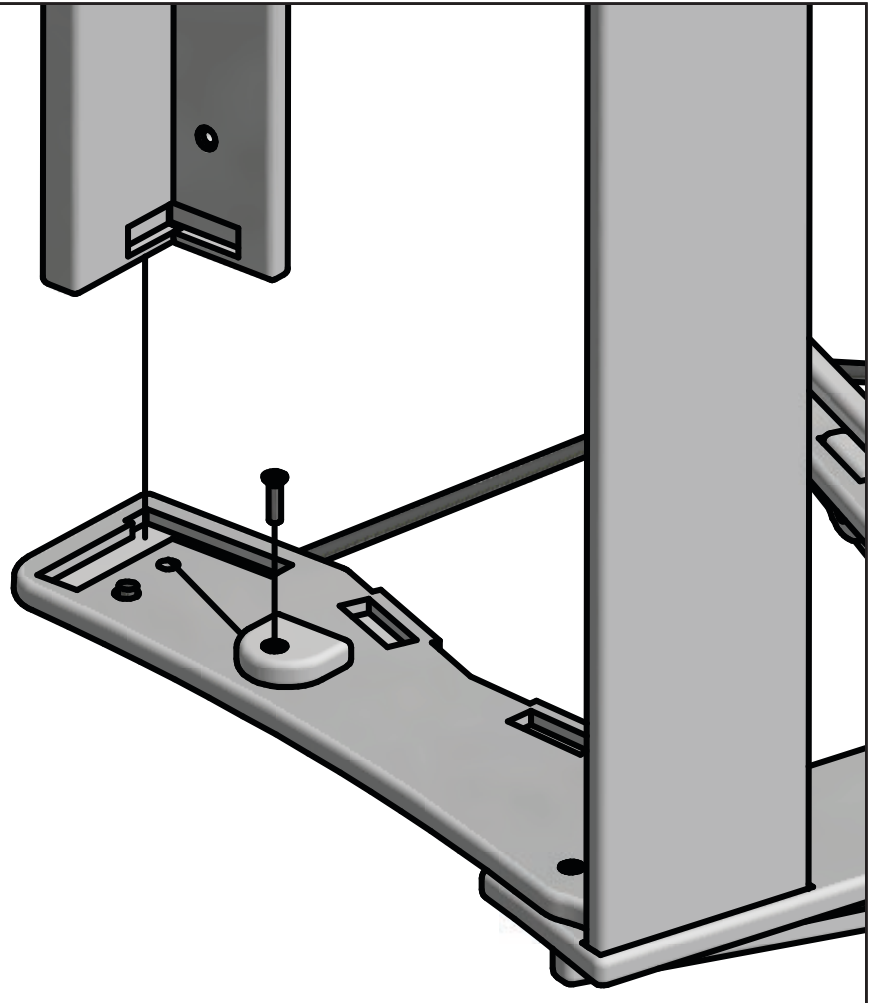
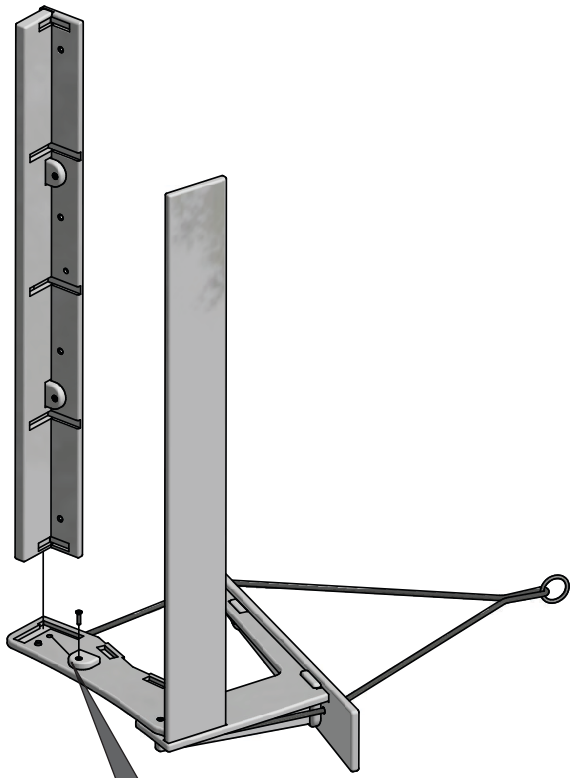


4



1"  
1x

GB 1x



5

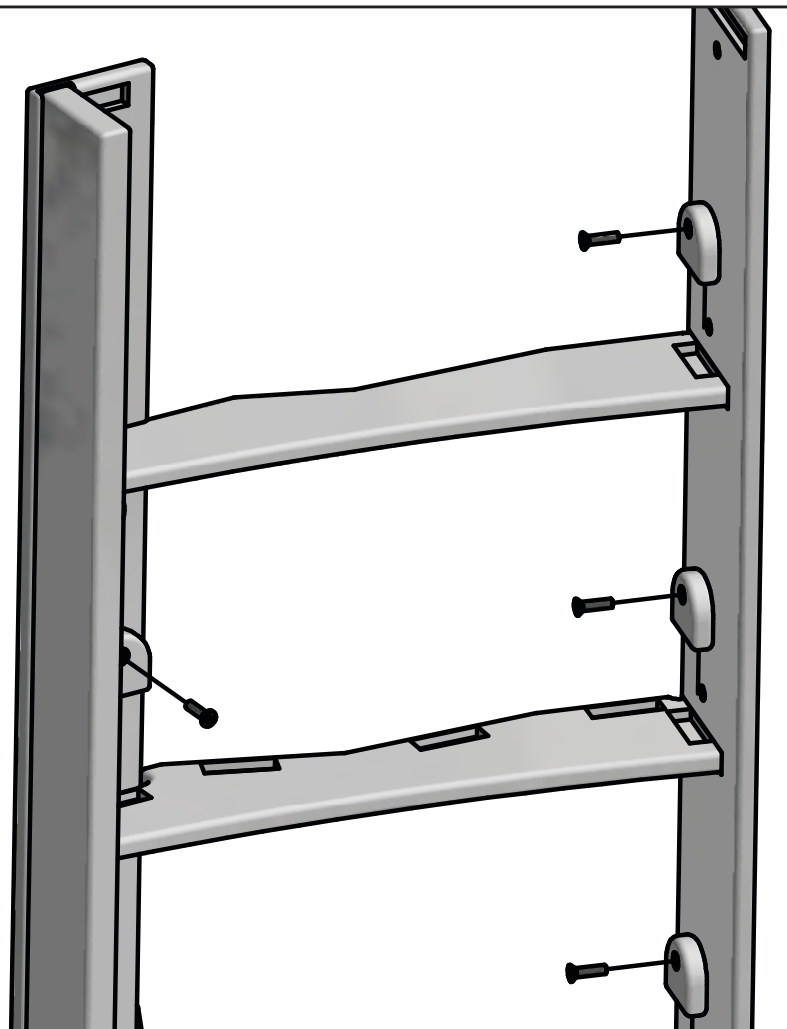
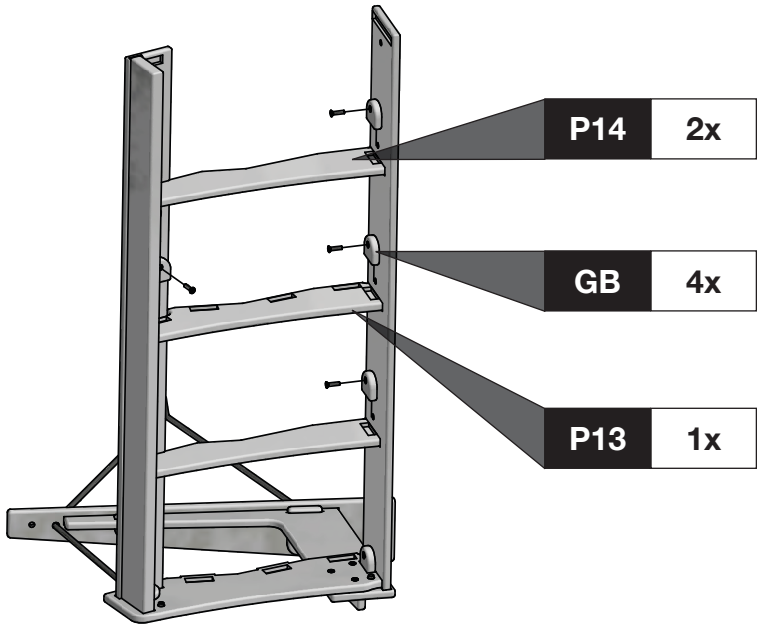


1"  
4x

P14 2x

GB 4x

P13 1x

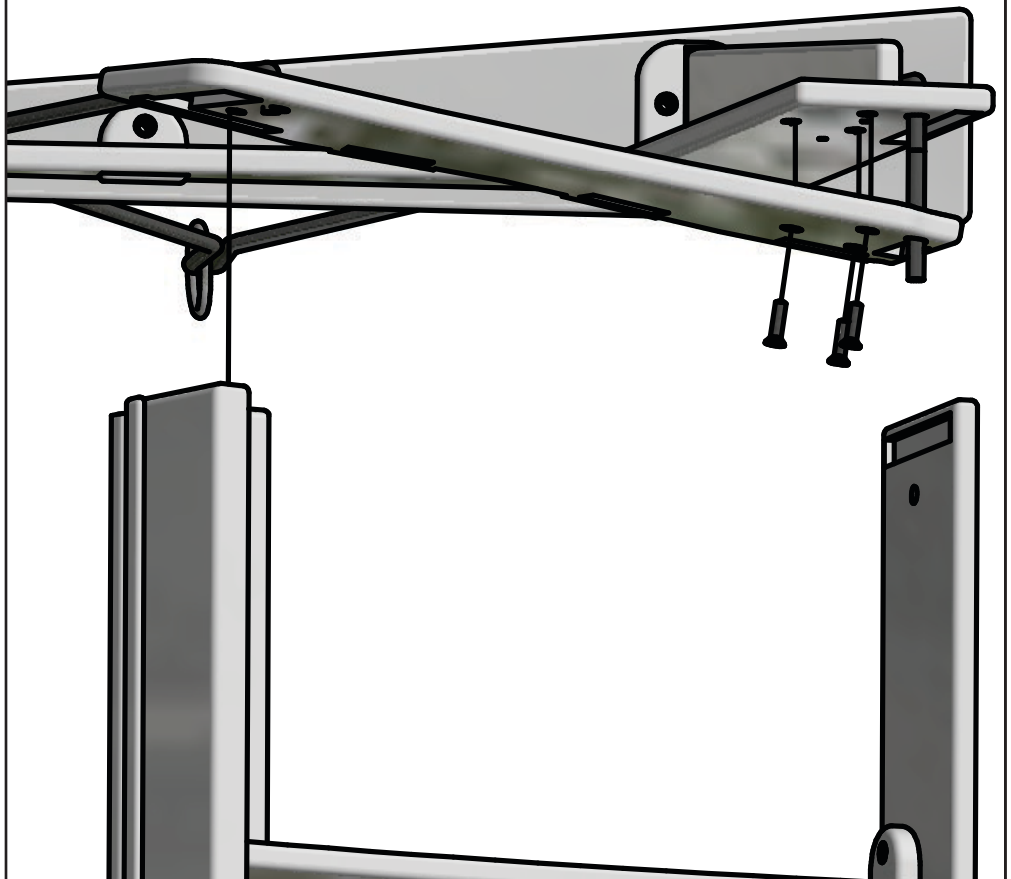
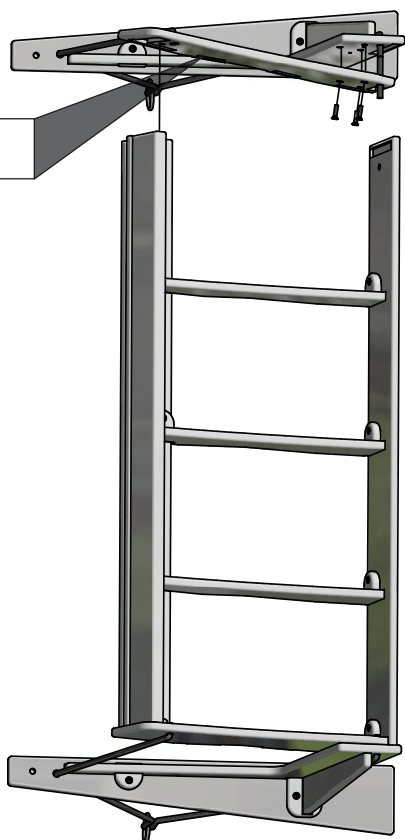


6

RIGHT SIDE 1x



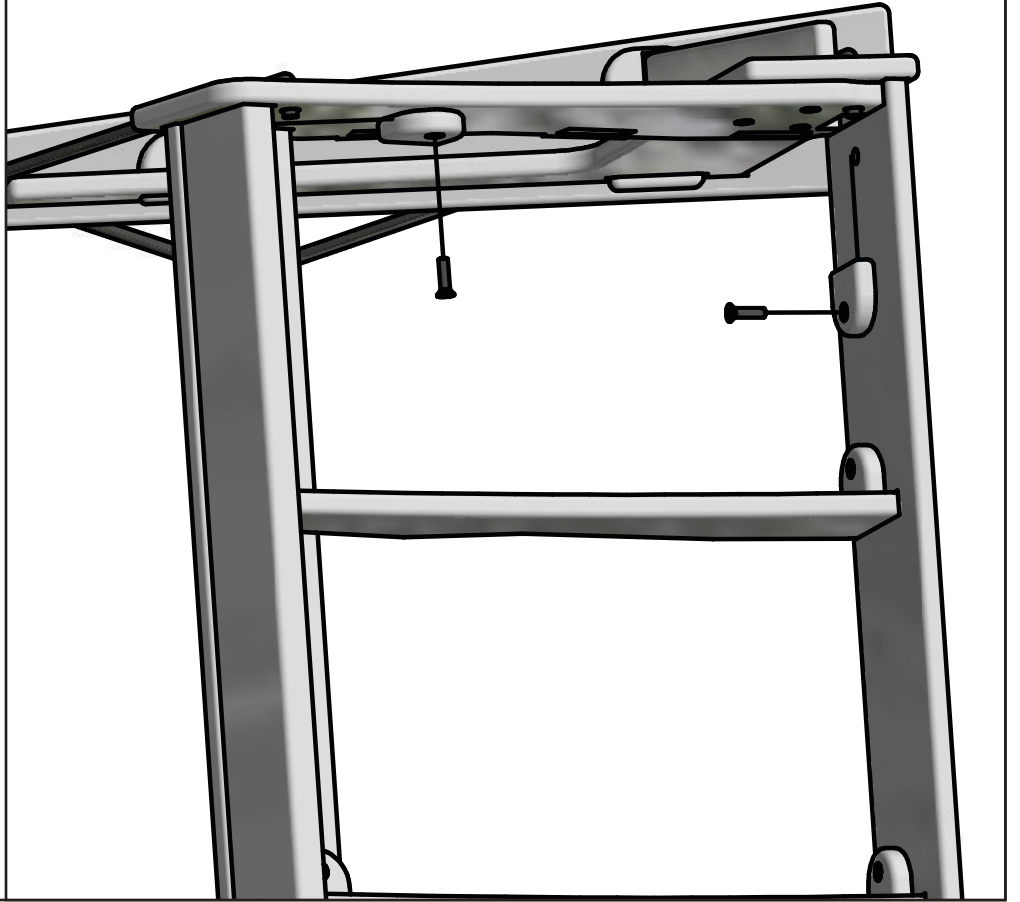
1"  
3x



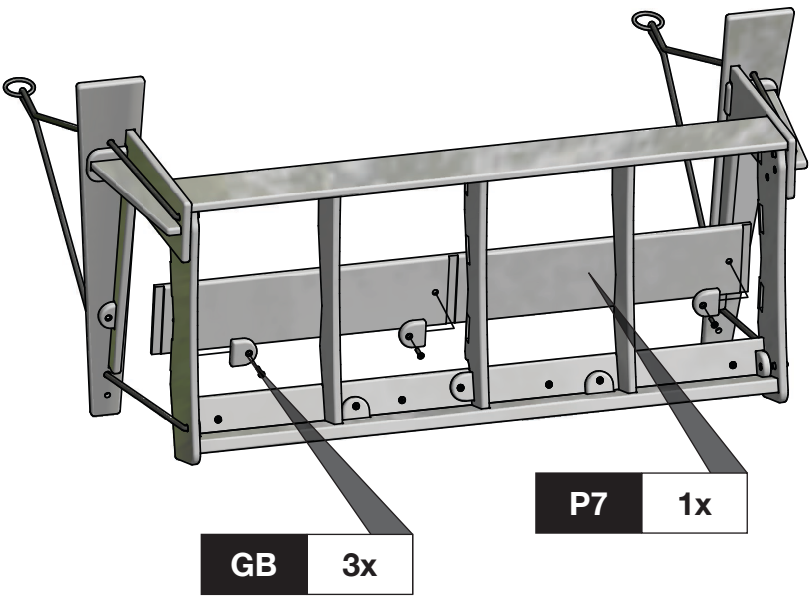
7



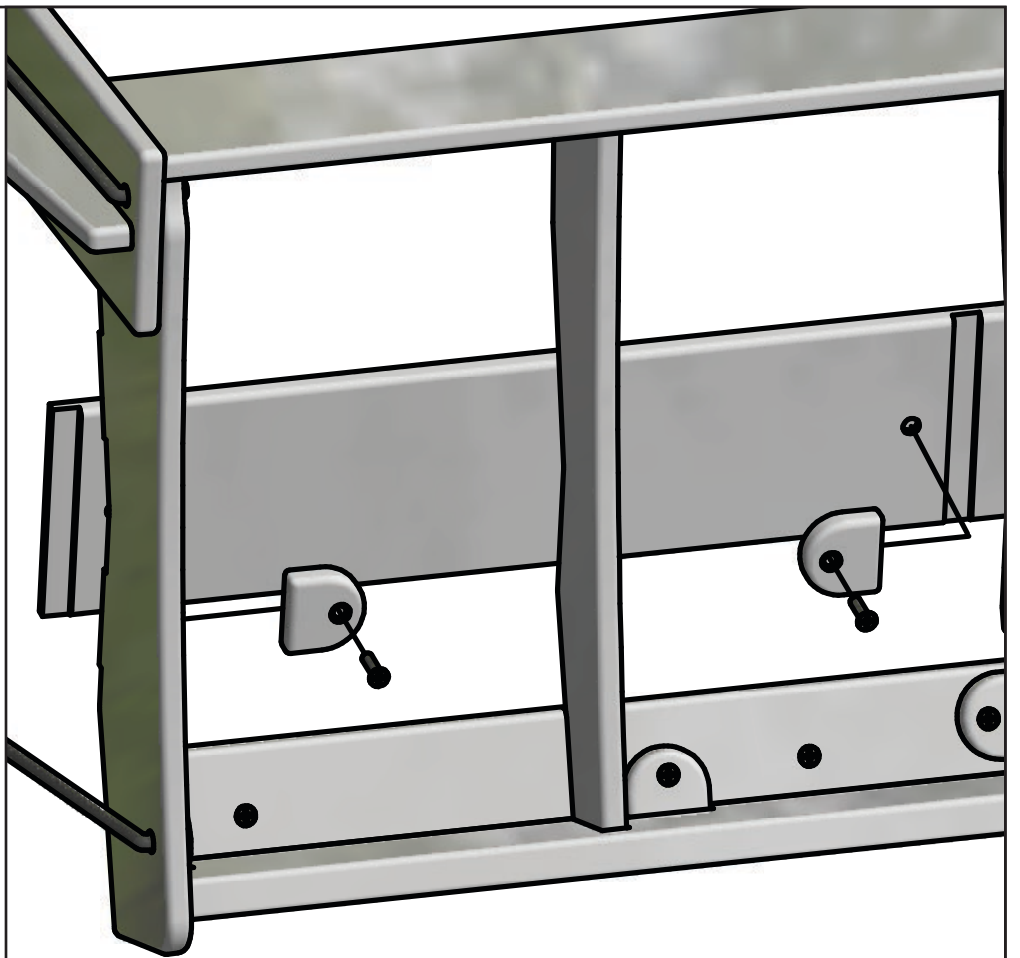
1"  
2x



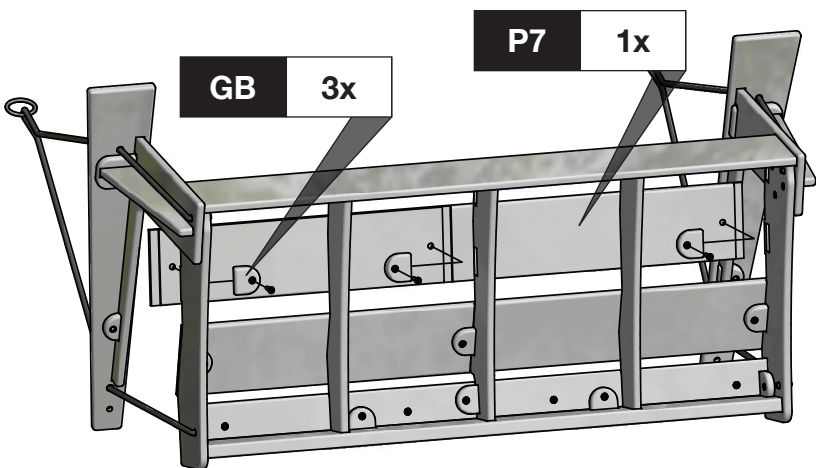
8



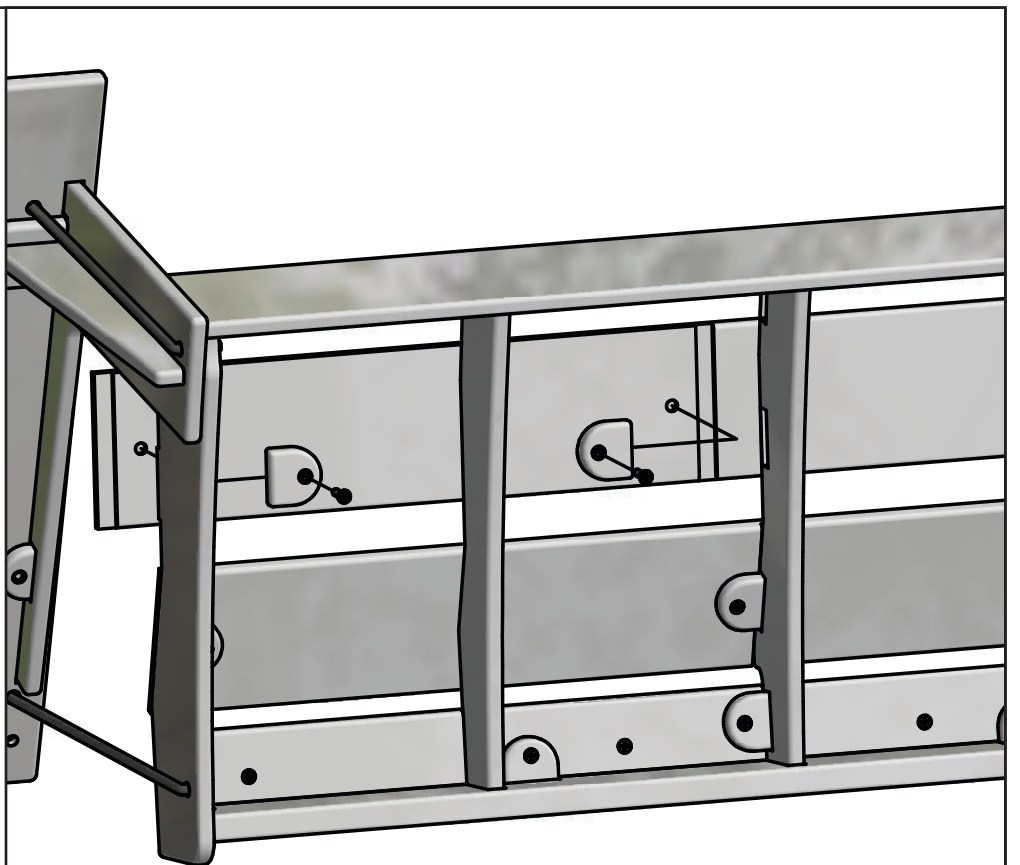
1"  
3x



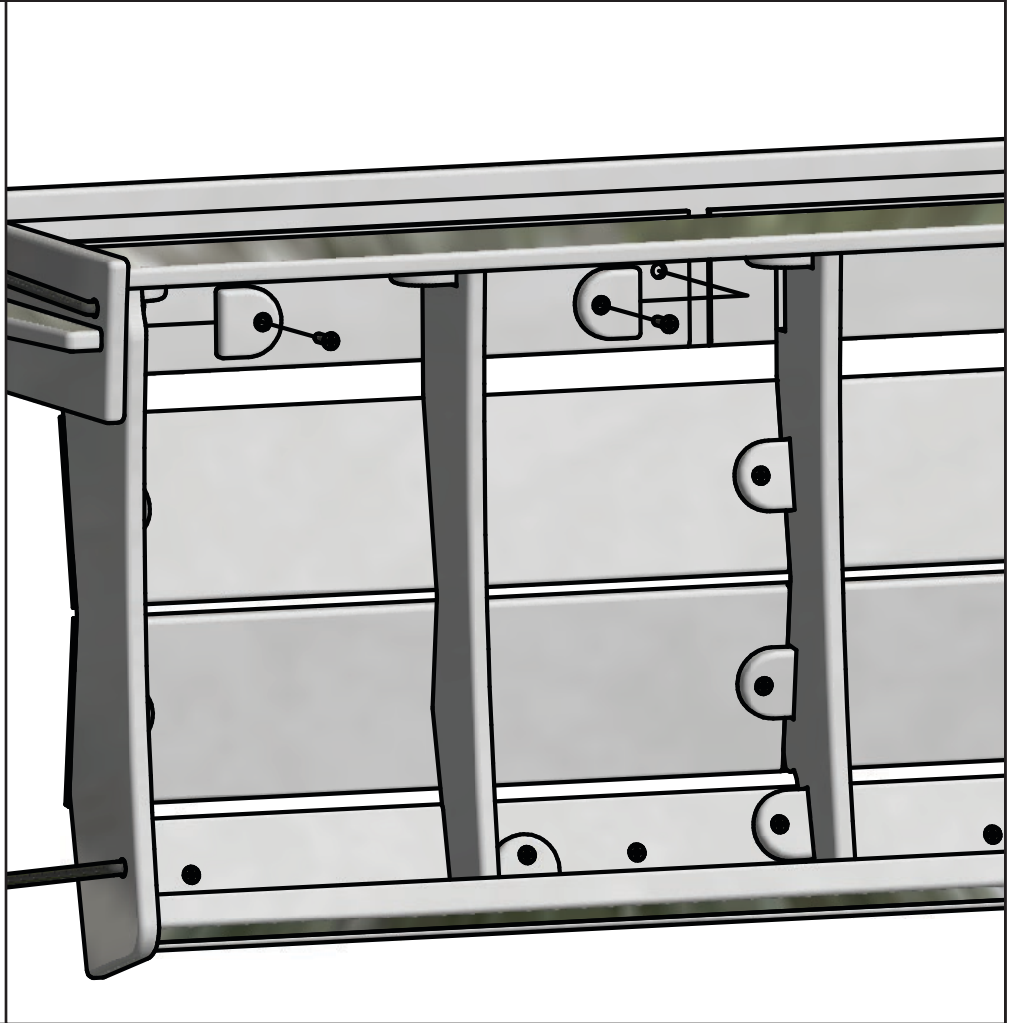
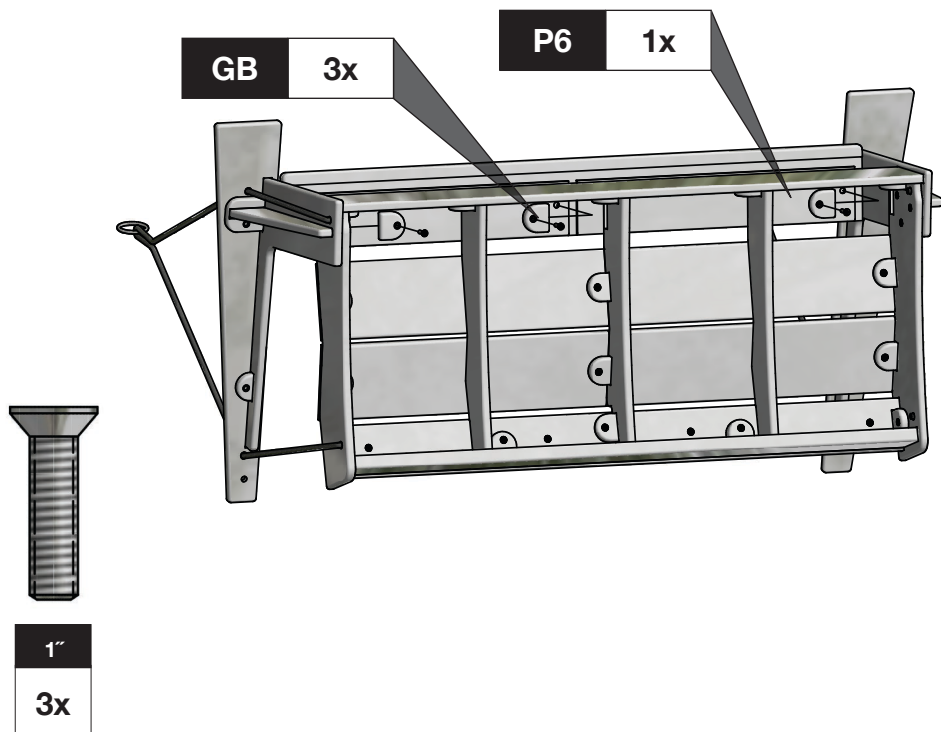
9



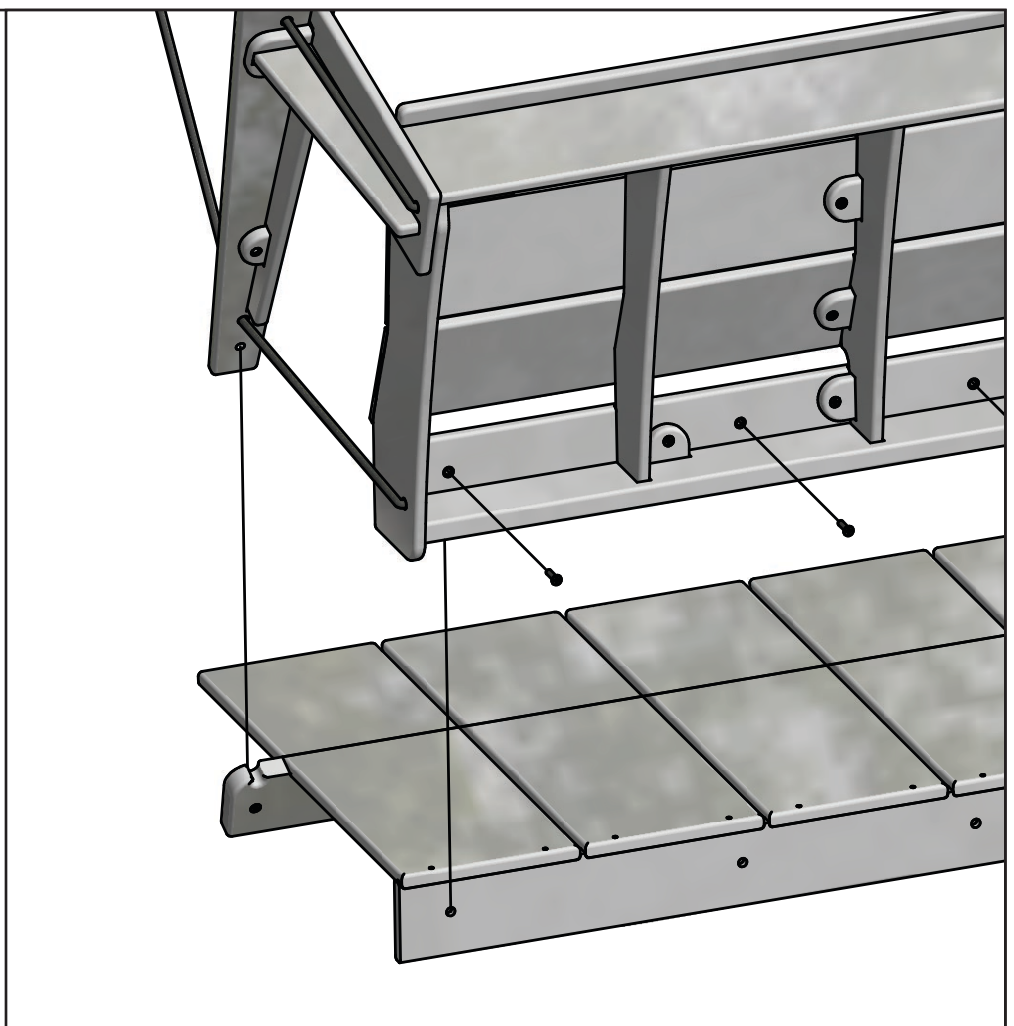
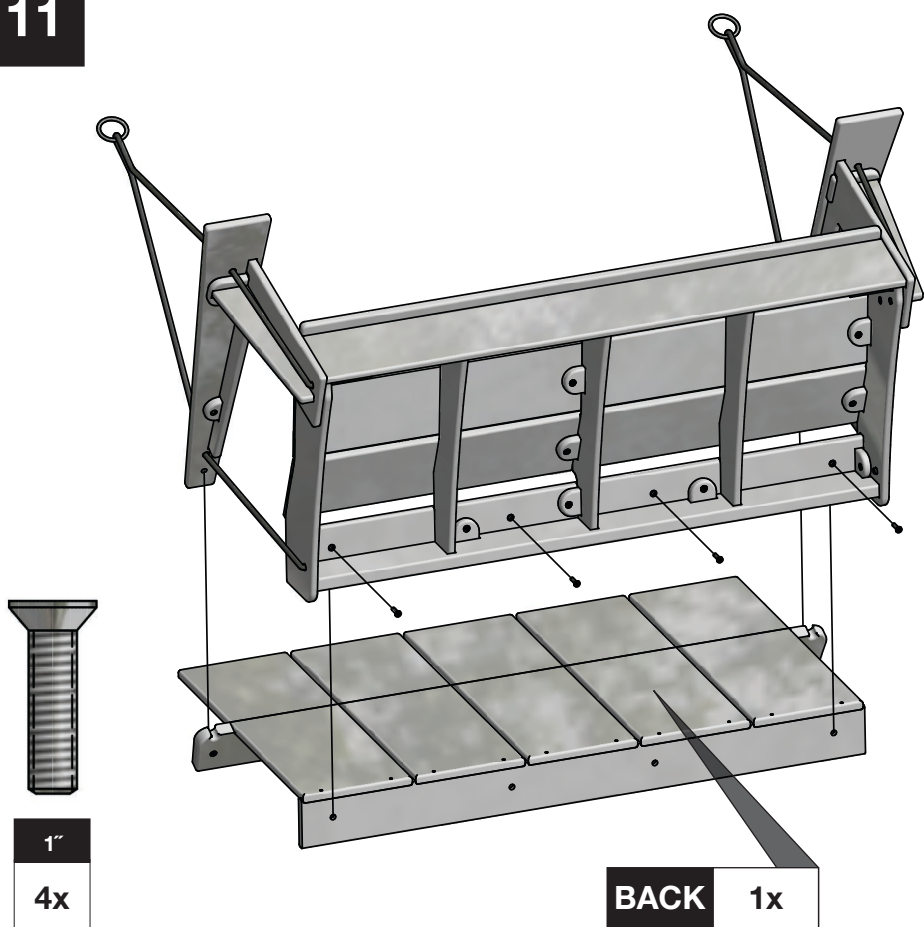
1"  
3x



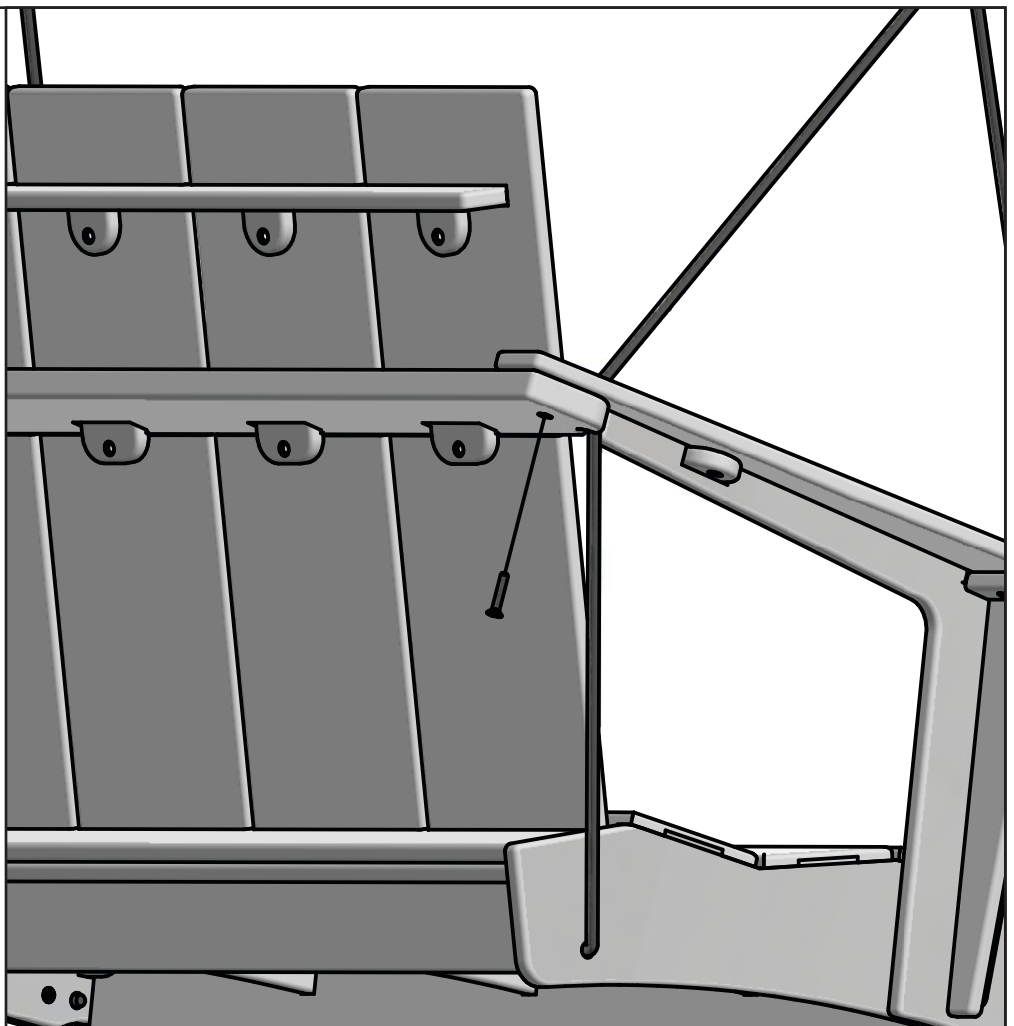
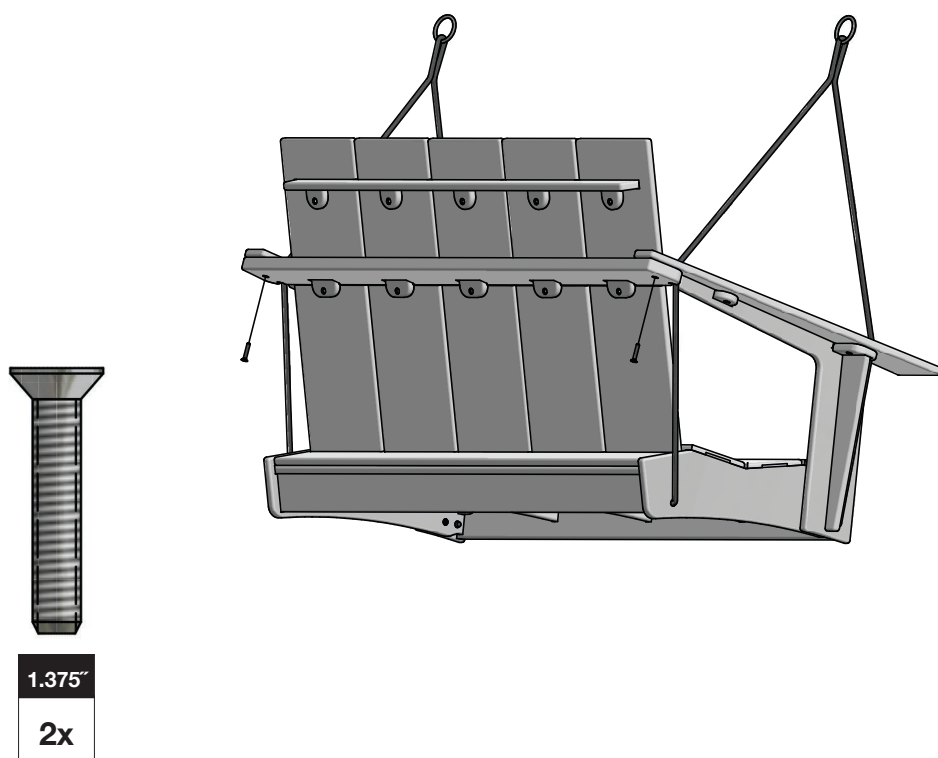
10



11



12



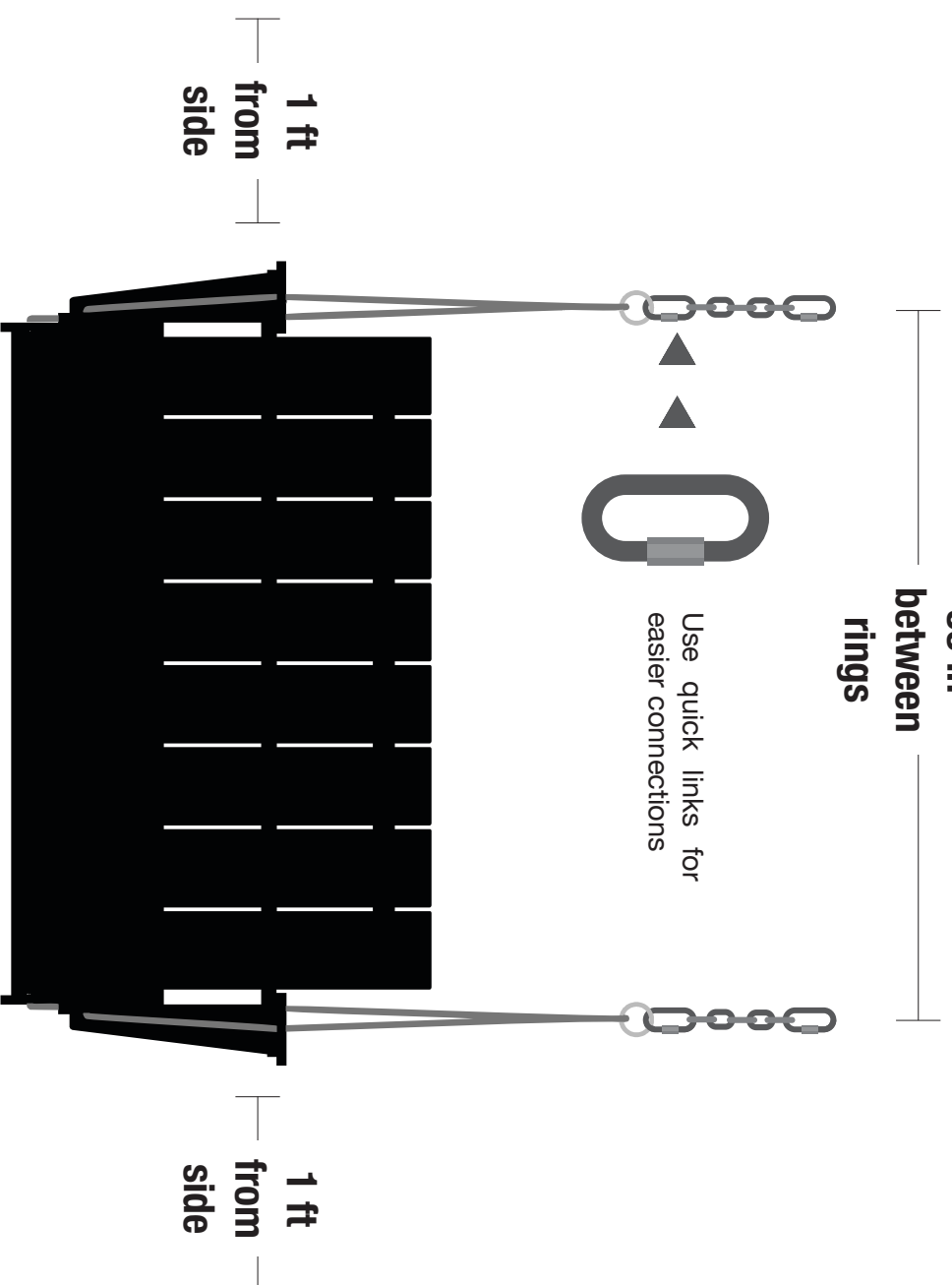
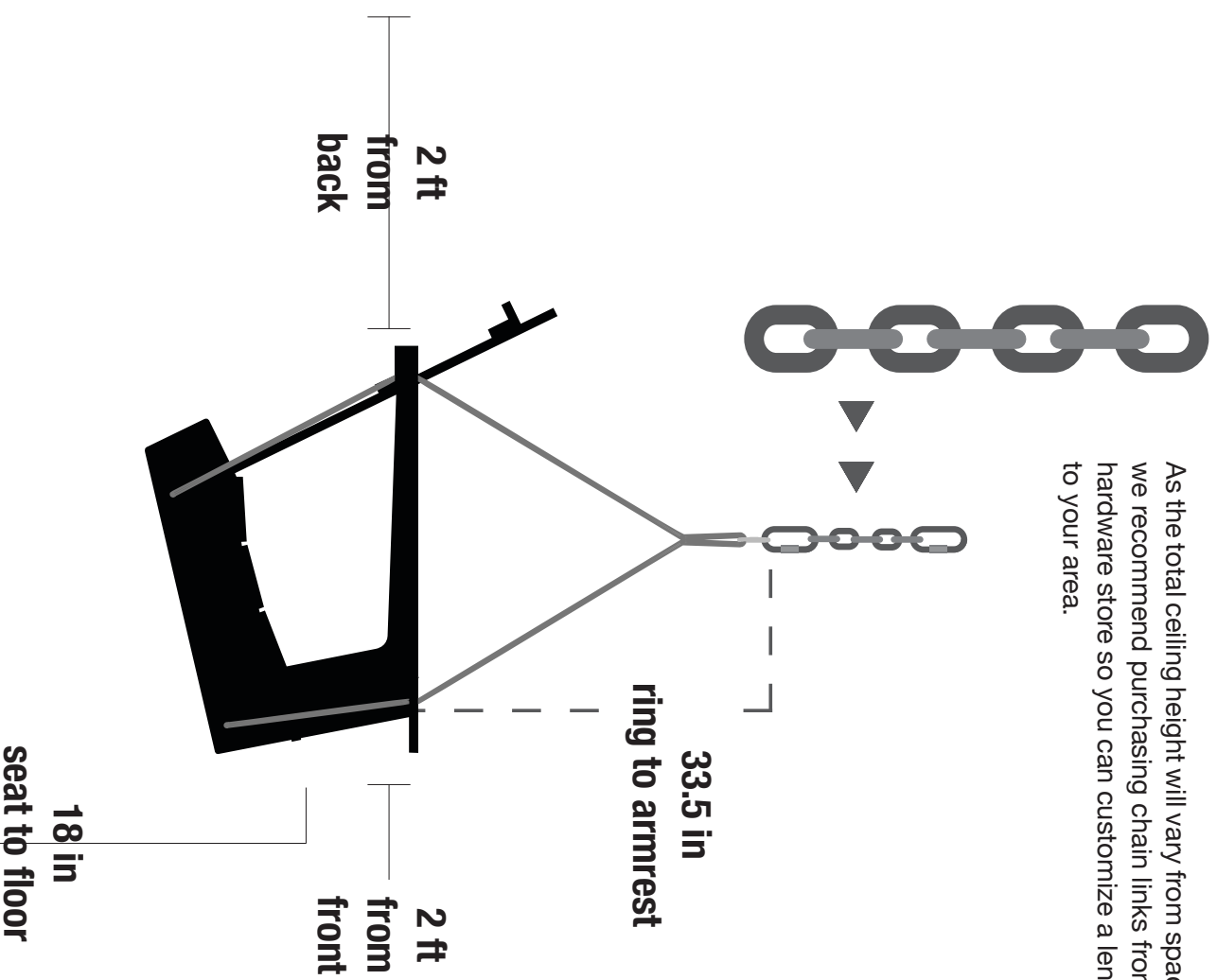
# EMMET PORCH SWING

## SWING HANGING SUGGESTIONS

loll designs.com | 1-877-740-3387

*It is the responsibility of the end user to mount their swing securely.*

As the total ceiling height will vary from space to space, we recommend purchasing chain links from your local hardware store so you can customize a length suitable to your area.



In general, we recommend approximately a 2-ft minimum clearance in the back and front, and a foot on either side. As far as the seat height, we recommend it to be approximately 18" from the ground, but that can be a general approximation, due to each specific user.

Check that the swing hangs level. Use a level on the swing seat for best measurement.