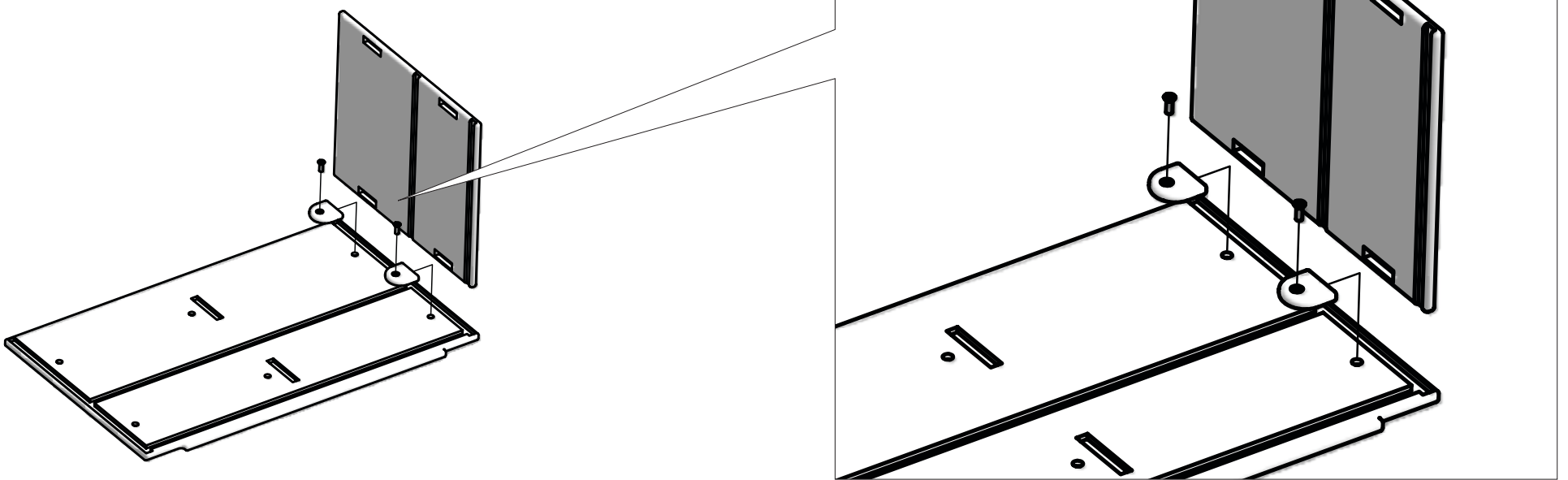


ASSEMBLY INSTRUCTIONS

* It is very important that you finger tighten all bolts into inserts to ensure that you do not cross-thread bolts and inserts before tightening. It will also be easier if you wait to tighten bolts until you have all bolts installed and the piece completely assembled. This will allow for more movement of individual pieces and help in aligning holes with inserts. Use the Allen Tool provided to finish tighten bolt until snug.

1 ATTACH SIDE

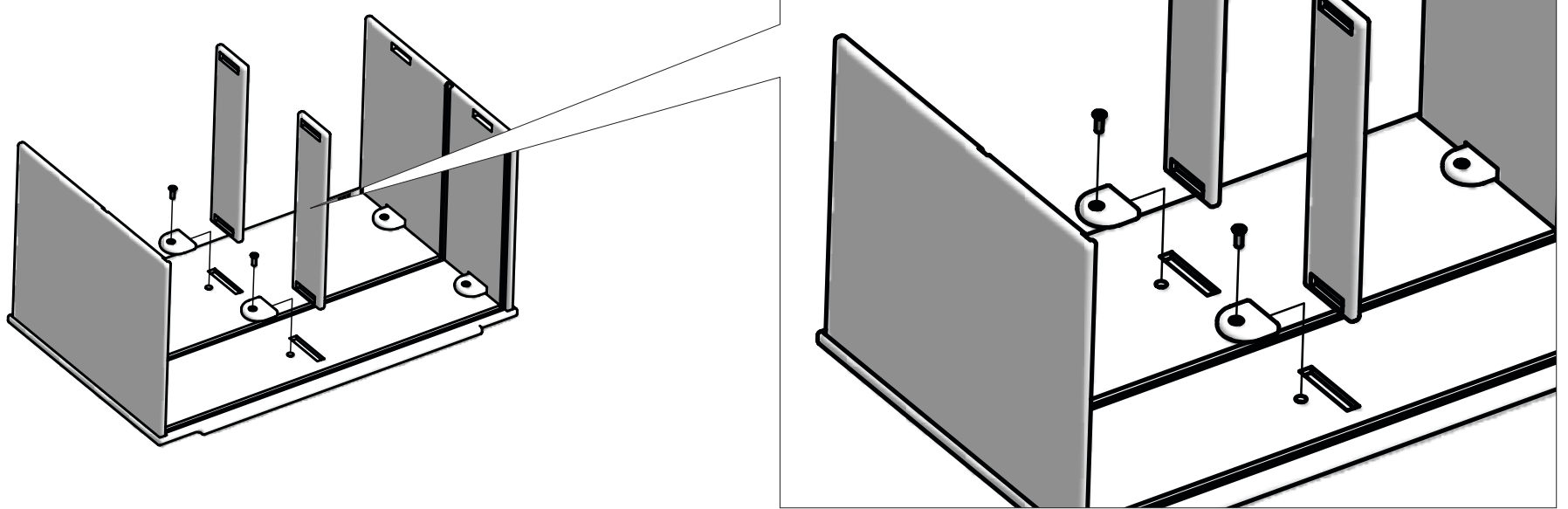


*Please read **Assembly Tips** before beginning assembly.

Insert End into the Side's groove track cut out so that the End and Sides horizontal cut outs line up. Place Blocks G into the Ends pocket cut outs, insert bolts through the blocks into the Side's threaded holes, and finger tighten. Repeat for opposite End.

- Single Container Assembly: Proceed to Step 3.

2 ATTACH RIBS (double, triple, skinny, quad & quint)



Fit short edge of Rib into Side's center pocket cut outs with cut out facing same side as the Side's threaded hole. Place Blocks G into the Ribs pocket cut outs, insert bolts through the blocks into the Side's threaded holes, and finger tighten.

DOUBLE

Ribs: 2

TRIPLE/SKINNY

Ribs: 4

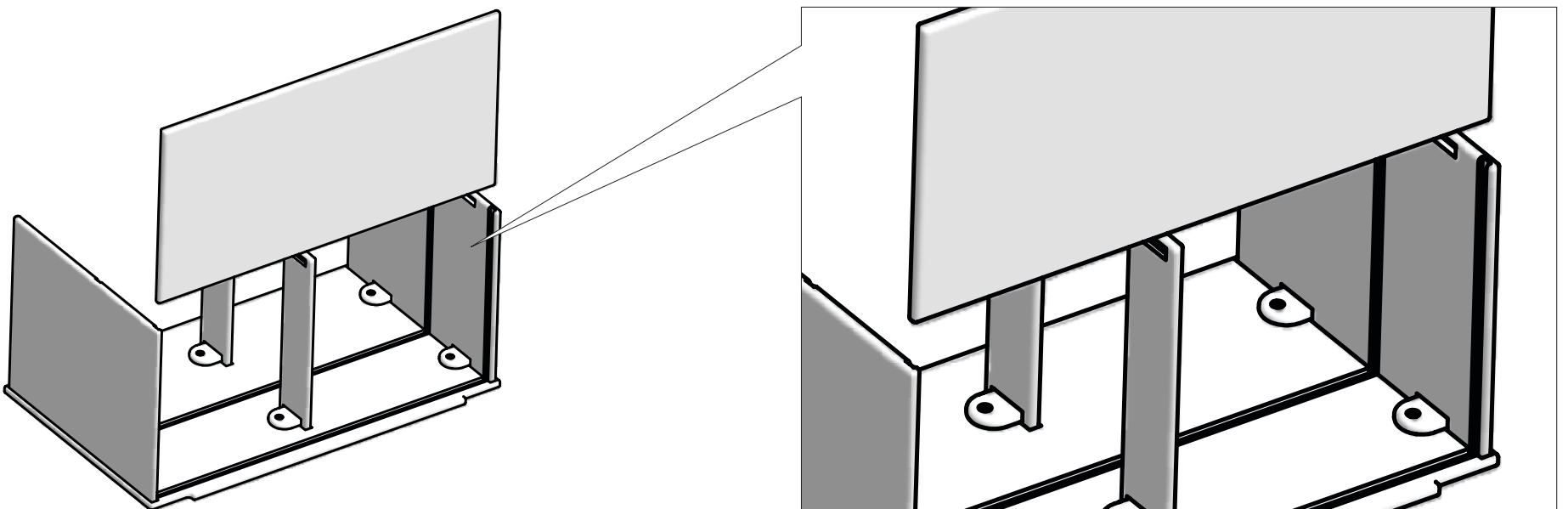
QUAD

Ribs: 6

QUINT

Ribs: 8

3 ATTACH FLOOR



Slide Floor into End's groove track cut outs and into the Side's groove track cut out (Floor can be placed in middle track to save dirt). Attach second Side using steps 1 & 2.

*Using provided wrench securely tighten all bolts.



5 YR WARRANTY
 Loll Designs strives to build long-term relationships based on confidence and trust with our customers. We sit beside, on top, and beneath the quality of our fine furniture and will make things right if you are not completely satisfied with your purchase. Loll Designs hereby guarantees that the piece will be of good quality and workmanship, free from faults and defects. Loll warrants that all components will not fail, under normal use, for five years from the year mark on the piece or the date of purchase. *For commercial orders the warranty is three years.

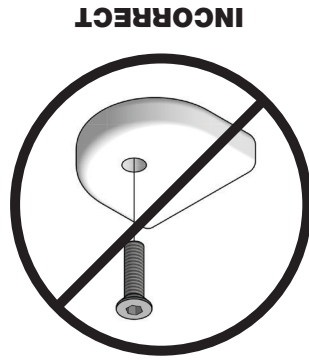
PRODUCT CARE
 Your new Loll furniture is a no maintenance product. It is fade resistant and you'll never need to paint or stain it and it can be left outside all year regardless of the season. It will not rot, even if left standing in water; it's plastic. Nonetheless, we're pretty sure your Loll furniture will get a lot of use and will at some point need cleaning. We recommend a garden hose and incorporating a soft bristle brush. Adding a tablespoon or two of your favorite eco-friendly soap to the wash will get everything squeaky clean! Mineral deposits left over from hard water can be removed with a solution of vinegar and water.

ASSEMBLY INSTRUCTIONS & PRODUCT INFO:

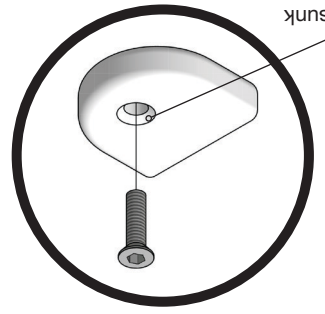
INSTRUCTIONS FOR:
 MONDO SINGLE
 MONDO DOUBLE
 MONDO TRIPLE
 SKINNY
 MONDO QUAD
 MONDO QUINT




Locate the box marked "Tool Included" before beginning assembly.



INCORRECT



CORRECT

Countersunk Hole

Insert bolts through countersunk hole side of blocks as shown below.

BLOCK & BOLT INSTALLATION

*** Please Recycle the BOX and paper packaging.*

To avoid damaging furniture perform the assembly of your Loll furniture on a clean soft surface like a blanket, carpet, or the flattened cardboard box the furniture was shipped in. Components should not be unnecessarily forced together! Plastic is flexible and you may need to persuade the pieces to align them properly. If it seems something isn't fitting together you likely have it wrong and you should reread the instructions to ensure you are aligning the proper components. If your piece of furniture requires "Blocks" for assembly one side may have protective film on it. This surface is hidden after assembly so the film can remain on the block or removed. Use a Cordless Screw Gun if you have one and know how to use it. Set the clutch setting at a medium torque. We do not recommend using a corded electric drill without a clutch to install and tighten bolts in inserts as you can easily damage the product. All bolts come standard with a thread coating to reduce bolts loosening after assembly while still allowing removal and reuse of the bolt. Start all bolts by hand, with the Allen Key, or the Loll Tool and tighten firmly until parts are drawn tight together and you can't muscle the bolt any tighter, its virtually impossible to over tighten by hand. Watch the assembly videos at www.lollidesigns.com/videos for even more information and visual aids. If you have more questions please contact your Loll Sales Associate or Customer Service for support at 877.740.3387.



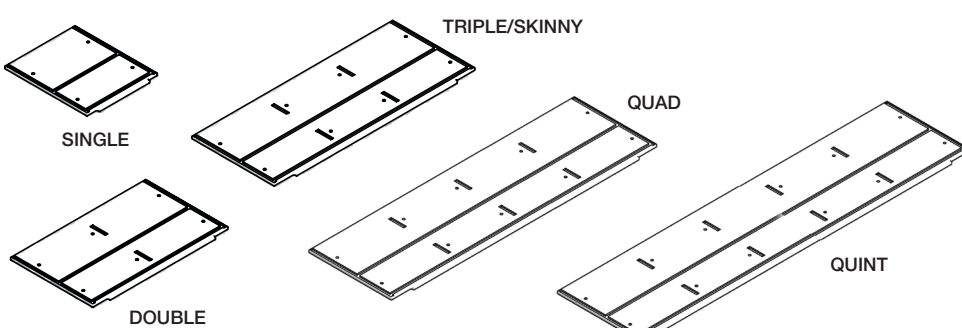
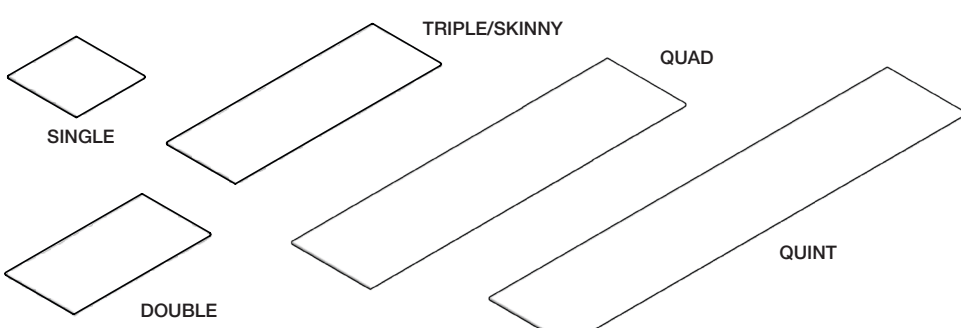
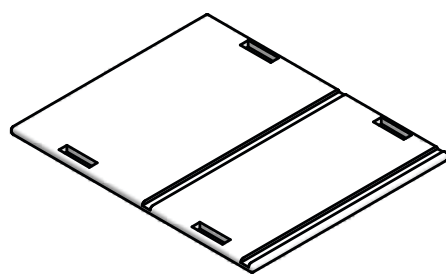
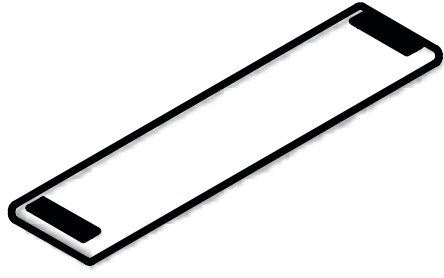

ASSEMBLY TIPS

**Please read before beginning assembly!*
 To avoid damaging furniture perform the assembly of your Loll furniture on a clean soft surface like a blanket, carpet, or the flattened cardboard box the furniture was shipped in. Components should not be unnecessarily forced together! Plastic is flexible and you may need to persuade the pieces to align them properly. If it seems something isn't fitting together you likely have it wrong and you should reread the instructions to ensure you are aligning the proper components. If your piece of furniture requires "Blocks" for assembly one side may have protective film on it. This surface is hidden after assembly so the film can remain on the block or removed. Use a Cordless Screw Gun if you have one and know how to use it. Set the clutch setting at a medium torque. We do not recommend using a corded electric drill without a clutch to install and tighten bolts in inserts as you can easily damage the product. All bolts come standard with a thread coating to reduce bolts loosening after assembly while still allowing removal and reuse of the bolt. Start all bolts by hand, with the Allen Key, or the Loll Tool and tighten firmly until parts are drawn tight together and you can't muscle the bolt any tighter, its virtually impossible to over tighten by hand. Watch the assembly videos at www.lollidesigns.com/videos for even more information and visual aids. If you have more questions please contact your Loll Sales Associate or Customer Service for support at 877.740.3387.

DAMAGED PRODUCT

Sometimes accidents occur. Please inspect your Loll furniture when you receive it to make sure that it has not been damaged during shipping. If damage has occurred please take digital pictures of the damaged furniture and the box it was shipped in, and email them to sales@lollidesigns.com or call Customer Service using our toll free number: 877.740.3387, ext. 1. The damage will be assessed and you will be contacted with a solution to the problem. It may be helpful to save all of your packaging material in case a return is necessary.

INCLUDED PARTS

SIDE		COUNT	FLOOR					COUNT																	
		2						1																	
END		COUNT	RIB					COUNT																	
		2	<table border="1"> <tr> <th>COUNT</th> <th>COUNT</th> <th>COUNT</th> <th>COUNT</th> <th>COUNT</th> </tr> <tr> <td>0</td> <td>2</td> <td>4</td> <td>6</td> <td>8</td> </tr> <tr> <td>SINGLE</td> <td>DOUBLE</td> <td>TRPL/SKNY</td> <td>QUAD</td> <td>QUINT</td> </tr> </table> 					COUNT	COUNT	COUNT	COUNT	COUNT	0	2	4	6	8	SINGLE	DOUBLE	TRPL/SKNY	QUAD	QUINT			
COUNT	COUNT	COUNT	COUNT	COUNT																					
0	2	4	6	8																					
SINGLE	DOUBLE	TRPL/SKNY	QUAD	QUINT																					
BLOCK G	COUNT	COUNT	COUNT	COUNT	COUNT	7/8" BOLT				COUNT															
	8	12	16	20	24					1															
	SINGLE	DOUBLE	TRPL/SKNY	QUAD	QUINT	<table border="1"> <tr> <th>COUNT</th> <th>COUNT</th> <th>COUNT</th> <th>COUNT</th> <th>COUNT</th> </tr> <tr> <td>8</td> <td>12</td> <td>16</td> <td>20</td> <td>24</td> </tr> <tr> <td>SINGLE</td> <td>DOUBLE</td> <td>TRPL/SKNY</td> <td>QUAD</td> <td>QUINT</td> </tr> </table>				COUNT	COUNT	COUNT	COUNT	COUNT	8	12	16	20	24	SINGLE	DOUBLE	TRPL/SKNY	QUAD	QUINT	SINGLE W/LID
COUNT	COUNT	COUNT	COUNT	COUNT																					
8	12	16	20	24																					
SINGLE	DOUBLE	TRPL/SKNY	QUAD	QUINT																					
