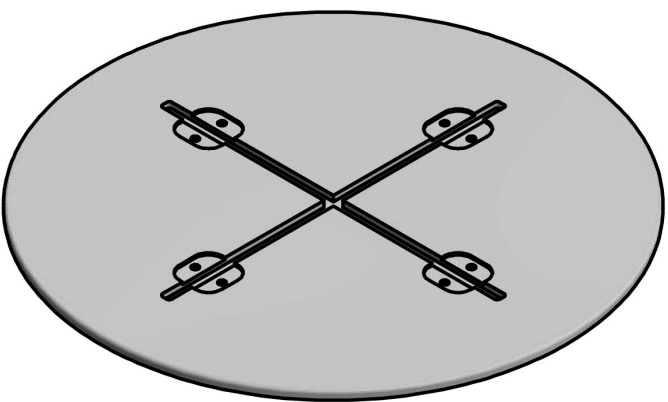


INCLUDED PARTS



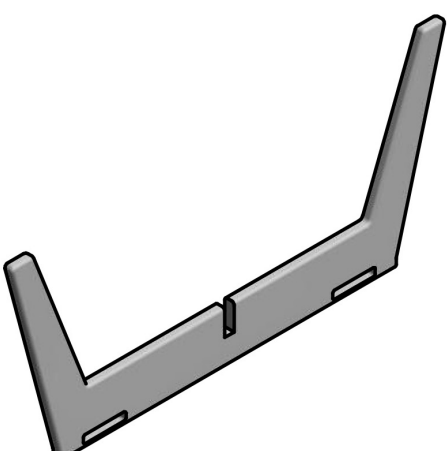
P3

1x



P1

1x



P2

1x



P4

4x



1"
FLAT
HEAD

8x

*Bolts shown actual size.

ASSEMBLY TIPS

**Please read before beginning assembly!*

To avoid damaging furniture perform the assembly of your Loll furniture on a clean soft surface like a blanket, carpet, or the flattened cardboard box the furniture was shipped in. Components should not be unnecessarily forced together! Plastic is flexible and you may need to persuade the pieces to align them properly. If it seems something isn't fitting together you likely have it wrong and you should reread the instructions to ensure you are aligning the proper components. You can also contact your Loll Sales Associate or Customer Service for support at 877.740.3387.

Don't Use a Cordless Screw Gun: It is not necessary and we do not recommend using a screw gun or drill to install and tighten bolts in inserts. Finger tighten all bolts first and then use the Allen Tool provided to finish tightening all bolts after the piece is assembled.

**** Please recycle the BOX and paper packaging.**

PRODUCT CARE

Your new Loll furniture is a no maintenance product. It is fade resistant and you'll never need to paint or stain it and it can be left outside all year regardless of the season. It will not rot, even if left standing in water; it's plastic. Nonetheless, we're pretty sure your Loll furniture will get a lot of use and will at some point need cleaning. We recommend a garden hose and incorporating a soft bristle brush. Adding a tablespoon or two of your favorite eco-friendly soap to the wash will get everything squeaky clean! Mineral deposits left over from hard water can be removed with a solution of vinegar and water.

DAMAGED PRODUCT

Sometimes accidents occur. Please inspect your Loll furniture when you receive it to make sure that it has not been damaged during shipping. If damage has occurred please take digital pictures of the damaged furniture and the box it was shipped in, and email them to sales@loll designs.com or call using our toll free number: 877.740.3387, ext. 1. The damage will be assessed and you will be contacted with a solution to the problem. It may be helpful to save all of your packaging material in case a return is necessary.

THE LOLL STORY

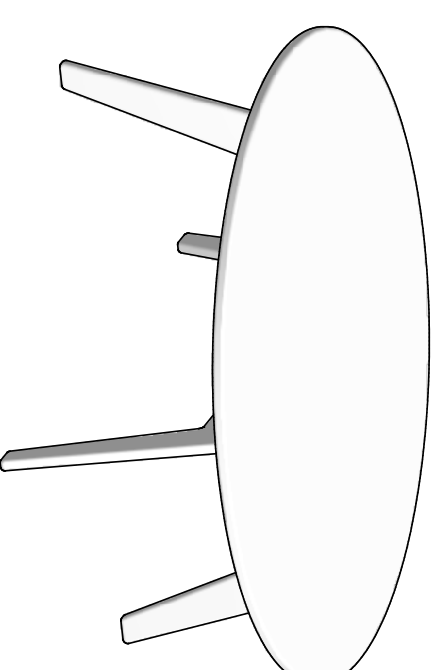
Loll's history begins with the 1997 inception of TrueRide, a design and build contractor specializing in custom municipal skateboarding parks. TrueRide's founders started with a commitment to environmental responsibility, and they found ways to repurpose leftover skate park material as Epicurean Cutting Surfaces (www.epicureans.com) and Loll Designs outdoor furniture (www.lolldesigns.com). After more than four years of perfecting design and construction Loll unveiled its first piece in November 2006, a modern version of the classic Adirondack chair. Since then, Loll has developed a full range of chairs, benches, and tables constructed with 100-percent recycled materials. Loll Designs' furniture is built with high-density polyethylene, a material used in many consumer products (more than 60 million tons is produced worldwide every year). Loll chooses to use a recycled HDPE sourced primarily from recycled milk jugs. All Loll pieces are designed to be modern, clean, and comfortable. Because they're not wood or metal, they withstand the elements with zero maintenance. Outdoor furniture should be for lolling around; not scraping, painting, or being moved inside for storage.

PRODUCT FEATURES

- **Recycled Plastic** The plastic used in Loll Designs furniture is reclaimed from post-consumer and post-industrial high density polyethylene (#2 plastic). Milk jugs are the primary source of this material.
- **Weatherproof** Leave Loll outdoors year round. Loll furniture is built to last and will not rot, decay, splinter or fade. Loll is held together with stainless steel fasteners and zinc coated inserts.
- **Replaceable Parts** If a part is damaged on your Loll chair it is possible to replace that specific piece. This reduces shipping costs and waste replacing your product. Plus the damaged piece can be recycled.
- **Maintenance Free** Loll Designs furniture never needs to be painted or stained. No seasonal storage required.
- **Made in the USA** Our manufacturing facility is located in Duluth, Minnesota.
- **Low Impact Manufacturing** Loll furniture is fabricated in a facility designed to reduce its impact on the local environment. Some of Loll's steps to reduce our manufacturing footprint include: Facility is a remediated industrial brownfield site; passive solar heated office space and naturally lit interiors; extensive industrial and office recycling programs; and the support of alternative energy.

ASSEMBLY INSTRUCTIONS & PRODUCT INFO:

NOVA 30 ROUND COCKTAIL TABLE



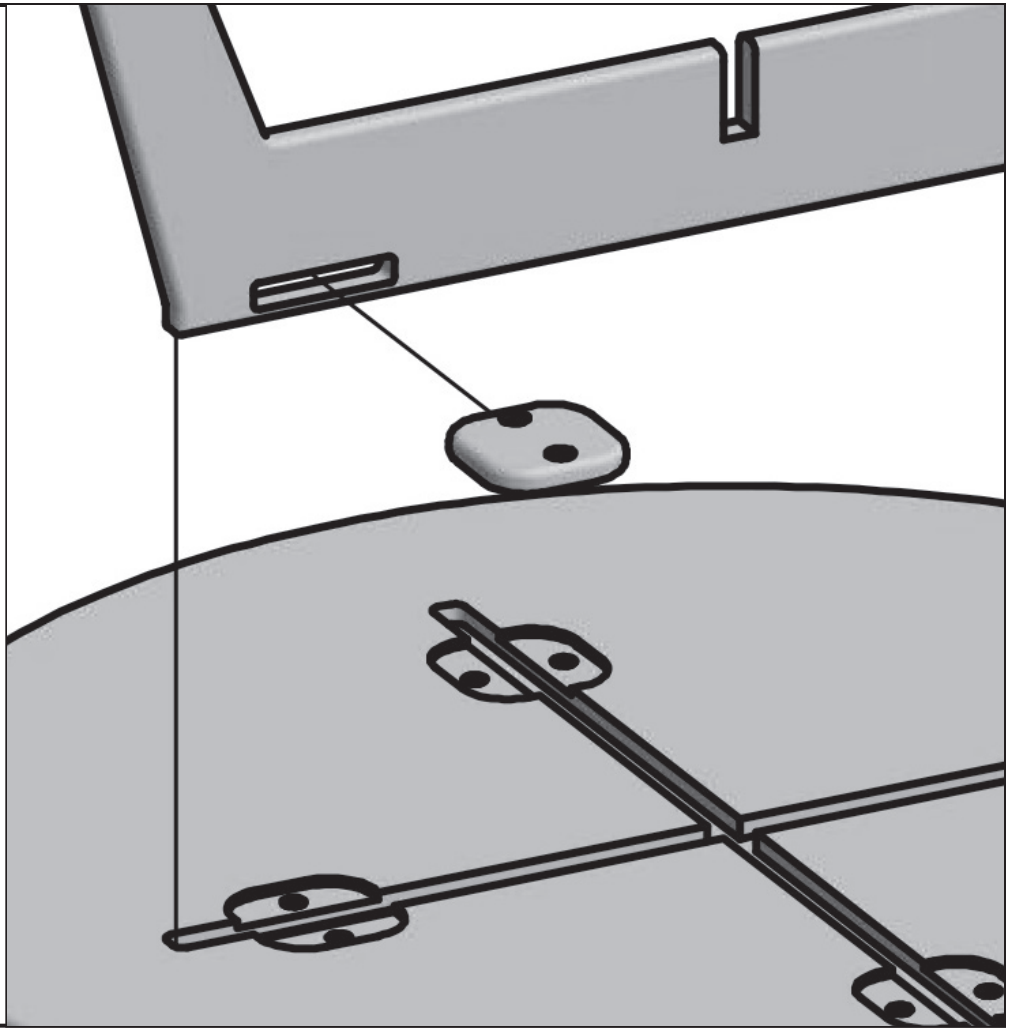
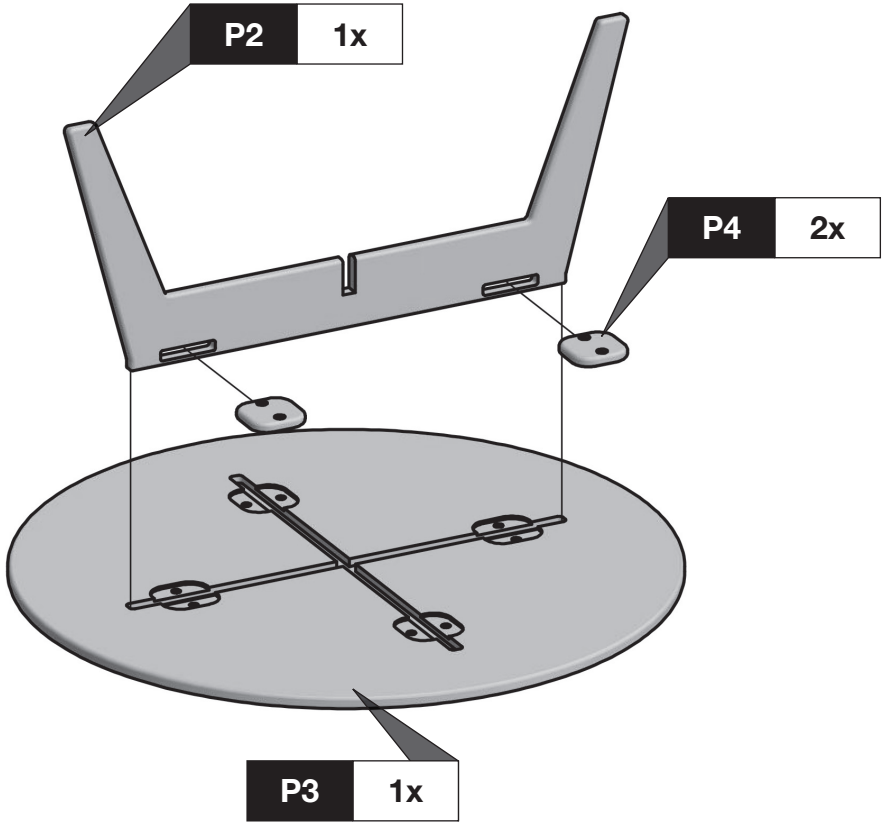
LOLL DESIGNS
5912 Waseca Street, Duluth, Minnesota 55807
lolldesigns.com | 877.740.3387

Room&Board

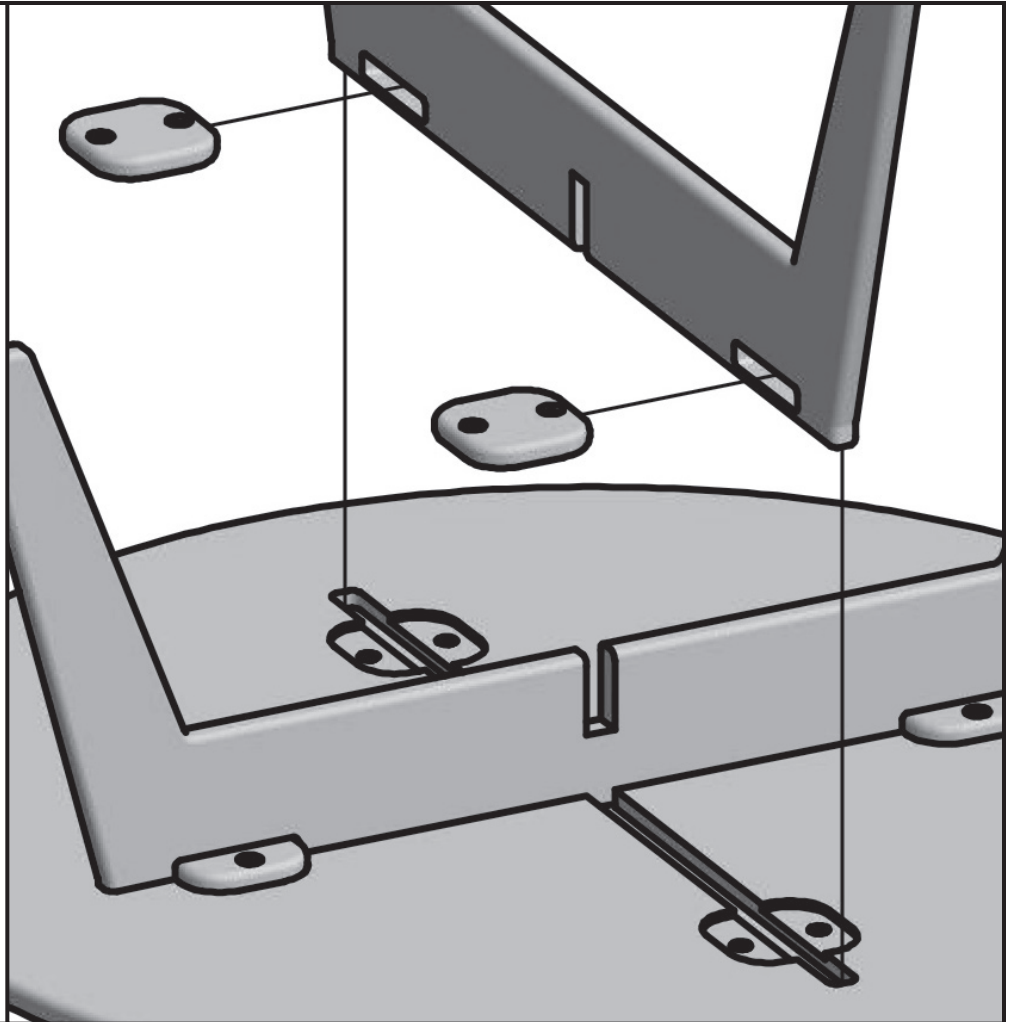
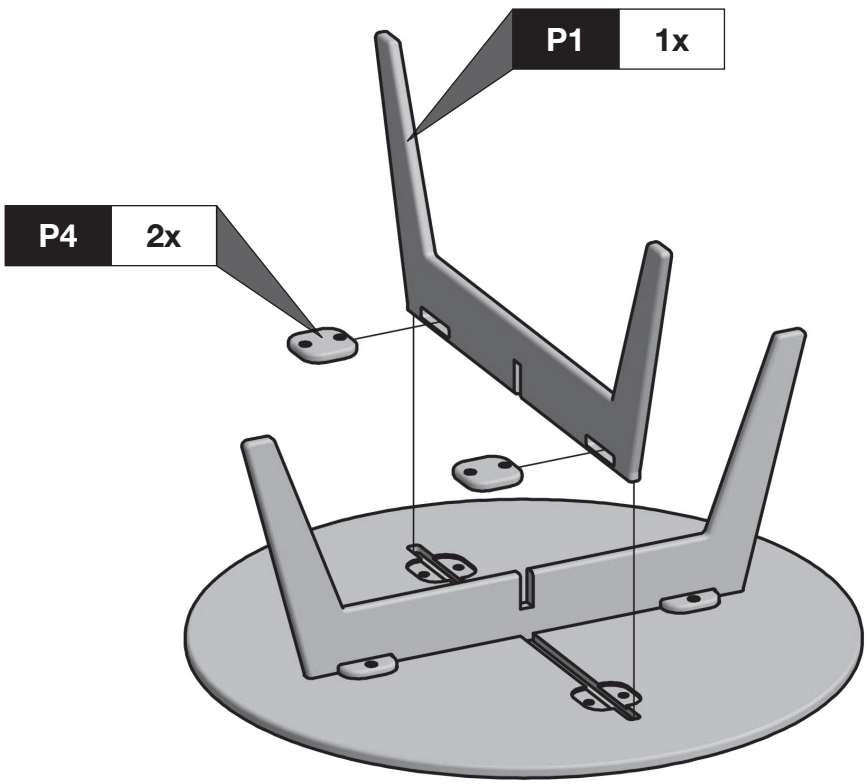
by:

LOLL
DESIGNS

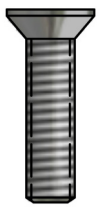
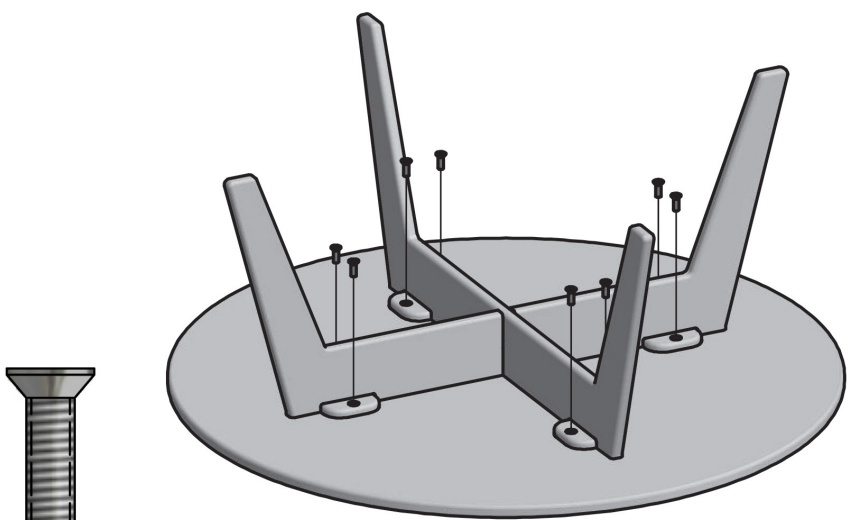
1



2



3



1"
FLAT
HEAD

8x

