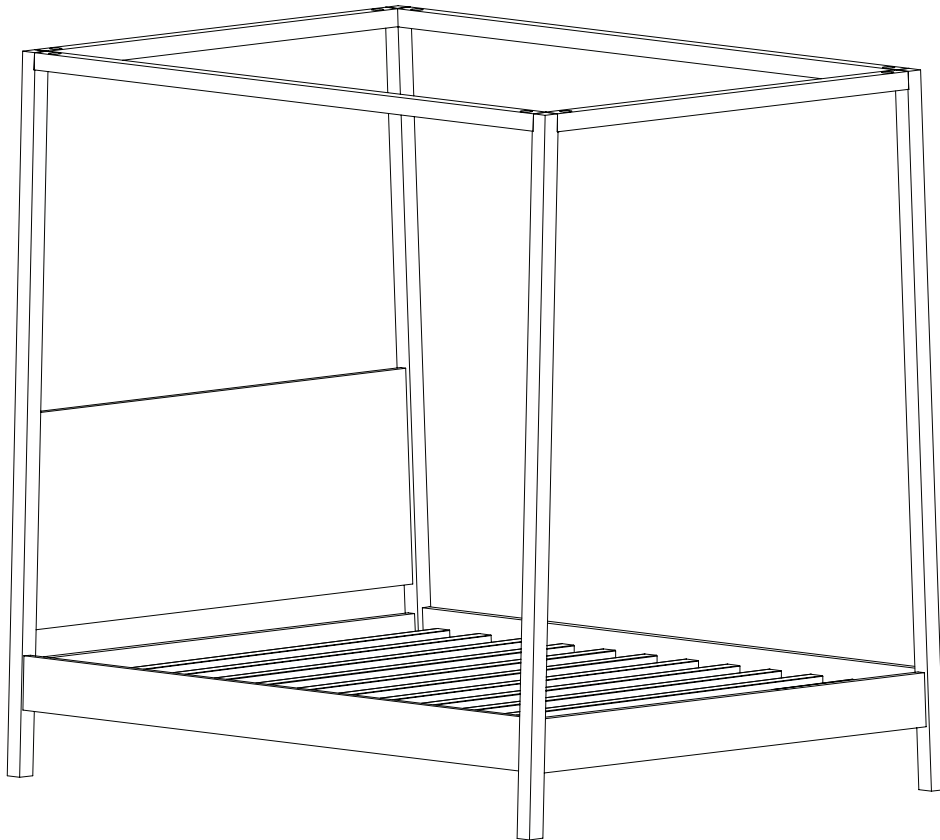


## HALE BED



### Recommended Tools and Materials

- Phillips screwdriver

**Note: We recommend completing the assembly of this bed with two people.**

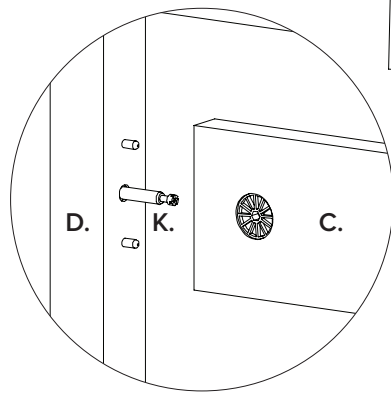
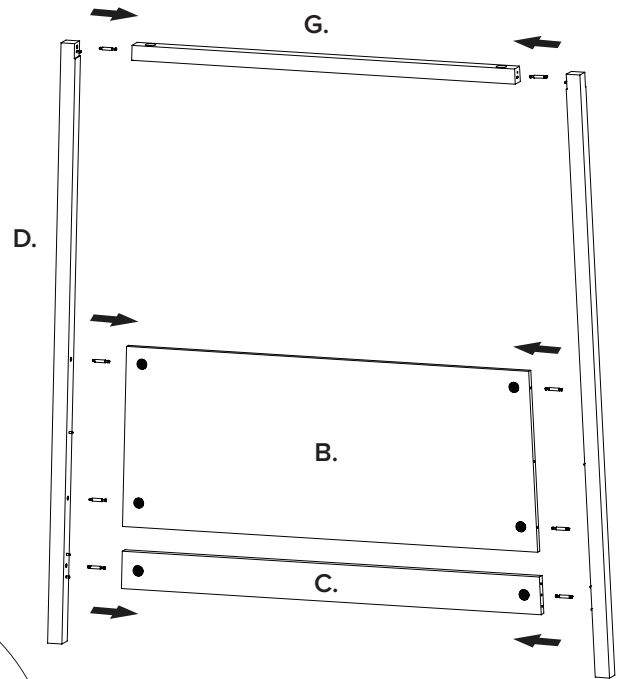
### This Product Includes

- |                       |                           |                         |
|-----------------------|---------------------------|-------------------------|
| A. Allen wrench       | E. Footboard              | I. Side rail (x2)       |
| B. Upper headboard    | F. Footboard leg (x2)     | J. Steel bed slats      |
| C. Lower headboard    | G. Short canopy rail (x2) | K. Cam lock bolts (x18) |
| D. Headboard leg (x2) | H. Long canopy rail (x2)  |                         |

1

Assemble the complete headboard by connecting the lower headboard, upper headboard and a short canopy rail to the two headboard legs.

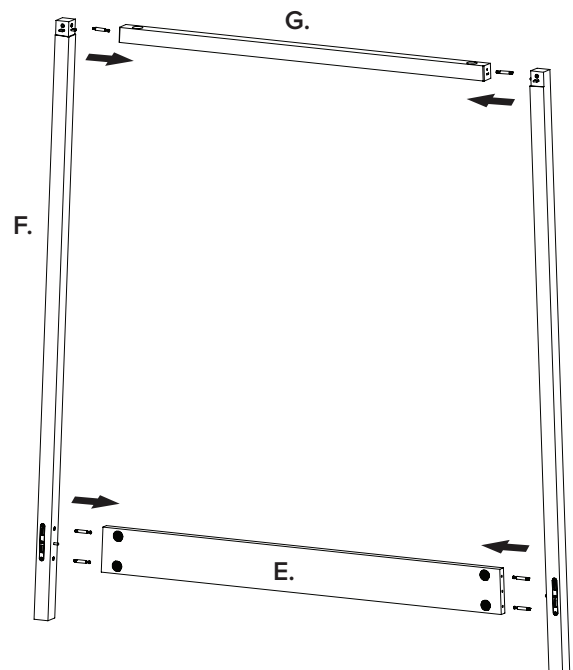
- a. Using your Phillips head screwdriver, install 8 of the included cam lock bolts in the threaded inserts on the legs.
- b. Wood dowels already installed in the legs correspond to the holes of the adjoining pieces.
- c. Use the included Allen wrench to tighten the cam locks.



2

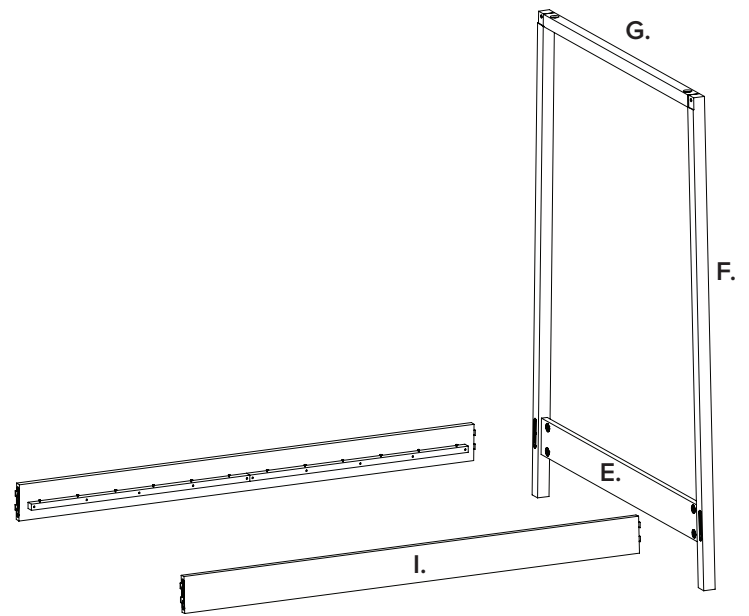
Assemble the complete footboard by connecting the footboard and a short canopy rail to the two footboard legs.

- a. Using your Phillips head screwdriver, install 6 of the included cam lock bolts in the threaded inserts on the legs.
- b. Wood dowels already installed in the legs correspond to the holes of the adjoining pieces.
- c. Use the included Allen wrench to tighten the cam locks.



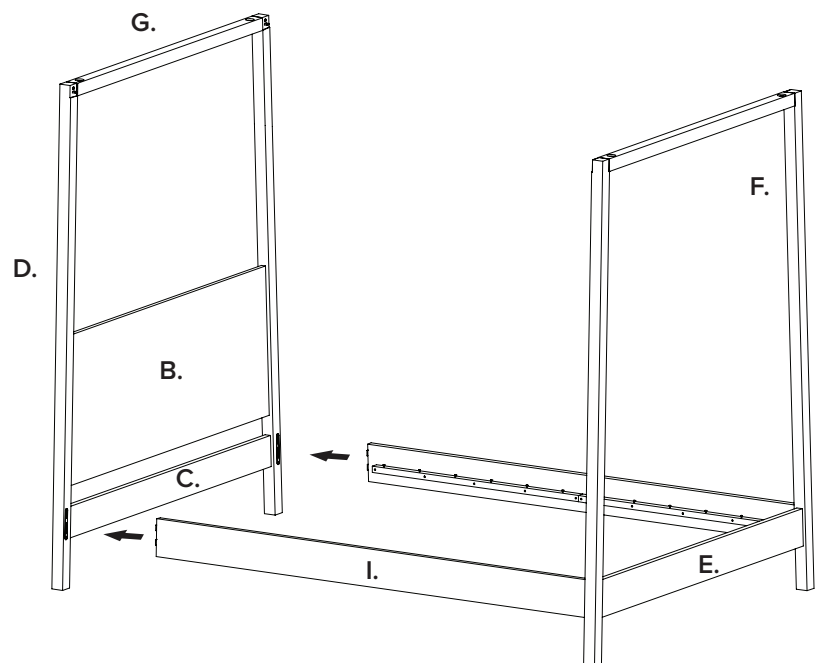
3

Attach the side rails to the footboard assembly by inserting the male end of a side rail bracket into the female end of a leg bracket. Push downwards to lock into place.



4

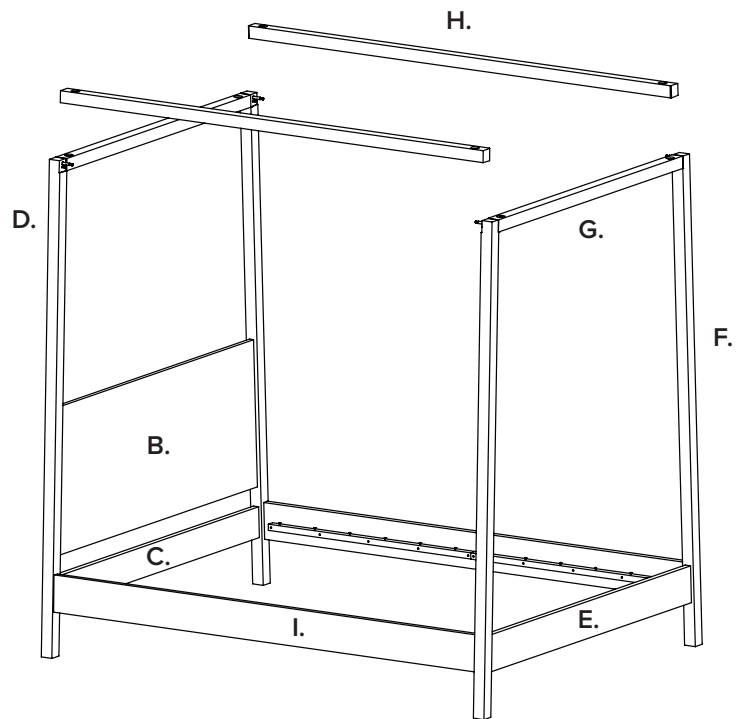
Connect the side rails to the headboard assembly by inserting the male end of a side rail bracket into the female end of a leg bracket. Push downwards to lock into place.



5

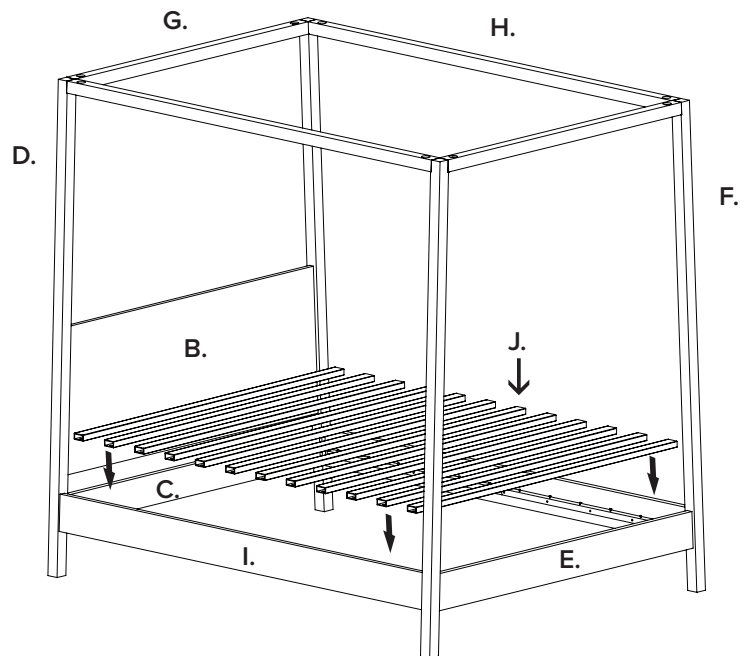
Attach the long canopy rails to the top of the bed.

- a. Using your Phillips head screwdriver, install 4 of the included cam lock bolts in the threaded inserts on the footboard assembly and headboard assembly.
- b. Wood dowels already installed in the headboard assembly correspond to the holes of the adjoining pieces.
- c. Use the included Allen wrench to tighten the cam locks.



6

Place each of the steel bed slats atop the corresponding screws in each side rail.



7

Double check all cam locks are fully tightened prior to laying mattress on bed.