

A GUIDE TO L-SHAPED DESKS



Portica L-shaped desk with white glass top.

L-Shaped desks are available in the following collections: Parsons, Portica, Pratt, and can also be configured using Parsons legs and Portica legs.



Parsons



Portica



Pratt



Parsons legs



Portica legs

THREE WAYS TO SHOP

ROOMANDBOARD.COM

Shop our complete collection 24 hours a day. You'll find design advice and all the sizes and colors we offer.

VISIT OUR STORES

Shop with a Design Associate who will help you choose the perfect pieces for your lifestyle.

800.301.9720

Call Shop Room & Board from Home. Our Design Associates answer questions and give suggestions to help you shop.

DESK SIZES

60 x 24



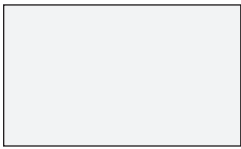
60 x 30



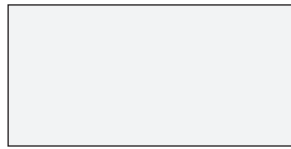
72 x 30



60 x 36



72 x 36



RETURN SIZES

36 x 18



48 x 24



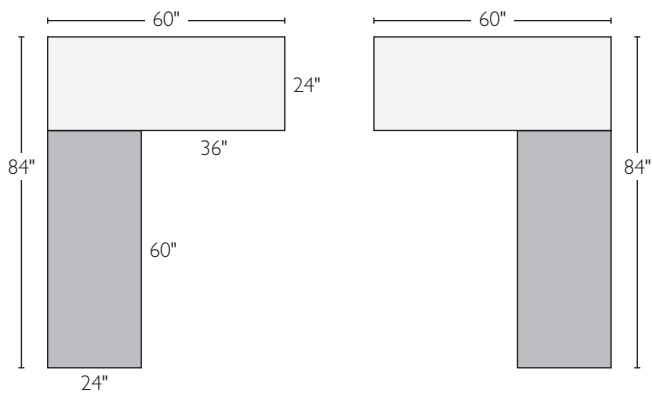
60 x 24



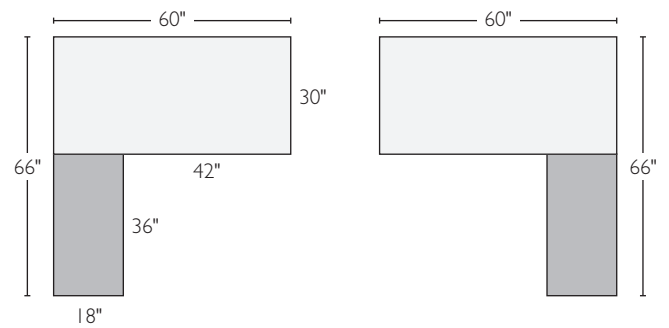
SAMPLE CONFIGURATIONS

Returns can be positioned on right or left side of the desk to fit your space.

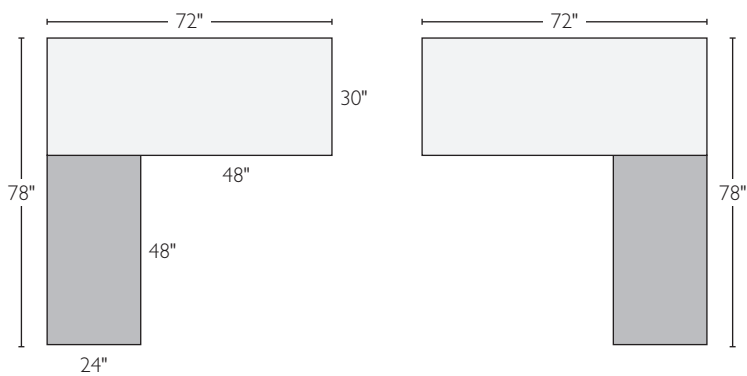
60 x 24 desk with 60 x 24 return



60 x 30 desk with 36 x 18 return

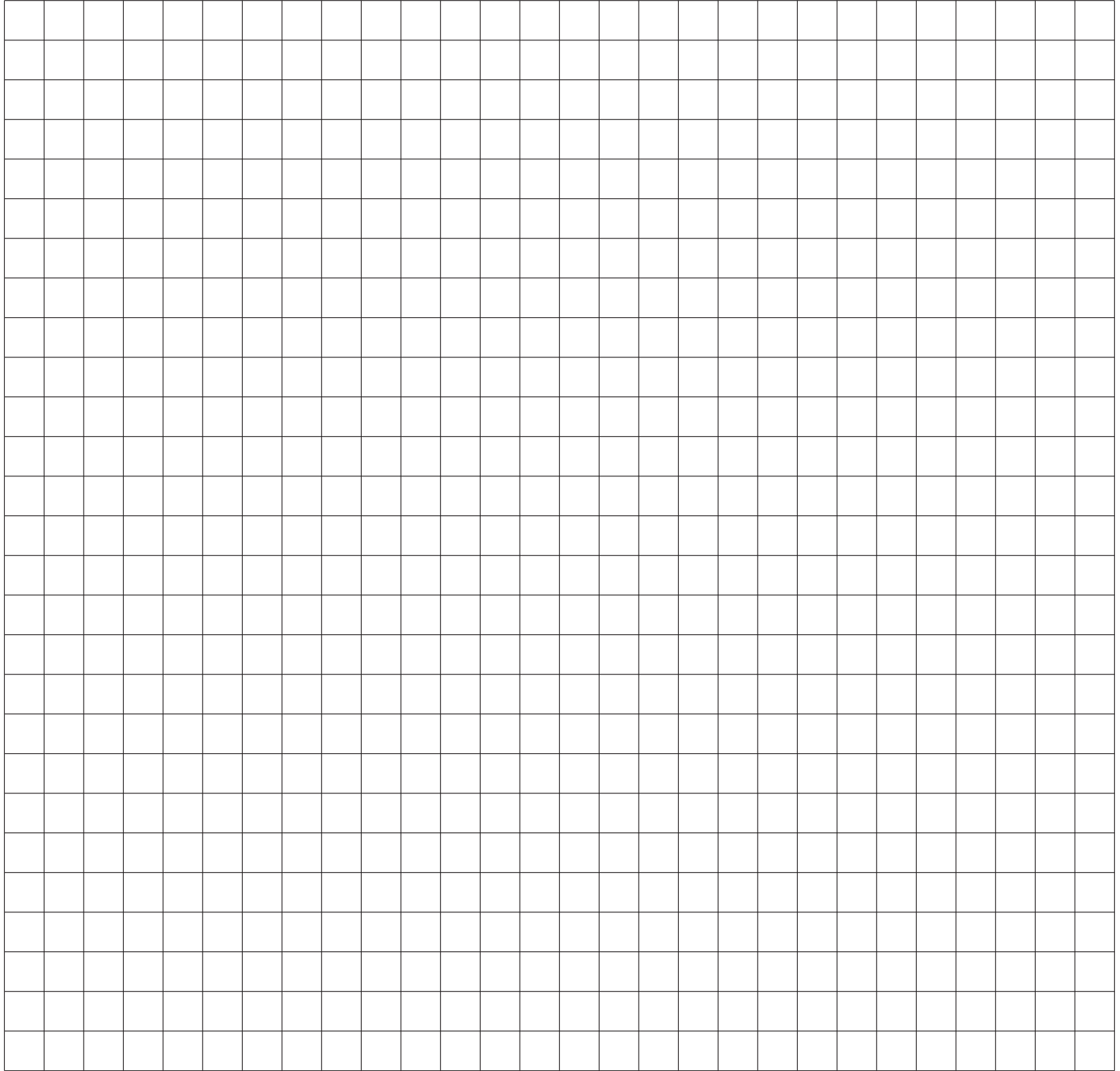


72 x 30 desk with 48 x 24 return



CREATE YOUR OWN CONFIGURATION

Use the grid below to create your own desk configuration. Tips: Most L-shaped desks require six legs; U-shaped desks require eight legs. Please work with a Design Associate to ensure that you order the correct configuration.

A large empty grid consisting of 20 columns and 20 rows, intended for drawing a desk configuration.

Notes

Sales order #

Design Associate

Customer name

Delivery date