

assembly instructions: moda bed and bunk bed



List of parts for twin bed

- 1 – headboard
- 1 – footboard
- 2 – bed rails
- 1 – slat roll
- 18 – decorative bolts

List of parts for bunk bed

(2 sets of twin bed parts plus the following)

- 1 – short guardrail
- 1 – long guardrail (4 screws enclosed in cardboard pad on bracket)
- 1 – ladder
- 4 – steel pins wrapped with ladder

Hardware

- 4 – wood dowels
- 8 – connector bolts
- 8 – metal collars
- 28 – wood screws for slat roll

Tools needed

ball end Allen wrench (provided)



Directions for bed and bunk

1. Assemble the lower section of the bunk bed first. Use the two headboards as the bottom panels of the bunk.

Begin here for Twin Bed Assembly. Steps 2-4, Figure 2, Steps 9, 11 and 12.

2. Insert a wood dowel into the middle hole of each trio of holes on both panels. Screw a connector bolt into each of the threaded inserts, leaving four or five threads exposed.
3. Align connector bolts with the holes on the end of a bedrail, slipping bolts through pre-drilled holes in the bedrail. Repeat on other side. Make sure each bedrail is tight up against the panel.
4. Through the large hole in the side of the bedrail, slip one metal collar over each connector bolt. Use the ball end Allen wrench to start tightening each bolt, then switch to the short end to finish tightening completely.
5. Insert steel pins into the holes on top of the headboards.
6. Place footboards on top of the steel pins and push down until the bottom of the footboard is resting on top of the headboard.
7. Attach the upper bedrails in the same manner as Steps 1-4 above.
8. Place the long guardrail on the wall side of the bed so that the brackets are on the inside of the bedrail, and attach each bracket with two screws. Place the short guardrail on the front bedrail against one of the footboards. (This allows an opening for the ladder at the other end.) Screw the short guardrail brackets to the inside of the bedrail.

assembly instructions: moda bed and bunk bed

Directions for bed and bunk continued...

9. Unroll and lay the slatroll inside the bedrails, with the webbing facing up. With the 28 wood screws provided, attach the slats. The first slat must be 2" from the end of the bedrail. Pull the slatroll taught and secure the other end 2" from the end of the bedrail on that side; then secure all other slats. The slats should be centered between the bedrails, with a 1/8" gap between the end of the slat and the bedrail. This permits the guardrail bracket to slip in between the slat and the bedrail.
10. Attach the ladder to the bedrail by hooking it over the bedrail.
11. Mattress may be placed with or without a platform board on the slatroll.
12. The two white plastic plugs may be used to fill in the holes on the top of the headboard.

note

Only use a mattress that is 74"-75" long and 37½"-38½" wide on upper bunk.

Directions for full length (long) guardrail

1. Unscrew and remove existing guard rail mounting brackets from both ends of guard rail. **This step needs to be done only with full length guard rail** to prevent headboard from interfering with installation.
2. Insert guard rail onto bed rail. Once rail is in proper position replace both guard rail mounting brackets, facing inside of bed rail. Finally, secure guard rail to side rail with two screws in each bracket.

SAFETY WARNINGS

Ensure thickness of mattress and foundation combined does not exceed 9½" and mattress is at least 5" below upper edge of guardrails.

1. Do not allow children under 6 years of age to use the upper bunk.
 2. Use guardrails on both sides of the upper bunk.
 3. Prohibit horseplay on or under beds.
 4. Prohibit more than one person on upper bunk.
 5. Use ladder for entering or leaving upper bunk.
 6. If the bunk bed will be placed next to a wall, the guardrail that runs the full length of the bed should be placed against the wall to prevent entrapment between the bed and the wall.
- Replacement parts, including additional guardrails, may be obtained from any Room & Board store.
 - Follow the information on the warnings appearing on the upper bunk end structure and on the carton. Do not remove warning label from bed.
 - Periodically check and ensure that the guardrail, ladder and other components are in their proper position, free from damage and that all connectors are tight.
 - Do not allow horseplay on or under the bed and prohibit jumping on the bed.
 - Do not substitute parts. Contact the manufacturer or dealer for replacement parts.
 - Use of a night light may provide added safety precaution for a child using an upper bunk.
 - The use of water or sleep flotation mattresses is prohibited.

STRANGULATION HAZARD

Never attach or hang items to any part of the bunk bed that are not designed for use with the bed; for example, but not limited to, hooks, belts and jump ropes.

assembly instructions: moda bed and bunk bed

Maintenance

Periodically check to make sure all screws, bolts and fastening devices are tight.

Cleaning

Mix a mild solution of gentle dishwashing liquid and water; apply to surface using a soft, clean cloth, then dry all surfaces with a soft, dry cloth. **NO ABRASIVES, SCOURING PADS, STEEL WOOL, OR COARSE RAGS** should be used to clean this fine furniture.

Keep these instructions for future reference.

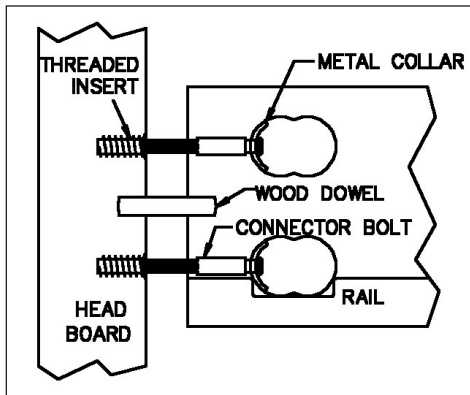
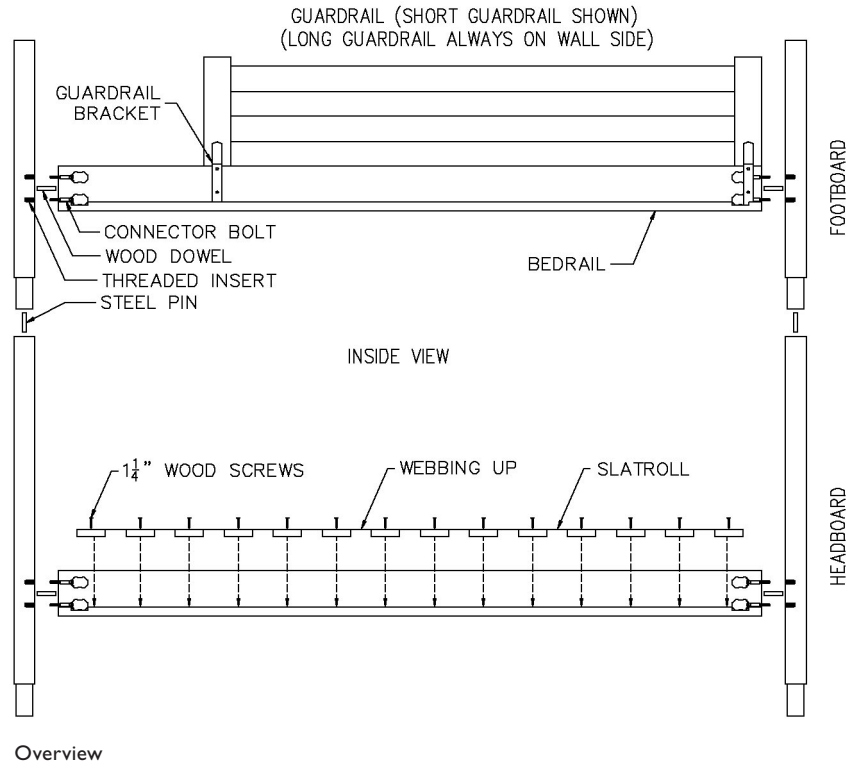


Figure 2: Bedrail attachment

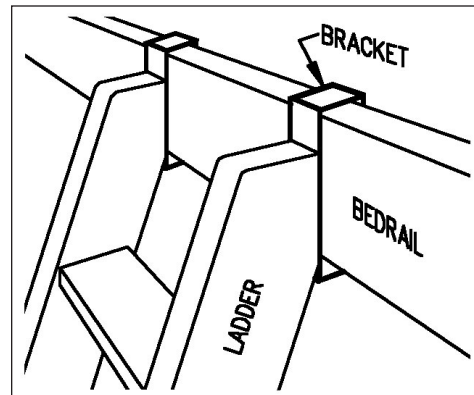


Figure 3: Ladder attachment