

assembly instructions: **moda** changing tray



List of parts

1 – changing tray

Hardware

2 – angle brackets

4 – wood screws

Tools needed

Philips screwdriver



Dresser mount

Taped to the plastic bag on the mattress pad, there is a bag with two angle brackets and four wood screws (see Figure 1). Attach the angle brackets to the underside of the changing tray using the pilot holes already drilled there. Tighten the screws completely. Then place the changing tray on top of the dresser, and use the other two screws to secure the bottom of the bracket into the BACK of any dresser (see Figure 2).

Crib mount

On the underside of the changing tray are velcro straps that secure the tray to the top rails of the crib sides, as pictured below (see Figure 3).

Care and cleaning instructions

Your changing tray will provide many years of reliable use if treated with the care normally given to fine furniture. It has been carefully finished with a durable, non-toxic finish. The foam pad can be wiped with a damp cloth and mild detergent.

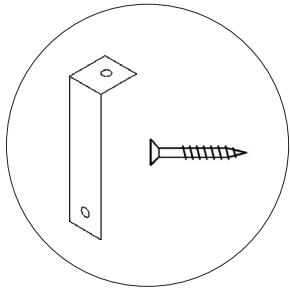


Figure 1

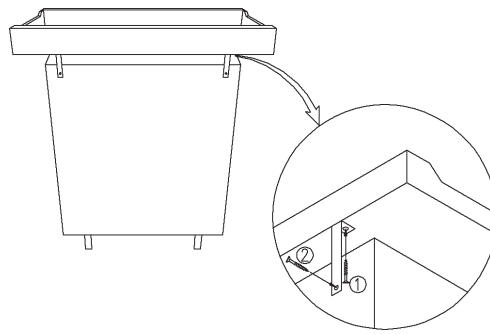


Figure 2 – Dresser Mount
Attach using brackets and screws.

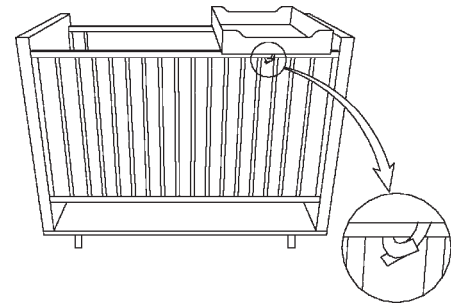


Figure 3 – Crib Mount
Attach using velcro straps.

SAFETY WARNINGS

- The safety strap is only intended to HELP hold an infant while using the changing tray.
- **NEVER LEAVE CHILD UNATTENDED** on changing tray.
- Periodically check that all bolts and screws are securely tightened to ensure stability and safety of changing tray.
- **DO NOT ALLOW CHILDREN TO CLIMB** on changing tray.