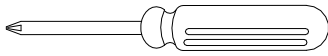


## Tools

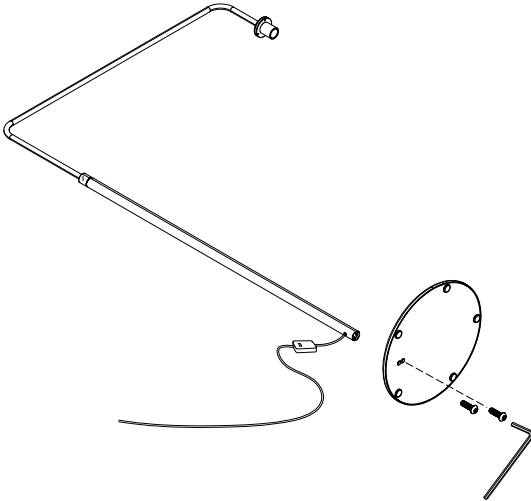


Phillips Screw Driver



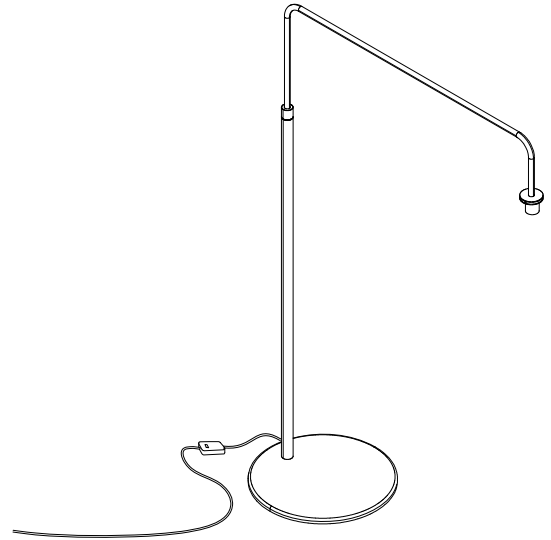
3/16" Allen Wrench (Supplied)

1



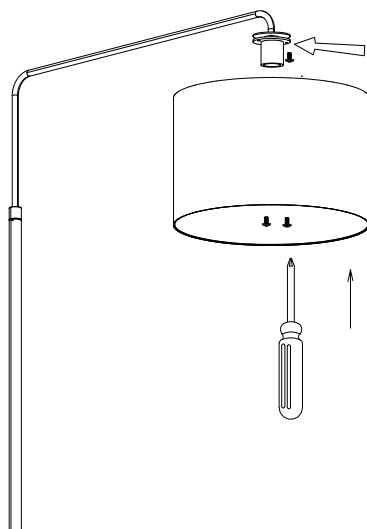
Lay the frame on a carpeted floor. Stand the base up on edge. Using the hex Allen wrench, fasten the frame to the base with (2) socket head screws. Make the screws TIGHT.

2



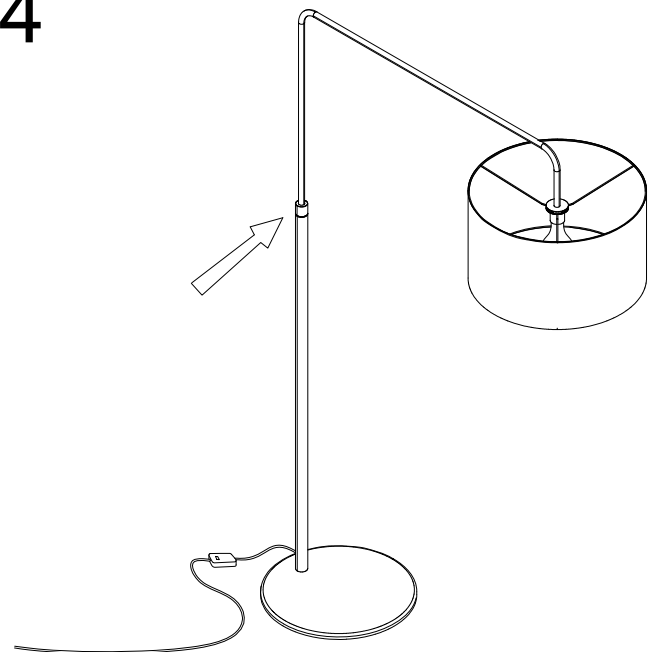
Stand the lamp up to install the shade.

3



Find the three shade mounting screws in the ring around the bulb socket. Remove the screws and use them to attach the shade. Before installing the screws, make sure the shade seam is positioned toward the back. Then install the bulb.

4



Loosen and tighten the knurled ring to adjust the lamp shade to the desired height.