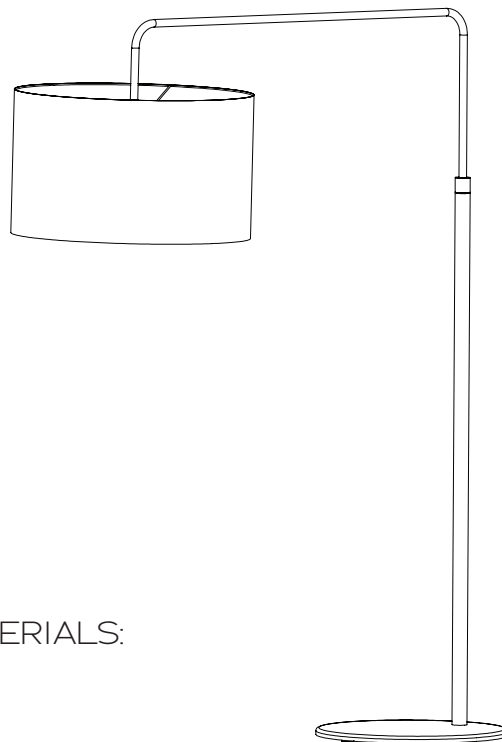


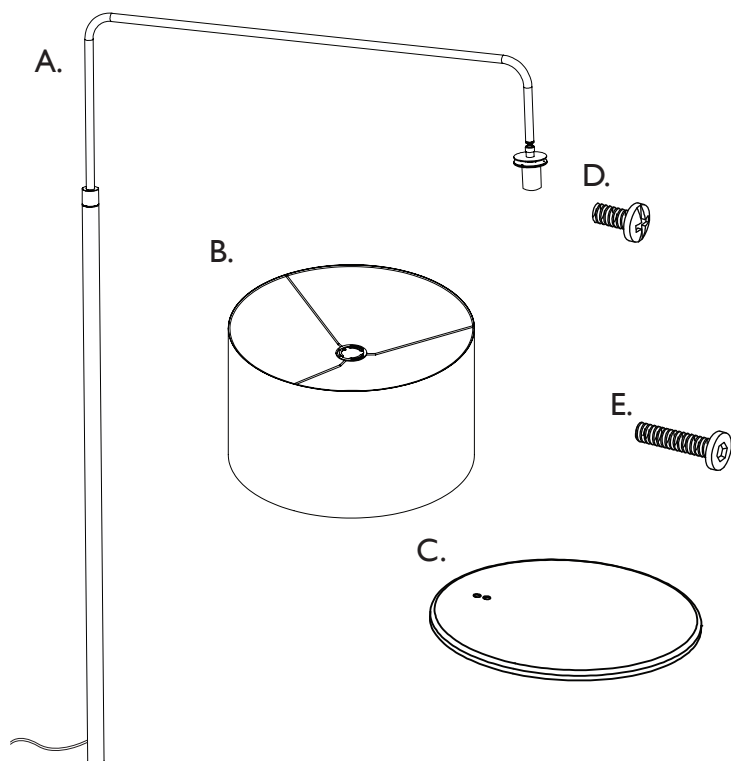
### RAYNE FLOOR LAMP



#### RECOMMENDED TOOLS AND MATERIALS:

- #2 Phillips screwdriver
- 3/16" Allen wrench (included)

#### THIS PRODUCT INCLUDES:

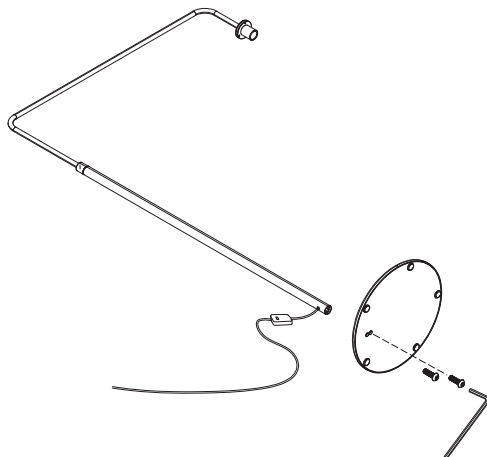


- A. - Rayne lamp stem assembly
- B. - Rayne lamp shade
- C. - Base plate
- D. - Base hex screws (X2)
- E. - Shade assembly screw (X3)
- F. - 3/16" Allen wrench

Note: Figures are not to scale

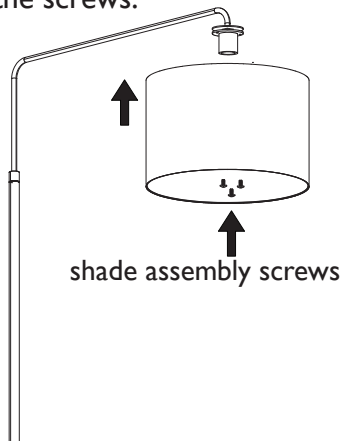
1

Set the Rayne lamp stem assembly on its side on a carpeted or protected floor to avoid scratches or other damage. Use the 3/16" Allen wrench to fasten the base plate to the stem assembly with the base hex screws.



2

Stand the lamp upright before sliding the inner ring of the Rayne lamp shade up over the lamp socket. Then use the shade assembly screws to fasten the lamp shade in place. Position the shade seam in your desired location before fully tightening the screws.



Note: Shade assembly screws may come pre-attached to metal ring around the bulb socket. Remove prior to positioning shade.

3

Adjust the height of the lamp stem to your desired height by spinning and loosening the collar between the upper and lower portions of the stem assembly. An adjustable leveling foot is located under the base plate to accommodate for uneven floors.

