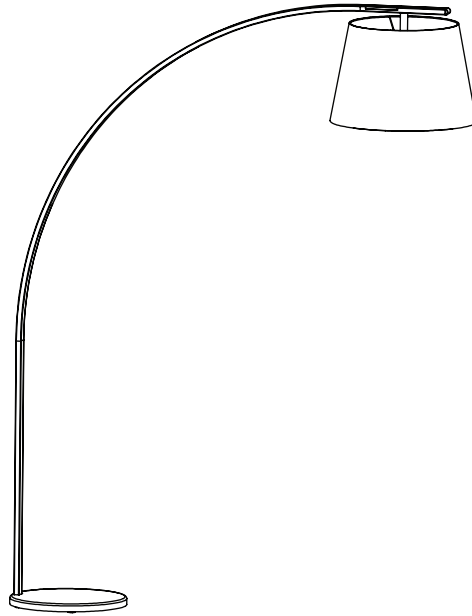


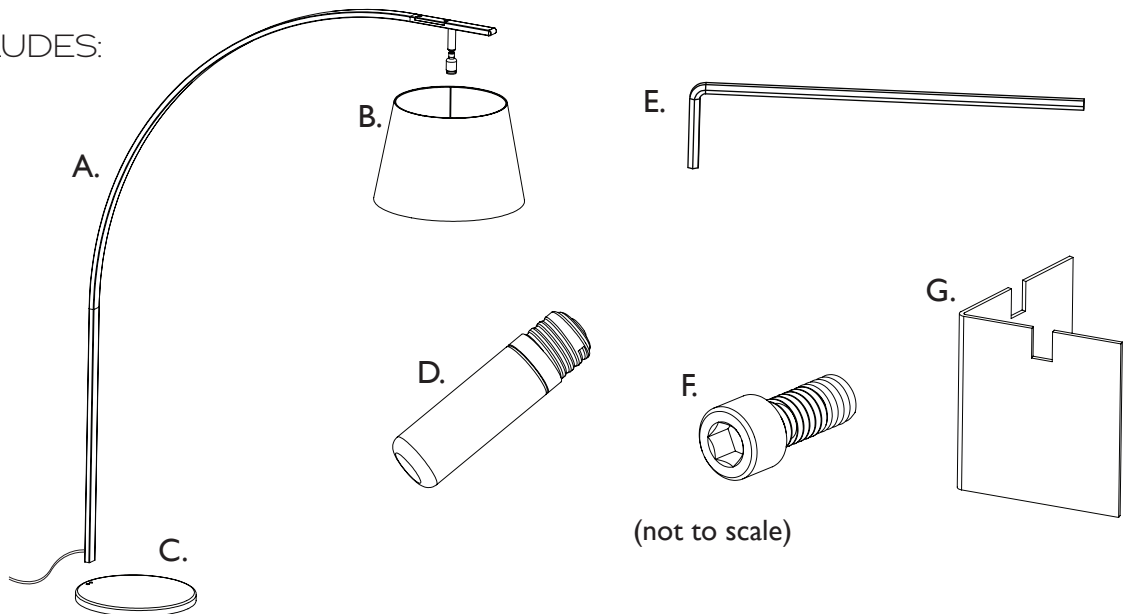
STREETER FLOOR LAMP



CAUTION:

- It is strongly recommended that installation of this product is done by two people.
- READ these instructions entirely prior to installation.
- Assembly of this lamp requires some minor lifting. Improper handling of heavy components could result in damage to the product.

THIS PRODUCT INCLUDES:



- A. - Lamp stem
- B. - Lamp shade
- C. - Weighted base
- D. - 150 watt halogen bulb

- E. - Allen wrench (included)
- F. - Allen head screws (x2)
- G. - Cardboard assembly supports (x3)

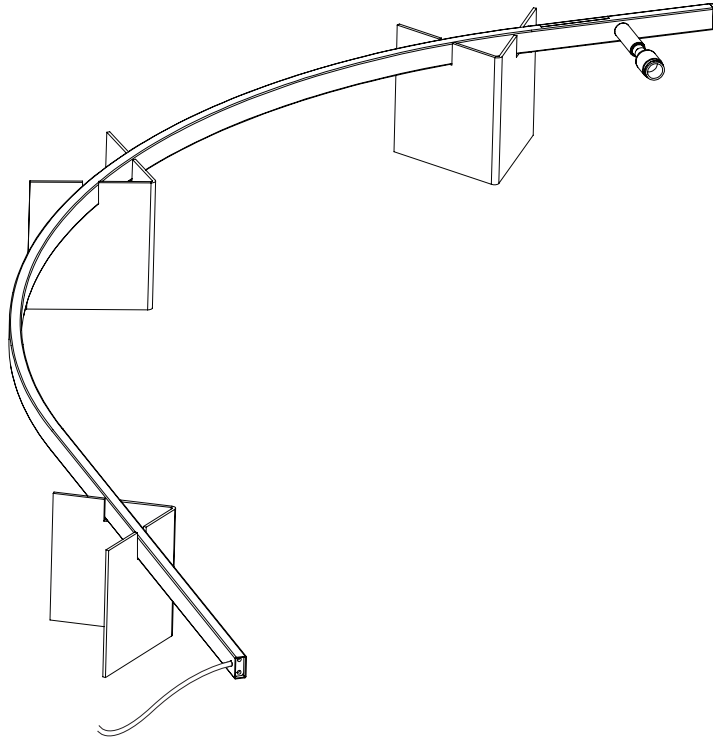
(not to scale)

1

In a large, open area, remove the lamp stem and weighted base from the packaging and place them on a flat, protected surface to avoid damage.

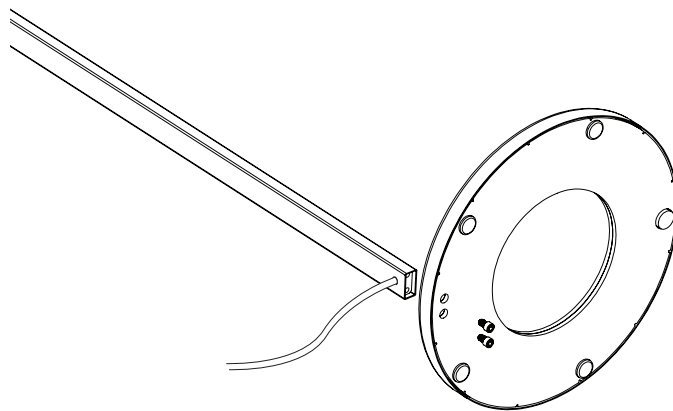
2

Fold the three cardboard assembly supports and use them to prop up the lamp stem as shown in the image below. This setup will allow you to attach the weighted base without risking damage to the lamp stem.



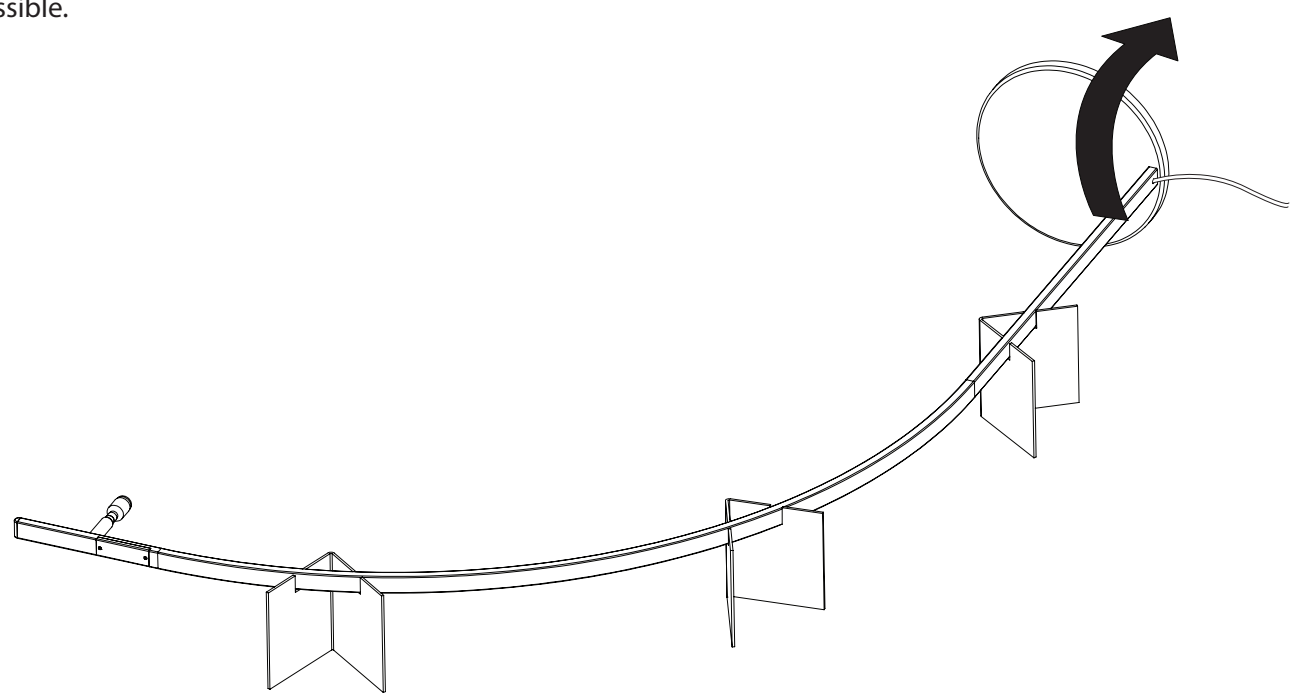
3

Position the weighted base at the end of the lamp stem. With the assistance of a second person, align the holes in the weighted base to the holes in the bottom of the lamp stem, insert the two Allen head screws into the holes and use the provided Allen wrench to fasten the components together completely. Ensure each screw is tightened fully before moving on to the next step.



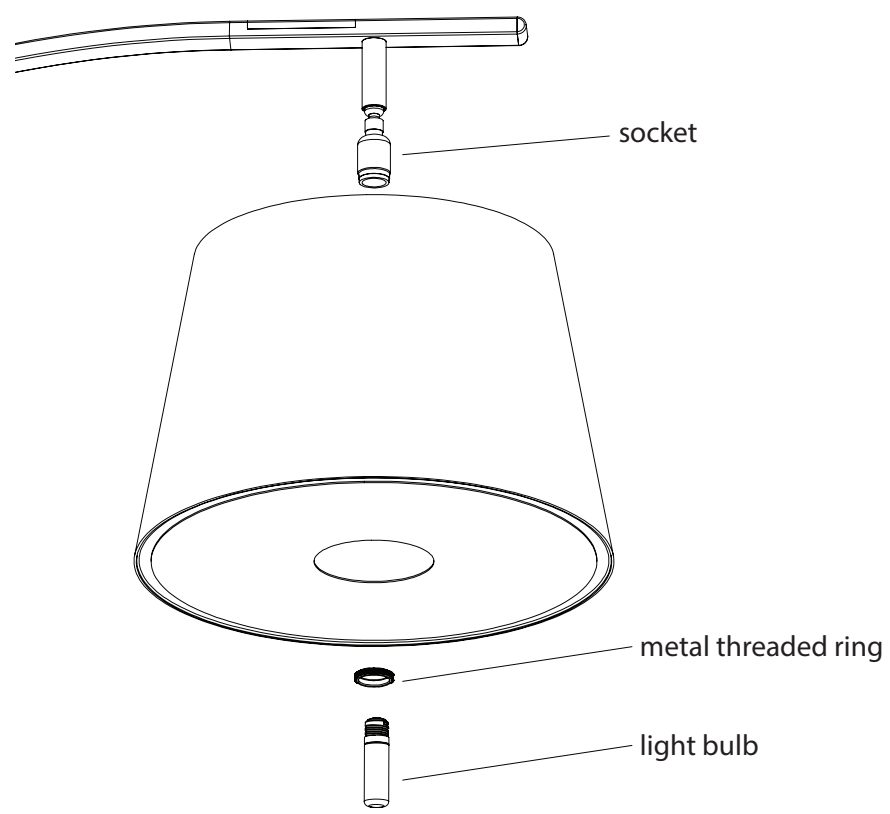
4

Once the stem and weighted base are securely attached, carefully tip the lamp up to a standing position. To avoid bending the stem, grasp the stem as closely to the base as possible. Utilize the help of a second person whenever possible.



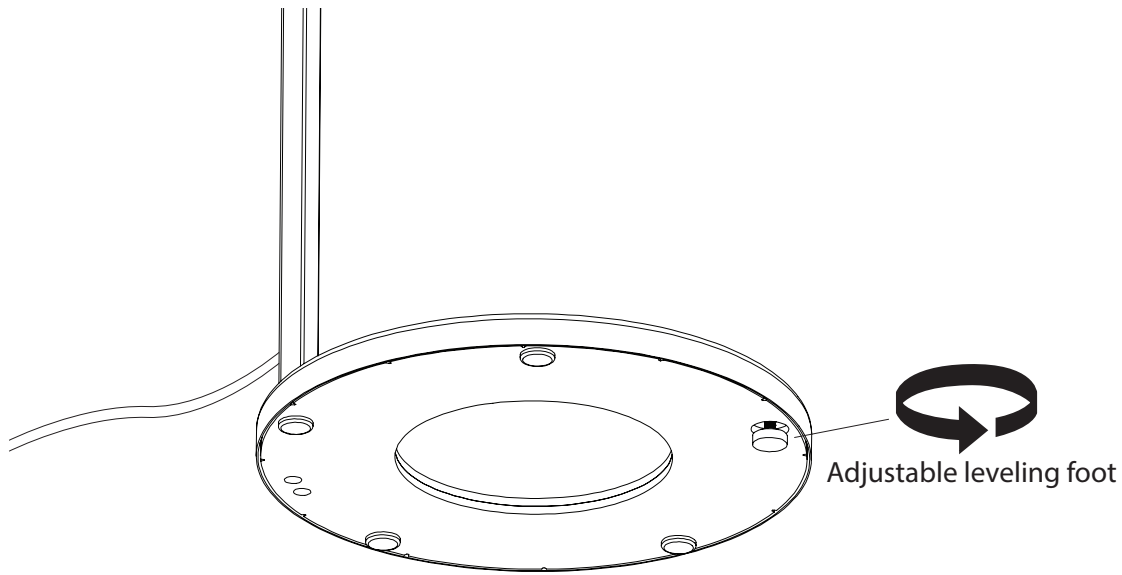
5

With the lamp positioned in its desired location, attach the lamp shade to the hanging socket. To do this, first unscrew the metal threaded ring attached to the socket, then slide the shade frame up onto the socket while a second person screws the threaded ring back into place. Finally, insert the lightbulb into the socket and twist into place.



6

If your lamp is placed on uneven flooring, rotate the adjustable leveling foot under the weighted base to properly position your lamp.



SPECIAL CONSIDERATIONS:

The push button switch on the back side of the lamp stem cycles between off, low, and high.

To avoid damage to this product, whenever possible, utilize the help of a second person when moving, adjusting or assembling.