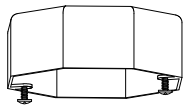


### Caution!

1. It is strongly recommend that you have the installation done by licensed electrician.
2. READ the included safety instructions before you attempt this installation.
3. DO NOT START ANY WORK UNTIL YOU HAVE TURNED OFF THE ELECTRICAL CIRCUIT BREAKER.



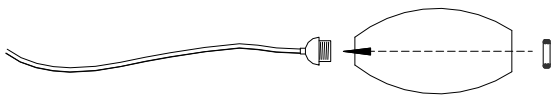
If you do not have an existing electrical light box, have one installed by a licensed electrician.

### Recommended tools and materials

Tall step ladder  
Tape measure  
Wire stripper  
Pliers  
Utility knife

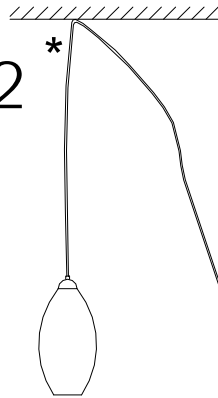
Phillips screw driver  
Small blade screw driver  
Masking tape  
Electrical tape

1



Attach a globe to ONE of the lamp cords. Use the plastic nut supplied with the lamp socket. Reach into the globe and screw the nut onto the socket by hand. Do not over-tighten.

2

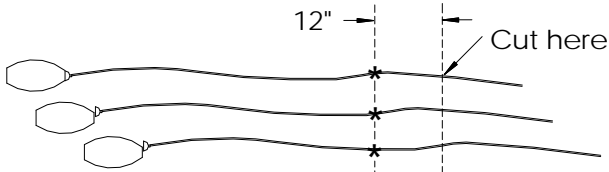


Hold the pendant cord against the ceiling and adjust the height of the globe that will hang the lowest.

This will be the LONGEST pendant.

Put a small piece of masking tape\* to mark a spot on the cord about 2" below the ceiling.

3



On a carpeted floor, stretch out all three cords. Adjust the position of the globes for the offset you want. (You do not need to attach the other two globes). Mark the other two cords with masking tape in-line with the first cord.

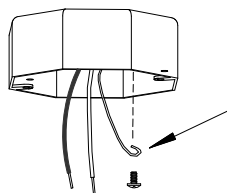
Measure an additional 12" from the tape marks and cut the cords at this location.

4



Detach the globes and work with the cords without the glass attached.

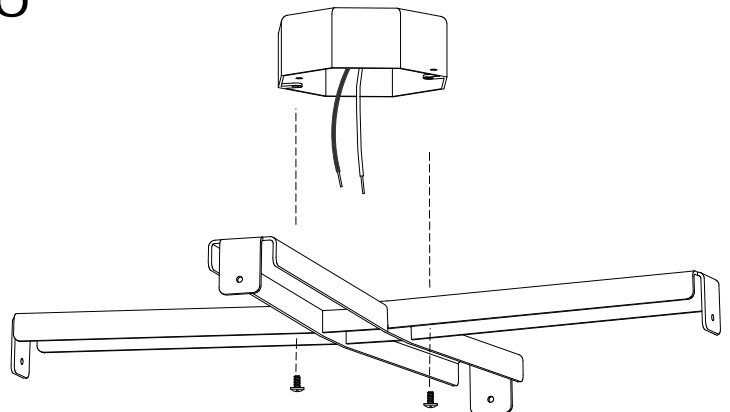
5



Bare house ground wire

Screw the (bare) house ground wire to the inside of the box. If the box is plastic, screw the wire to the the bracket shown in step #6.

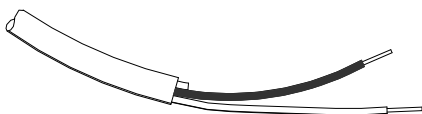
6



Screw the cross-bracket to the electrical box though two of the slots in the cross-bracket. Tighten the screws enough to pull the ends of the cross-bracket against the ceiling.

7

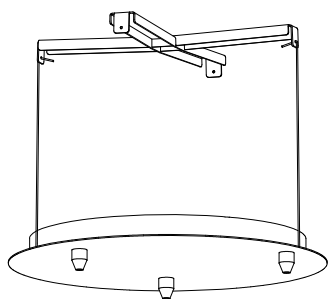
Carefully strip back the lamp cord's outside insulation. Make the pigtails about 6" long.



Cut off the green wire. It is not required because the glass globe is non-conductive.

Strip the black and white wires 3/4" bare.

8



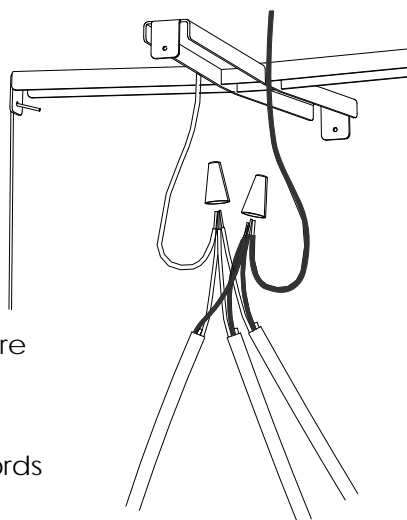
Use the two included wire hooks to hang the ceiling plate from the the cross bracket. Put the bottom of the hooks into the two small triangular holes in the ceiling plate ring.

10

Twist the three BLACK lamp cord wires together with the BLACK (hot) wire from the electrical box. Twist on a yellow wire nut.

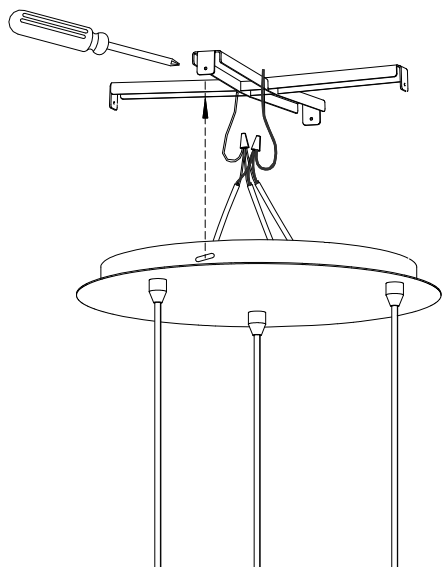
Twist the three WHITE lamp cord wires together with the WHITE (neutral) wire from the electrical box. Twist on a yellow wire nut.

Wrap the wire nuts and cords with electrical tape.



11

Remove the wire hooks and lift the unit up and around the four cross bracket tabs. Line up the slotted holes in the ceiling plate ring. Put in all four screws but leave them loose. Twist the unit gently to make sure it is tight against the ceiling and then snug the screws. Do not over-tighten.



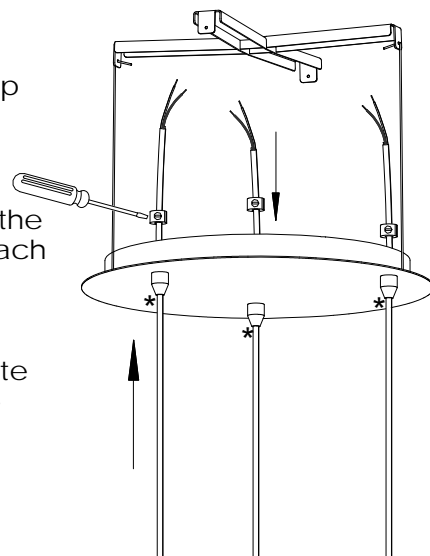
9

Find the cord-locking collars packaged with the individual pendant lamps. Other ceiling hardware packaged with the individual lamps is not required.

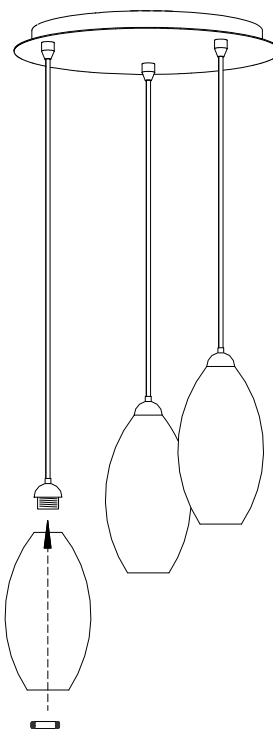
Push the cords through the ceiling plate and slip the locking collars over the cords.

Slide the cords up until the masking tape marks reach the tapered bezels.\*

Slide the locking collars down to the ceiling plate and tighten to hold the cords at that level.



12



Install all three globes and screw in the light bulbs.

Step back and test the light. If you are not perfectly satisfied with the position of the globes, you can still change their levels. There is enough extra cord in the ceiling plate to make adjustments.

To make adjustments, determine how much you want to move the globes up or down. Unscrew the ceiling plate, rehang it on the wire hooks and reposition the cord locking collars accordingly.