

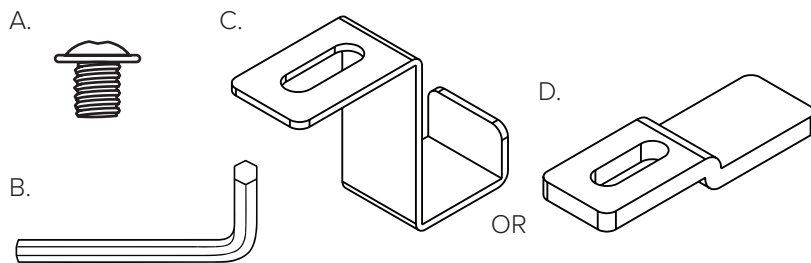
ARIA TABLE TOP ATTACHMENT

Recommended Tools/Materials

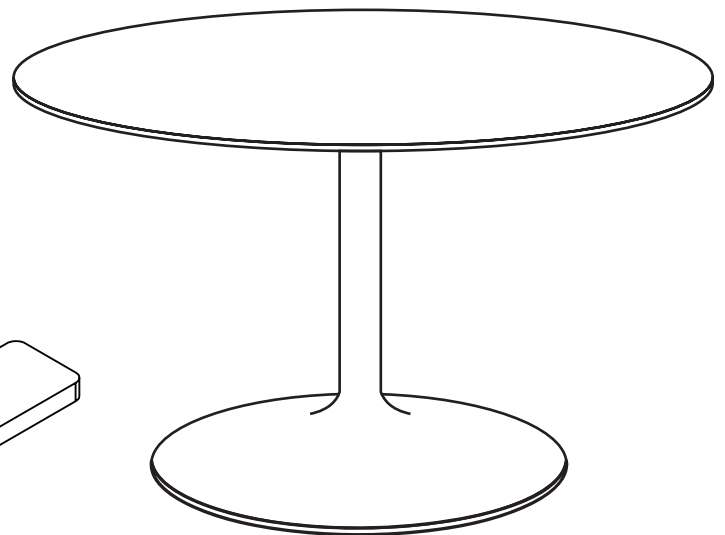
- Silicone adhesive (for troubleshooting, if needed)
- Rubber mallet (for troubleshooting, if needed)

This Product Includes

- A. Threaded hex bolts
- B. Brackets
- C. Allen wrench



(hardware not to scale)



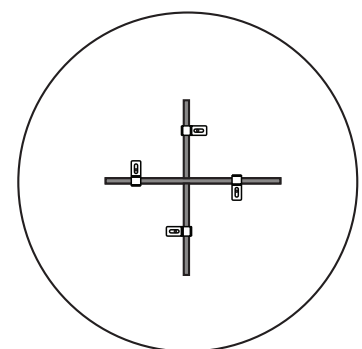
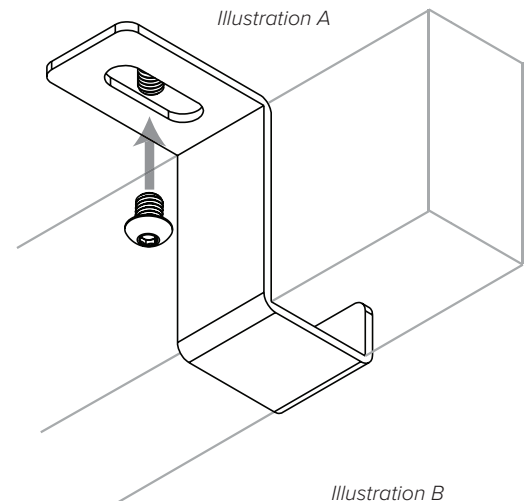
(actual shape may vary)

ATTENTION

Tops are heavy and can severely injure you. Please exercise caution while securing top to base. Have someone else hold the top in place while you are underneath it.

Installation Instructions

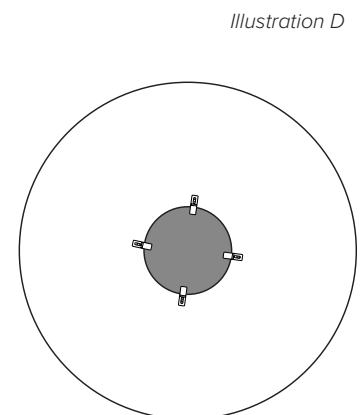
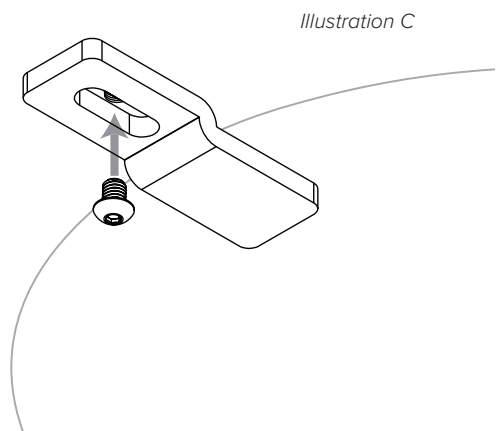
- 1 Carefully position the base centrally on the top so that the cross bars are approximately 1 inch away from the threaded inserts. While you are under the table, have someone hold the top in place for safety.
- 2 Secure a bracket to the top. The side of the bracket with the hole should be flush with the table top, while the curved shape should wrap around the base (see Illustration A). Using the included Allen wrench, gently screw a hex bolt through the bracket hole and into the threaded insert in the top, being careful not to over-tighten.
- 3 Repeat this step for the other brackets, ensuring they are all facing the same direction (see Illustration B).



Note: Once the top is attached to the base, do not lift the table from the top. Lift it from the base if you need to move it, or disassemble it for larger moves.

Installation Instructions (for 27-round, 22-round, 18-round sizes)

- 1 Carefully position the base centrally on the top so that the base's disk is approximately 1 inch away from each of the threaded inserts. While you are under the table, have someone hold the top in place for safety.
- 2 Secure a bracket to the top. The side of the bracket with the hole should be flush with the table top, while the curved shape should wrap around the base (see Illustration C). Using the included Allen wrench, gently screw a hex bolt through the bracket hole and into the threaded insert in the top, being careful not to over-tighten.
- 3 Repeat this step for the other brackets (see Illustration D).



Troubleshooting Instructions

Threaded inserts spinning

If a threaded insert spins in place while tightening, it's not necessarily an issue. Try turning the screw a few more times to get a secure fit while applying downward pressure on the tabletop above.

Threaded inserts falling out

If a threaded insert falls out during assembly or transit, it can be reinserted. Apply silicone adhesive to the insert's threads and gently tap it back into place using a plastic hammer or rubber mallet. The screw used during assembly helps lock the threaded insert.

