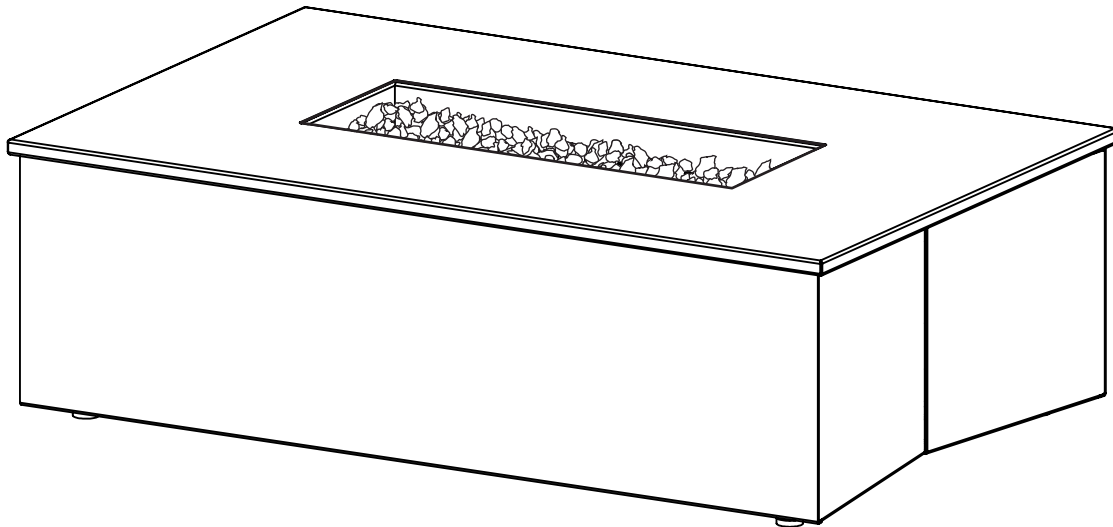


Room&Board

DESIGNED AND BUILT BY

JENSEN CO

ESTD 1982



776074 Adara Collection

112NG-TGR Rectangle Fire Table Owner's Manual

⚠️ WARNING

For outdoor use only.

⚠️ WARNING

Do not store or use gasoline or other flammable liquids in the vicinity of this or any other appliance.

An LP-cylinder not connected for use should not be stored in the vicinity of this or any other appliance.

⚠️ DANGER

If you smell gas:

- Shut off gas to the appliance.
- Extinguish any open flame.
- If odor continues, keep away from the appliance and immediately call your gas supplier or fire department.

⚠️ WARNING

Improper installation, adjustment, alteration, service, or maintenance can cause injury or property damage.

Read the installation, operation and maintenance instructions thoroughly before installing or servicing this equipment.



TABLE OF CONTENTS

Important Safety Information	3
Parts List	5
Assembly Instructions	6
Pre-Use Instructions	9
Lighting Instructions	10
Care and Cleaning	11
Spider and Insect Warning	12
Tips & Troubleshooting	13
Technical Parts List	14
Warranty	15

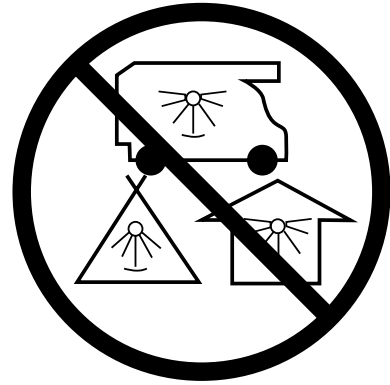
DANGER

CARBON MONOXIDE HAZARD

This appliance can produce carbon monoxide which has no odor.

Using it in an enclosed space can kill you.

Never use this appliance in an enclosed space such as a camper, tent, car or home.



SPECIFICATIONS

Product Name

Adara Rectangle Fire Table

Type of Gas

Natural Gas (NG)

Model No.

1112NG

Gas Supply

Professionally Installed NG system

Rated Heat Output

65,000 BTUs/hr

IMPORTANT SAFETY INFORMATION

Installation notes

- Minimum Clearance from unit to combustible materials: 48" (121.9 cm) from all sides and back. Do not place this fire table under any overhead structure or vegetation. Do not place on or above combustible surfaces.
- If stubbing out a natural gas hook-up below the table, the installer must make sure that provision is made for the hose to not contact any side or base panel of the burner area when the fire table is in its normal operating position.
- Save these instructions for future reference. If you are assembling this unit for someone else, give this manual to them to read and save for future reference.
- If the information in this manual is not followed exactly, a fire or explosion may result causing property damage, personal injury, or death.
- Installation and service must be performed by a qualified service agency or gas supplier. Real Flame recommends using professionals who are certified in the U.S. by the National Fireplace Institute® (NFI) as NFI Gas Specialists.
- Installation of this fire table must conform with local codes or, in the absence of local codes, with the National Fuel Gas Code, ANSI Z223.1 • NFPA 54; National Fuel Gas Code; Natural Gas and Propane Installation Code,
- CSA B149.1; or Propane Storage and Handling Code, CSA B149.2, as applicable.
- The normal NG inlet pressure for this appliance is 7.0" W.C. (1.74 kPa), maximum inlet pressure is 10.5" W.C. (2.61 kPa), minimum inlet pressure is 3.5" W.C. (0.87 kPa).
- Do not remove the feet from the fire table.
- Do not place the fire table on anything that blocks or seals the gap between the table and the ground.
- Do not permanently secure the fire table in any way or to any surfaces.
- Do not bury the hose. You must be able to visually inspect the hose for damage before each use.
- Do not coil or hide the hose under the fire table. The hose could be damaged if it touches hot surfaces.

General Warnings

- **Children and adults should be alerted to the hazards of high surface temperatures and should stay away to avoid burns or clothing ignition.**
- **Young children should be carefully supervised when in the area of the fire table.**
- **Clothing or other flammable materials should not be hung from the fire table or placed on or near the appliance.**
- **Any guard or other protective device removed for servicing the fire table must be replaced prior to operating the appliance.**
- **Installation and repair should be done by a qualified service person. The fire table should be inspected before use and at least annually by a qualified service person. More frequent cleaning may be required as necessary. It is imperative that the control compartment, burners, and circulating air passageways of the appliance are kept clean.**
- Do not store or use gasoline or other flammable vapors or liquids within 25 feet (7.62 m) of this or any other appliance.
- Do not store combustible materials in the fire table enclosure. This includes LP tanks.
- Be sure to protect the hose and its components from any hot surfaces. It is dangerous to allow the hose to come into contact with any hot surface.
- Keep all parts of the fire table clean including the burner and hose assembly. For more information on cleaning your fire table please refer to the Care and Cleaning section of this manual.

IMPORTANT SAFETY INFORMATION

General Warnings (Cont.)

- Do not use this appliance if any part has been under water. Immediately call a qualified service technician to inspect the appliance and to replace any part of the control system and any gas control that has been under water.
- Do not use this fire table for cooking.
- Do not pour water into the fire table.
- Do not attempt to move or store this fire table until all parts are cool.
- Always shut off the gas supply at the source and disconnect the hose when the fire table is not in use.
- Any alteration of this outdoor fire table that is not specifically directed in the owner's manual will void the manufacturer's warranty. This includes the use of unapproved filler materials.

Set-Up Warnings

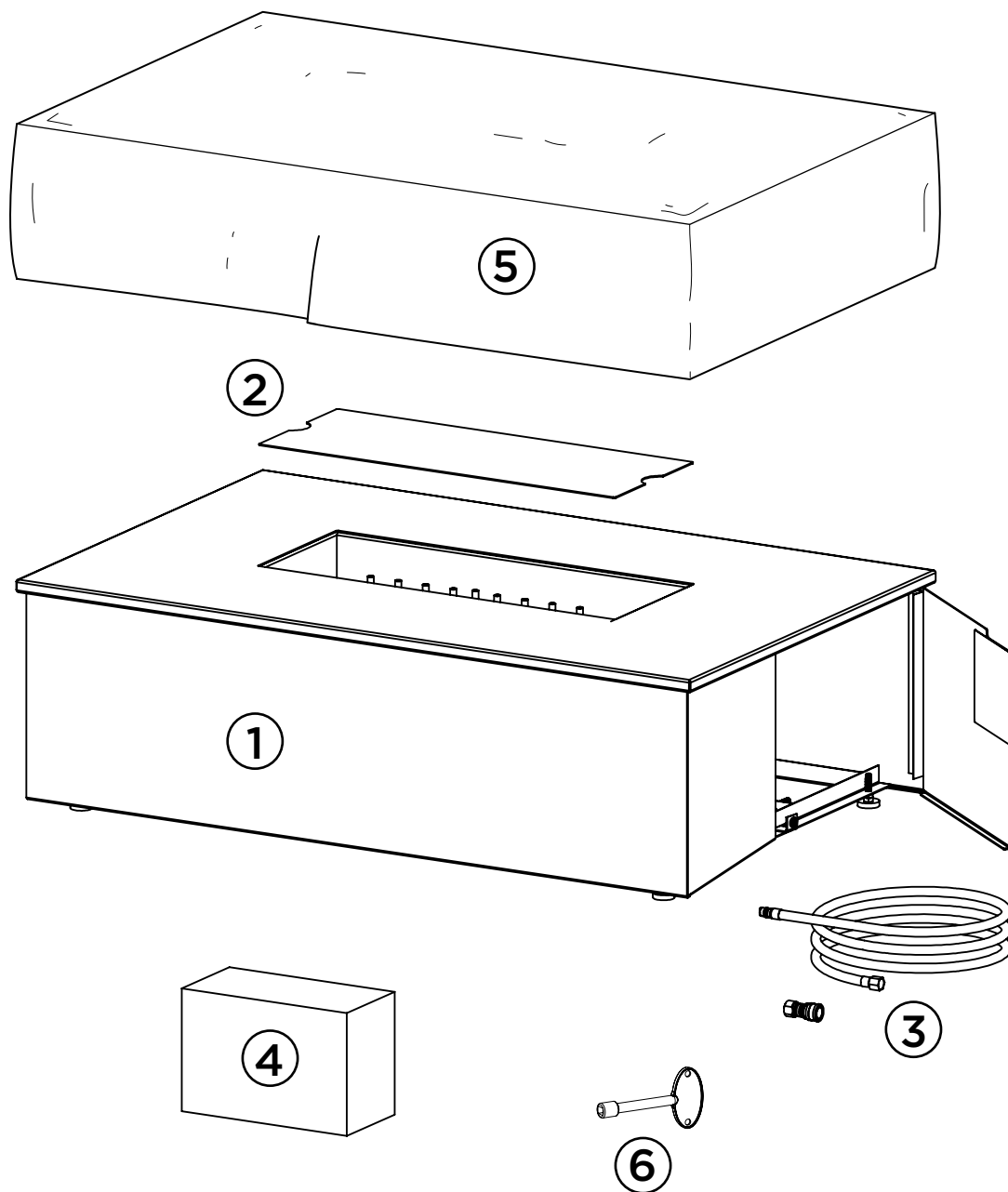
- Prior to each operation, check the hose assembly for evidence of excessive abrasion, wear or damage. Use a hand-held mirror, if necessary, to see hose sections located below the unit.
- If the hose assembly is damaged, cracked, or cut, it must be replaced before using the fire table. The hose assembly must be replaced with a hose assembly specified by Real Flame. Please call us at 1-800-654-1704 for assistance.
- Place the hose out of the pathways where people may trip over it. Do not place the hose in areas where it may be accidentally damaged.
- Before each use, examine the burner and its components for dirt and debris. If cleaning is required, use a pipe brush and soapy water solution. Also examine the area around the burner. Any dirt or foreign material such as spider webs, nests, leaves, etc., should be removed. If it is evident that the burner is damaged, the fire table must not be used, and the burner assembly must be replaced. Please contact Real Flame at 1-800-654-1704 for support.
- Do not burn solid fuels such as wood, charcoal briquettes, lump charcoal, manufactured logs, drift wood, trash, leaves, paper, cardboard, plywood, painted, stained or pressure-treated wood and other materials in this fire table.

In-Use Warnings

- NEVER LEAVE this fire table unattended when in use.
- The use of alcohol, prescription or non-prescription drugs may impair your ability to safely operate this fire table.
- Always use in accordance with all applicable local, state and national codes. Contact your local fire department for details on outdoor burning.
- Do not use in windy conditions. Winds above 10 mph may cause the flame to extinguish.
- Some surfaces of this fire table may become hot during use. Be careful and do not touch surfaces until the unit has cooled.
- Do not attempt to disconnect the gas supply from the fire table when the unit is in use.
- Do not sit on the fire table.

PARTS LIST

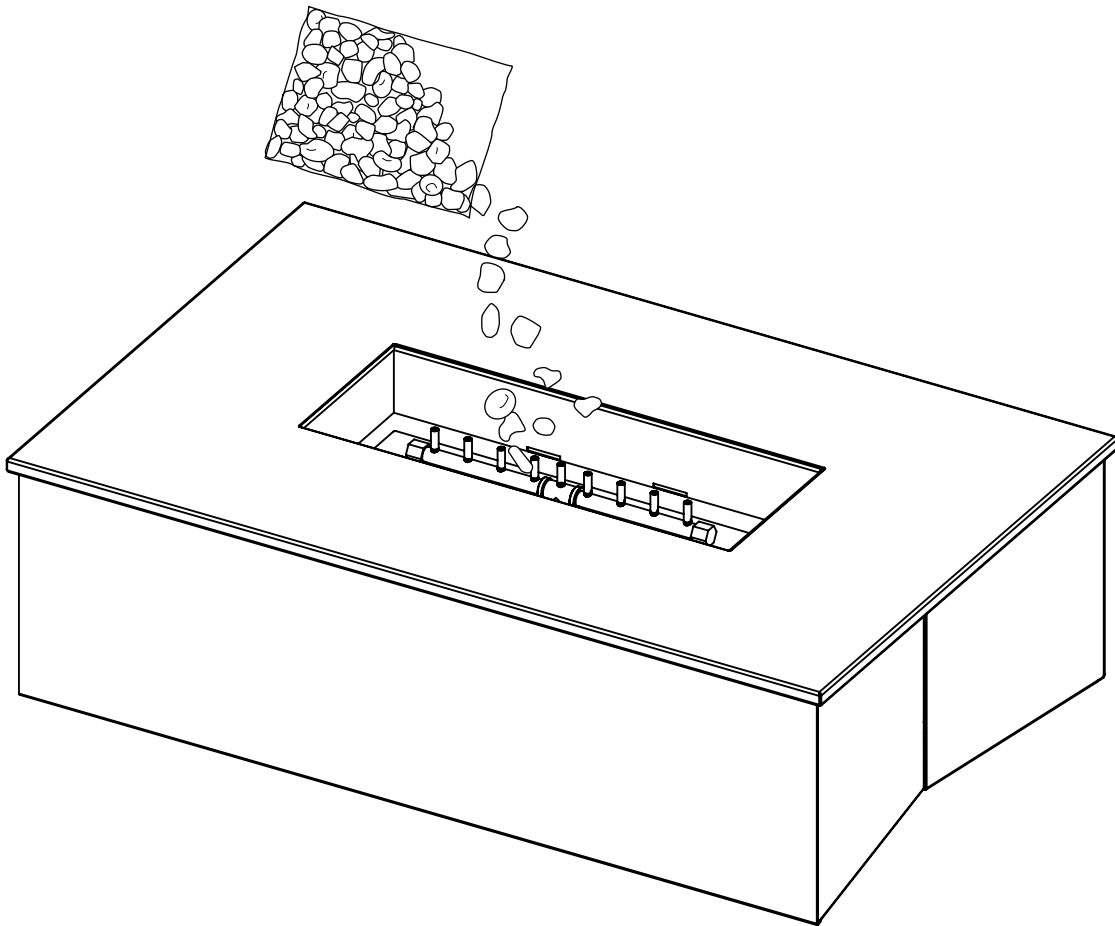
ITEM	R&B Number	JCo NUMBER	QUANTITY
① Fire Table Body	N/A	N/A	1
② Lid	N/A	11122005	1
③ NG Hose and Quick Connect Socket	N/A	056NG010	1
④ Black Lava Rock	970274	100240120J	1
⑤ Protective Cover	869214	11120002	1
⑥ Valve Key	711797	11110004	1



ASSEMBLY INSTRUCTIONS

1.) Place the lava rock or other Real Flame filler material into the burn area by hand. Do not dump the bag into the burner area, or directly onto the burner to avoid clogging the burner with dust. Position the filler material across the burn area to a level half an inch (1/2") above the burner.

If a Real Flame glass filler is being used, first place down a 1.5" layer of the included lava rock then place the glass filler on top of that layer to a level 1/2" above the top of the burner. This allows for better air flow below the burner and decreases the amount of glass filler needed.



Filler Material Warning

1. Do not overfill the burner area with rock or glass filler; use only the specified amount. The total depth of the filler should not be more than 1/2 inch above the burner tube. Only Real Flame filler products have been certified and tested for safe use with this fire table. Using other filler material may result in increased popping and cracking or increased carbon monoxide emissions.
2. Do not light or use this fire table if the filler is wet. Ensure filler is completely dry before lighting. Intense heat can cause wet filler to explode and hit someone causing injury.
3. Keep away from the fire table for at least 20 minutes during initial start-up as filler could retain moisture from manufacturing and shipping.

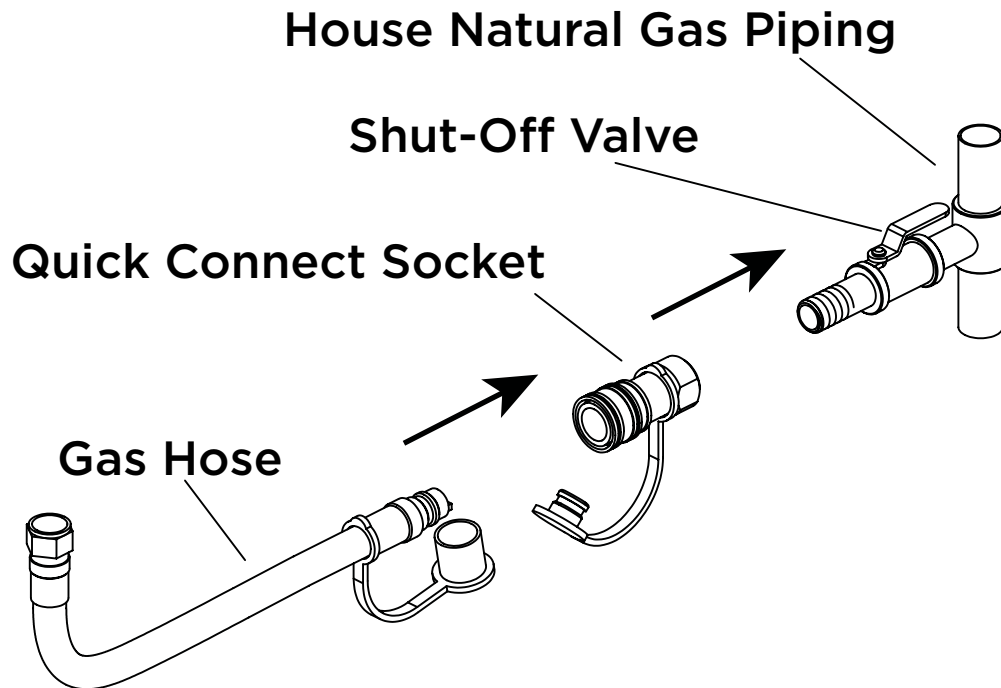
ASSEMBLY INSTRUCTIONS

3.) Connecting your fire table to the natural gas source:

A professionally installed shut-off valve between the supply piping and the socket is recommended by the National Fuel Gas Code, and must be used for this fire table. A professional gas technician or plumber must make sure that your house's gas system is capable of providing the correct amount of gas at the correct pressure for your fire table to operate safely and correctly.

The socket connection must be made outdoors. The diagram below shows the main components of a standard natural gas connection.

If the socket connection is below the fire table, no part of the hose may contact the side panels or base panel of the burner area when the table is in its normal operating position.

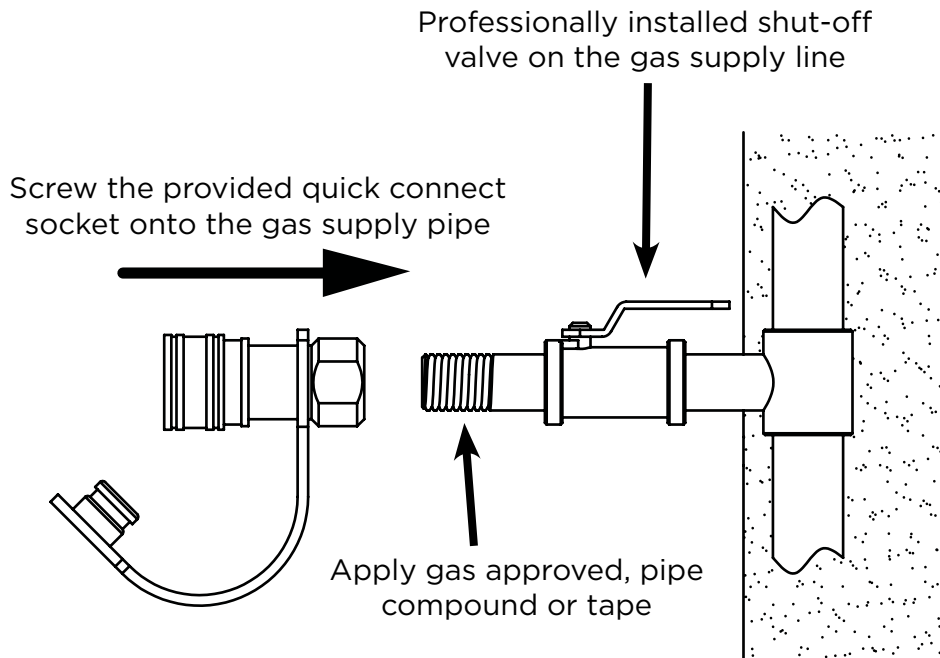


ASSEMBLY INSTRUCTIONS

4.) Connecting the Socket

Coat the gas supply pipe nipple with gas approved pipe compound or tape. Screw the quick connect socket included with your fire table onto the gas supply pipe.

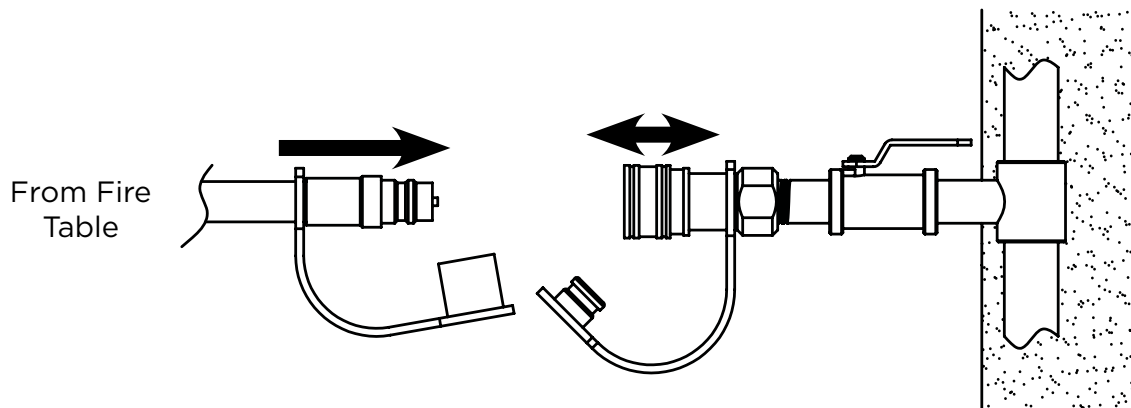
The quick disconnect should not be permanently attached to the gas hose on the fire table. The direction of the gas flow is indicated on the socket.



5.) Using the Quick Connect Socket

Using one hand, pull back the sleeve on the quick connect socket and, with the other hand, insert the unattached end of the fire table gas hose into the socket. Release the sleeve and continue pushing the hose into the socket until the sleeve snaps into the locked position.

After making the connection, perform a leak check as described on the next page.



PRE-USE INSTRUCTIONS

WARNING

Before using this fire table, make sure you have read, understand, and are following all information provided in this manual. Failure to follow these instructions could cause property damage, serious injury or death.

Checking for Leaks

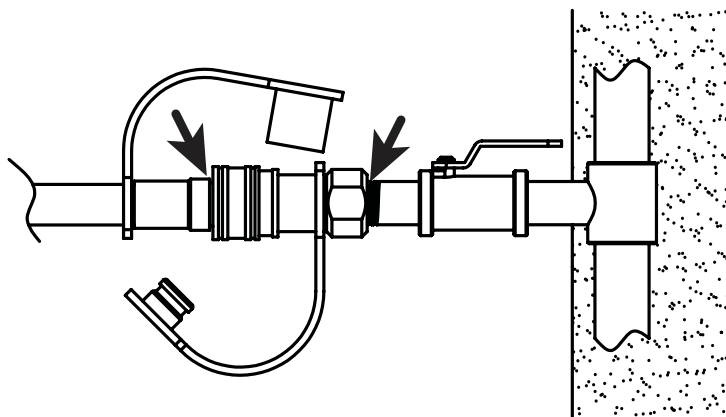
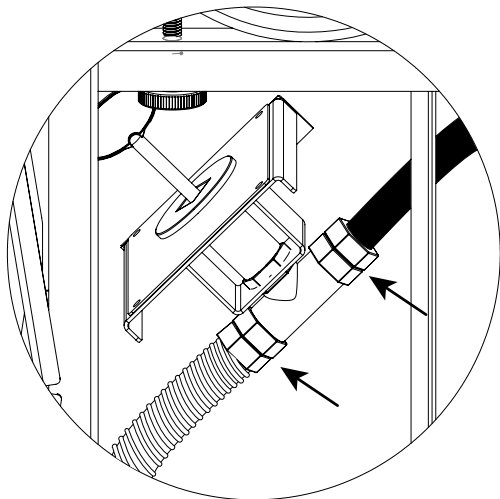
Make a leak check solution by mixing one part dish-washing soap with three parts water in a spray bottle.

Make sure that the control knob on the fire table is in the OFF position, then connect your fire table to the gas supply line.

Spray leak solution on the valve connections, paying particular attention to the areas indicated in the diagrams below by arrows.

If bubbles appear, shut off the gas supply, disconnect the hose, and inspect all connections making sure threads are clear of debris. Reconnect the hose, turn the gas supply on and re-test. If you continue to see bubbles, turn the gas supply off, disconnect the hose and call Real Flame at 1-800-654-1704 for assistance.

If no bubbles appear after one minute, wipe away excess leak solution and proceed to the next step.

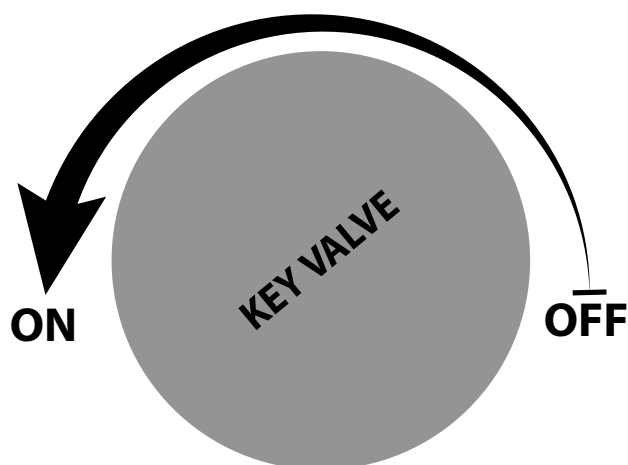


Pay close attention to the areas indicated by the arrows

LIGHTING INSTRUCTIONS

Lighting the Fire Table

1. Read and understand all operating instructions before lighting.
2. Before beginning, make sure the key valve is in the OFF position.
3. Connect the fire table to the gas supply and make sure the gas is on (see previous pages).
4. Position a burning long match or long burning butane lighter near the side of the burner.
5. Insert the valve key and slowly turn the valve counterclockwise towards the ON position.
6. Once the burner has been lit, remove the long match/ long butane lighter. Observe the flame and make sure that all the burn ports are lit.
7. Adjust the flame to the desired height using the key valve.
8. **WARNING:** If ignition does not occur in 15 seconds, turn the key valve to the "OFF" position and turn the gas off at the tank. Make sure there is no source of ignition around the fire table and wait at least five minutes until the gas has cleared to repeat the lighting procedure. Failure to do so could result in a large flashback of pooled gas, causing property damage or injury.



Flame Height



8-14"

20.3-35.5 cm

Shut-off Instructions

1. Using the key, turn the valve to the OFF position.
2. Once the flame is out, remove the key, and turn the gas off at its source.
3. Store the key in a safe location.

CARE AND CLEANING

Inspecting Your Fire Table

WARNING

DO NOT inspect, clean, move or store your fire table until the flames are COMPLETELY out and all parts are cool to the touch.

Your fire table should be inspected regularly to ensure that it is safe to use and to extend the life of its parts.

To inspect your fire table follow these steps.

1. Make sure all parts are securely fastened in place. If a part moves when touched, check its connection points to see if they are loose.
2. Check all connections for leaks using the leak check method described in the “Check for Leaks” section of this manual.
3. Check the ignition system by pushing the igniter button and verifying that a spark is being generated in the igniter housing.
4. Visually check all components for any signs of damage, rust, or excessive wear.
5. If damage or leaks of any kind are found, DO NOT operate the fire table until the proper repairs have been made.

WARNING

DO NOT tamper with this appliance. This is dangerous and will void the warranty.

Repairs and modifications must be approved by Real Flame and completed by a professional gas technician.

This fire table has been tested and certified by a third party certification agency based on its specific and unique parts. Installing any other parts will void both the certification and the warranty. For approved replacement parts, contact Real Flame at: 1-800-654-1704

General Care and Cleaning

After repeated use, a slight discoloration or weathering of the fire table finish may occur. Your fire table should be cleaned regularly to ensure safe use and extend its life.

General Cleaning

Make a cleaning solution using a mild soap mixed with water. Use a soft cloth to wipe down exterior surfaces and rinse with clean water. Never use oven cleaners or abrasive solvents as these will damage the fire table.

Burner

The burner should be kept clean to ensure proper operation. Clogged burn ports may be cleared with a paper clip or pin. Debris in the burner can be cleaned using compressed air or a pipe brush.

Soot

After use it is possible for soot to develop on some surfaces, this soot deposit will usually come off with water and mild soap.

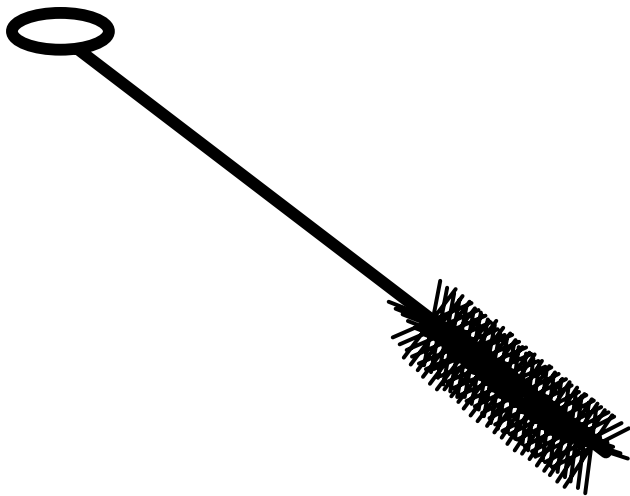
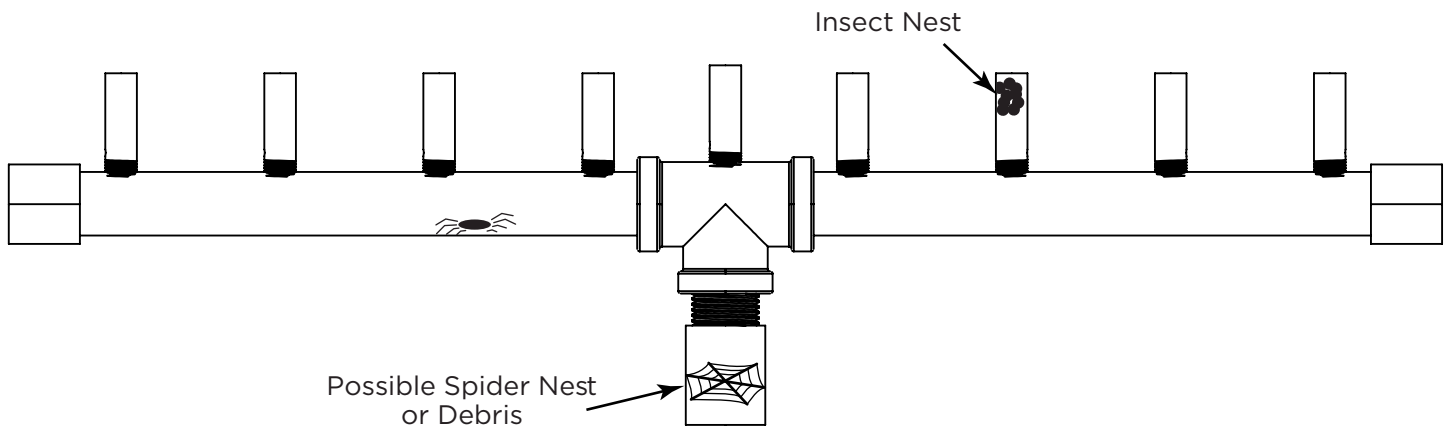
Storage

1. Turn the gas supply off at shut-off valve. Disconnect the quick connect socket and secure the hose in a way that it will not be damaged.
2. Secure all loose filler material or parts.
3. Cover your fire table when it will not be in use. Covering the table will help to protect the internal components from dirt and debris, prevent water from pooling on the surfaces and prevent the finish from fading and discoloring.
4. Store the fire table in a cool, dry location away from children and pets.

SPIDER AND INSECT WARNING

Spiders or other insects may build webs or nests in your fire table burner which can obstruct or block the flow of gas.

Some of the gas may back up in the burn tube and cause a flashback (a fire in the burn tube or underneath the fire table) which could result in personal injury or property damage. Check and clean the burn tube periodically using a pipe cleaner brush (as shown below) available at any hardware store and compressed air.



**Example of pipe
cleaning brush available
at local hardware stores.**

TIPS & TROUBLESHOOTING

If the fire table will not ignite or stay lit

Make sure that the gas shut-off valve is fully open and that the connection between the hose and the quick connect socket is correct. Verify that the valve key is not stripped out and that the valve is opening/ closing. Make sure that the hose does not have any kinks or sharp bends.

Other Common Problems

Clogged or Obstructed Burner

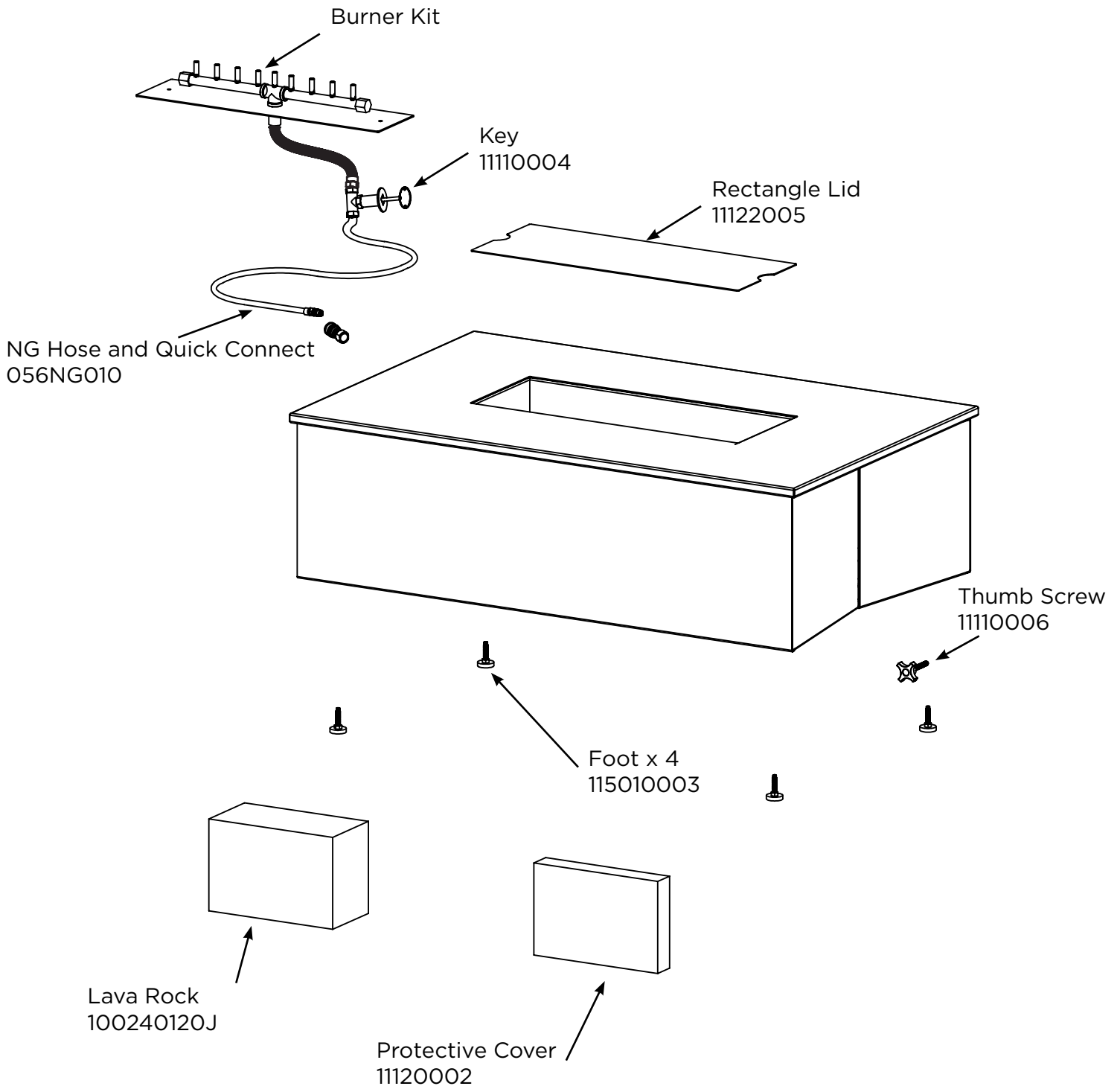
It is common for bugs, especially spiders, to make webs or nests inside of burner tubes. If it seems like you are getting low or no gas flow, visually check all openings in the burner for signs of clogs. If you see anything clogging the burner try using compressed air to remove the debris.

High Winds

High winds may cause the flame to blow out. Do not operate your fire table in high wind conditions.

If you continue to have problems with your fire table please contact Real Flame customer service at : 1-800-654-1704

TECHNICAL PARTS LIST



WARRANTY & RETURN POLICIES

Warranty

Real Flame® Company warrants the body and internal components of this Real Flame gas fireplace to be free from defects under normal use with a limited 2 year warranty from the date of purchase. The burn tube and nozzels carry a lifetime warranty. In the event of defects Real Flame will, at its option, replace the defective product or refund the purchase price. The foregoing is the exclusive remedy and Real Flame disclaims all other warranties, including any implied warranty of merchantability or fitness for a particular purpose. In addition, Real Flame will not be responsible for consequential damages in excess of the purchase price of the product on which such liability is based.

Return Policy

Contact Room & Board customer service at 1-800-301-9720 for complete return policy.

Replacement Parts

In the event that an item has been lost or damaged, either by the manufacturer or in shipping, you may request a replacement within 30 days of receipt. Replacement parts are not available for all units and only given at Real Flame's discretion. We will assess any damage and find a solution, which could include shipping you a replacement. No replacements are available for discontinued items or repackaged (open box) products. Please call Real Flame Customer Service at 800-654-1704 for replacement parts before returning the damaged item. Please have the following information (which can be found in your instruction manual) ready before you call Customer Service.

- Model Number of Item
- 4-8 digit Part Number
- Shipping Address
- A picture of the damaged item may be requested. Pictures should be sent to custserv@realflame.com

If a part has been lost or damaged after 30 days, please contact Room & Board for replacement options. 1-800-301-9720

Incorrect Order Received

If you received something other than what you ordered, please contact Room & Board Customer Service at 1-800-301-9720 within 48 hours of receiving the item.

Room & Board Customer Service
Customer Service: 1-800-301-9720

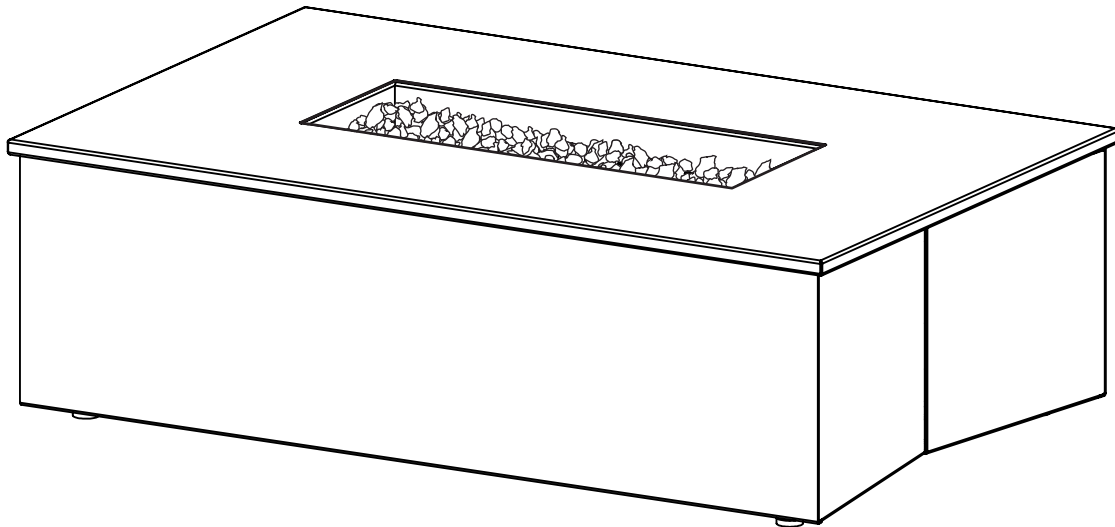
Real Flame Customer Service
Customer Service: 1-800-654-1704 in USA
Service à la clientèle: 1-800-363-6443 in Canada
custserv@realflame.com

Room&Board

DISEÑADO Y CONSTRUIDO

JENSEN CO

ESTD 1982



776074 Adara Collection

Manual del propietario del fogón rectangulo 1112NG-TGR

⚠️ ADVERTENCIA

Para uso sólo en exteriores.

⚠️ PELIGRO

Si siente olor a gas:

- Desconecte el gas del artefacto.
- Extinguir cualquier llama abierta.
- Si el olor continúa, manténgase alejado del artefacto y llame inmediatamente a su proveedor de gas o al departamento de bomberos.

⚠️ ADVERTENCIA

No almacene ni use gasolina u otros líquidos inflamables en las cercanías de este o de cualquier otro artefacto.

Un cilindro de LP no conectado para el uso no debe ser almacenado cerca de este o de cualquier otro artefacto.

⚠️ ADVERTENCIA

La instalación, ajuste, alteración, servicio o mantenimiento incorrectos pueden causar lesiones o daños a la propiedad.

Lea atentamente las instrucciones de instalación, operación y mantenimiento antes de instalar o reparar este equipo.



170919FTNG-171130

ÍNDICE

Información importante de seguridad	18
Lista de partes	20
Instrucciones de montaje	21
Instrucciones de pre-uso	24
Instrucciones de iluminación	25
Cuidado y limpieza	26
Advertencias relativas a insectos y arañas	27
Consejos y solución de problemas	28
Lista técnica de partes	29
Garantía	30

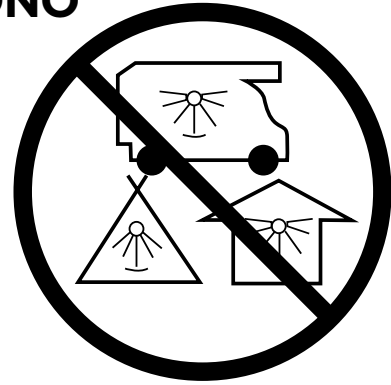
PELIGRO

PELIGRO DE MONÓXIDO DE CARBONO

Este artefacto puede producir monóxido de carbono que no tiene olor.

Usarlo en un espacio cerrado puede poner la vida en peligro.

Nunca utilice este artefacto en un espacio cerrado, como un campamento, tienda, automóvil o el hogar.



ESPECIFICACIONES

Nombre del producto
Fogón Adara

Nro de modelo
1112NG

Salida de calor nominal
65,000 btu/hr.

Tipo de gas
Gas natural (GN)

Alimentación a gas
Sistema de GN instalado profesionalmente

INFORMACIÓN IMPORTANTE DE SEGURIDAD

Notas de instalación

- Distancia mínima de la unidad a los materiales combustibles: 48" (121,9 cm) de todos lados y parte trasera. No coloque el fogón debajo de ninguna estructura o vegetación. No lo coloque sobre ningún material combustible.
- Si el conector de gas natural está desconectado debajo del fogón, el instalador debe asegurarse de que la manguera no toque ningún panel lateral o base del área del quemador cuando el fogón esté en su posición normal de operación.
- Guarde estas instrucciones para referencia futura. Si está instalando esta unidad para otra persona, entréguele este manual para que lo lea y lo guarde como referencia futura.
- Si la información contenida en este manual no se observa estrictamente, puede producirse un incendio o una explosión, causando daños materiales, lesiones personales o pérdida de vidas.
- La instalación y el servicio deben ser realizados por un instalador, una agencia de servicios o un proveedor de gas certificados. Real Flame recomienda el uso de profesionales certificados por el National Fireplace Institute® (NFI) como Especialistas en Gas NFI.
- La instalación de este fogón debe cumplir con los códigos locales o, en ausencia de códigos locales, con el Código Nacional de Gas Combustible, ANSI Z223.1 • NFPA 54; Código Nacional de Gas Combustible; Código de Instalación de Gas Natural y Propano,
- CSA B149.1; o el Código de Almacenamiento y Manejo de Propano, CSA B149.2, según corresponda.
- La presión normal de entrada del GN de este artefacto es de 7,0" W.C. (1,74 kPa), la presión máxima de entrada es de 10,5" W.C. (2,61 kPa), la presión mínima de entrada es de 3,5" W.C. (0,87 kPa).
- No remueva los pies del fogón.
- No coloque el fogón sobre nada que bloquee o obstruya el espacio entre el fogón y el suelo.
- No fije de forma permanente el fogón de ninguna manera ni a ninguna superficie.
- No entierre la manguera. Debe ser capaz de inspeccionar visualmente la manguera para verificar la existencia de daños antes de cada uso.
- No enrolle ni oculte la manguera debajo del fogón. La manguera podría dañarse si toca superficies calientes.

Advertencias Generales

- **Niños y adultos deben ser alertados en relación a los peligros de altas temperaturas superficiales y deben permanecer alejados para evitar quemaduras o que la ropa se encienda.**
- **Los niños pequeños deben ser vigilados cuidadosamente cuando están en la zona de influencia.**
- **Ropa u otros materiales inflamables no deben colgarse del artefacto ni colocados en o cerca del artefacto.**
- **Deberá reponerse cualquier protector o dispositivo de protección que haya sido retirado del artefacto para su del mismo.**
- **La instalación y reparación deben ser realizadas por parte del personal de servicio cualificado. El fogón deber ser inspeccionado antes de su uso y al menos una vez por año por un técnico cualificado. Una limpieza más frecuente puede ser requerida según sea necesario. Es imperativo que el compartimento de control, los quemadores y conductos de circulación de aire del artefacto se mantengan limpios.**
- No almacene ni utilice gasolina ni otros vapores o líquidos inflamables dentro de una distancia de 25 pies (7,62 m) de este o de cualquier otro artefacto.
- No almacene materiales combustibles en el compartimiento del fogón. Esto incluye los tanques de PL.
- Asegúrese de proteger la manguera y sus componentes fuera del alcance de cualquier superficie caliente. Es peligroso permitir que la manguera entre en contacto con cualquier superficie caliente.
- Mantenga limpias todas las partes del fogón incluyendo el conjunto de quemador y manguera. Para obtener más información sobre la limpieza del fogón, consulte la sección "Cuidado y limpieza" de este manual.

INFORMACIÓN IMPORTANTE DE SEGURIDAD

Advertencias generales (Cont.)

- No use este artefacto si alguna de sus partes estuvo debajo del agua. Llame inmediatamente a un técnico de servicio calificado para inspeccionar el fogón y substituir cualquier parte o sistema de control y cualquier control de gas que haya estado debajo del agua.
- NO use este fogón para cocinar.
- NO vierta agua en el fogón.
- NO intente mover ni guardar el fogón hasta que todas las partes estén frías.
- Siempre cierre el suministro de gas y desconecte la manguera cuando el fogón no esté en uso.
- Cualquier alteración de este fogón de exteriores que no esté específicamente detallada en el manual de operaciones anulará la garantía del fabricante. Esto incluye el uso de materiales de relleno no aprobados.

Advertencias de instalación

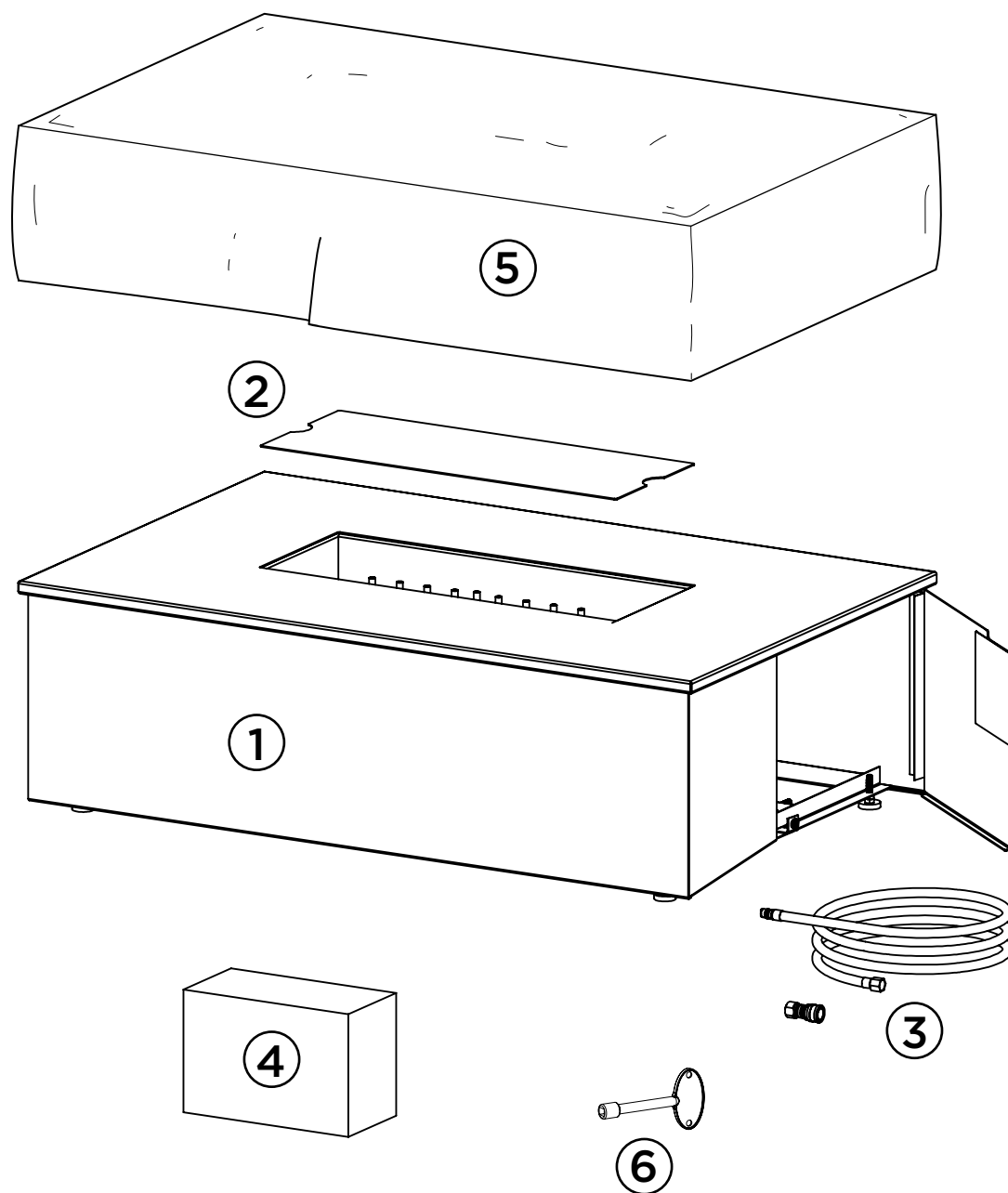
- Antes de cada operación, compruebe que no haya evidencias de abrasión o desgaste excesivo de la manguera. Utilice un espejo de mano para ver las secciones de la manguera ubicadas debajo de la unidad.
- Si la manguera está dañada, agrietada o con cortes, debe ser reemplazada antes de usar el fogón. El conjunto de la manguera sólo puede ser reemplazado por un conjunto de manguera especificado por Real Flame. Llame al 1-800-654-1704 para obtener ayuda.
- Coloque la manguera fuera del camino donde la gente pueda tropezar con ella. No coloque la manguera en áreas donde pueda sufrir daños accidentales.
- Antes de cada uso, examine el quemador y sus componentes para comprobar la existencia de suciedad y residuos. Si se requiere limpieza, utilice un cepillo de tuberías y una solución de agua y jabón. Examine también el área alrededor del quemador. Cualquier suciedad o material extraño, como por ejemplo telas de araña, nidos u hojas debe ser removido. Si es evidente que el quemador está dañado, no debe utilizarse el fogón, y el conjunto del quemador debe ser reemplazado. Comuníquese con Real Flame llamando al 1-800-654-1704 para obtener soporte técnico.
- No queme combustibles sólidos tales como: madera, briquetas de carbón, carbón vegetal, troncos manufacturados, madera balsa, basura, hojas, papel, cartón, madera enchapada, madera pintada o manchada o tratada a presión en este fogón de exteriores.

Advertencias durante el uso

- NUNCA DEJE este fogón desatendido cuando esté en uso.
- El abuso de alcohol, medicamentos recetados o no recetados, puede perjudicar la capacidad de un individuo para operar con seguridad este fogón.
- Utilice siempre de acuerdo con todos los códigos locales, estatales y nacionales aplicables. Póngase en contacto con su departamento local de bomberos para obtener detalles sobre fuegos al aire libre.
- NO USE en condiciones de viento. Los vientos de más de 10 mph pueden hacer que la llama se extinga.
- Algunas superficies de este fogón pueden calentarse durante el uso. Tenga cuidado y no toque las superficies hasta que la unidad se haya enfriado.
- No intente desconectar el suministro de gas del fogón cuando la unidad esté en uso.
- No se siente sobre el fogón.

LISTA DE PIEZAS

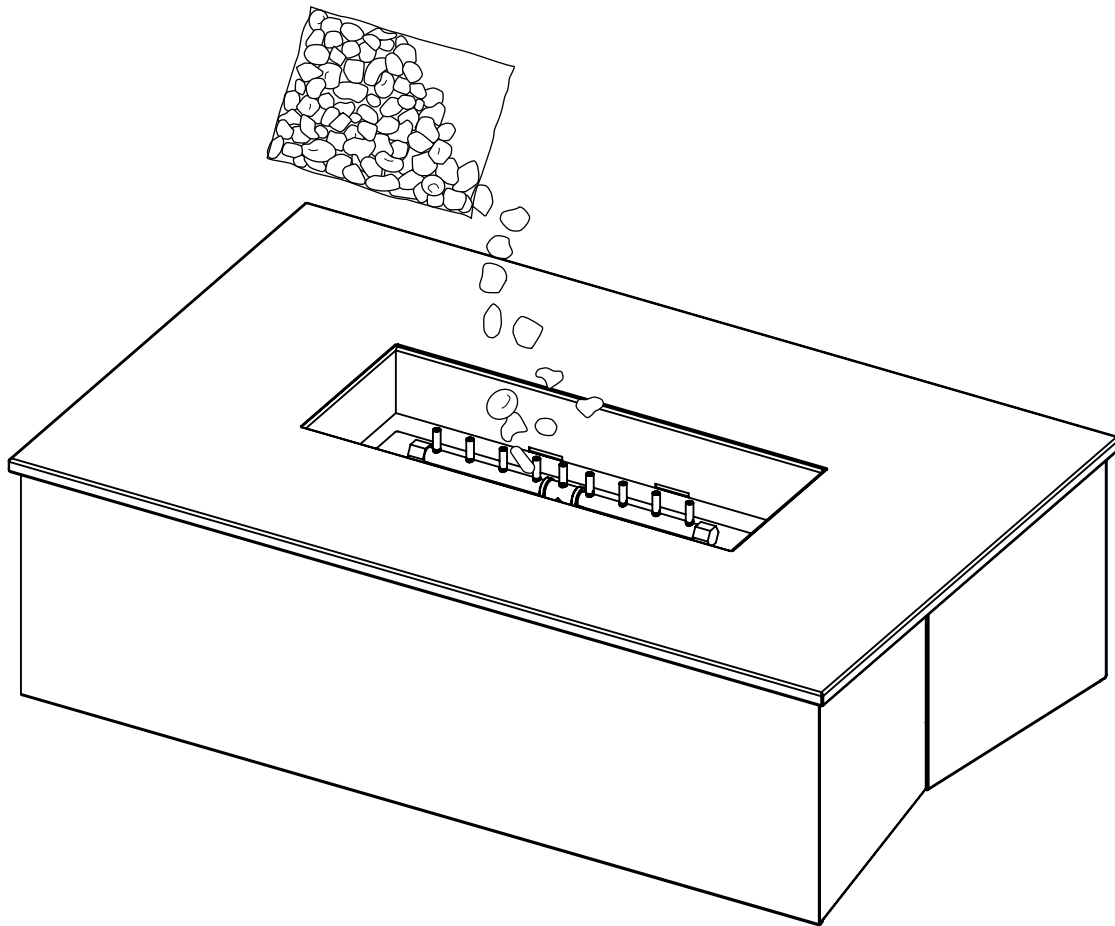
PRODUCTO	NUMÉRO R&B	NUMÉRO JCo	CANTIDAD
① Cuerpo del fogón	N/D	N/D	1
② Tapa	N/D	11122005	1
③ Manguera de GN y conector de conexión	N/D	056NG010	1
④ Roca de lava negra	970274	100240120J	1
⑤ Cobertura de protección	869214	11120002	1
⑥ Llave de válvula	711797	11110004	1



INSTRUCCIONES DE MONTAJE

1.) Coloque la roca de lava u otro material de relleno de Real Flame a mano en la zona de quemado. No vacíe la bolsa en el área del quemador, ni directamente sobre el quemador para evitar que el quemador se obstruya con polvo. Coloque el material de relleno a lo largo de la zona de encendido hasta alcanzar un nivel de una pulgada y media (1/2") por encima del quemador.

Si se utiliza un relleno de vidrio Real Flame, primero coloque una capa de 1,5" de la roca de lava incluida y luego coloque el relleno de vidrio encima de esa capa hasta alcanzar un nivel de una pulgada y media (1/2") por encima de la parte superior del quemador. Esto permite un mejor flujo de aire por debajo del quemador y disminuye la cantidad necesaria de relleno de vidrio.



Advertencia de material de relleno

- 1.** No llene excesivamente el área del quemador con relleno de rocas o vidrio; utilice sólo la cantidad especificada. La profundidad total del relleno no debe ser de más de media pulgada por encima del tubo del quemador. Sólo los productos de relleno Real Flame han sido certificados y probados para su uso seguro con este fogón. El uso de otros materiales de relleno puede resultar en un aumento de pequeñas explosiones y rajaduras o aumento de las emisiones de monóxido de carbono.
- 2.** No encienda ni utilice el fogón si el relleno está húmedo. Asegúrese de que el relleno esté completamente seco antes de encender. El calor intenso puede hacer que el relleno húmedo explote e impacte en alguien causando lesiones.
- 3.** Manténgase alejado del fogón durante al menos 20 minutos después del encendido inicial ya que el relleno podría retener algo de humedad proveniente de la fabricación y/o el envío.

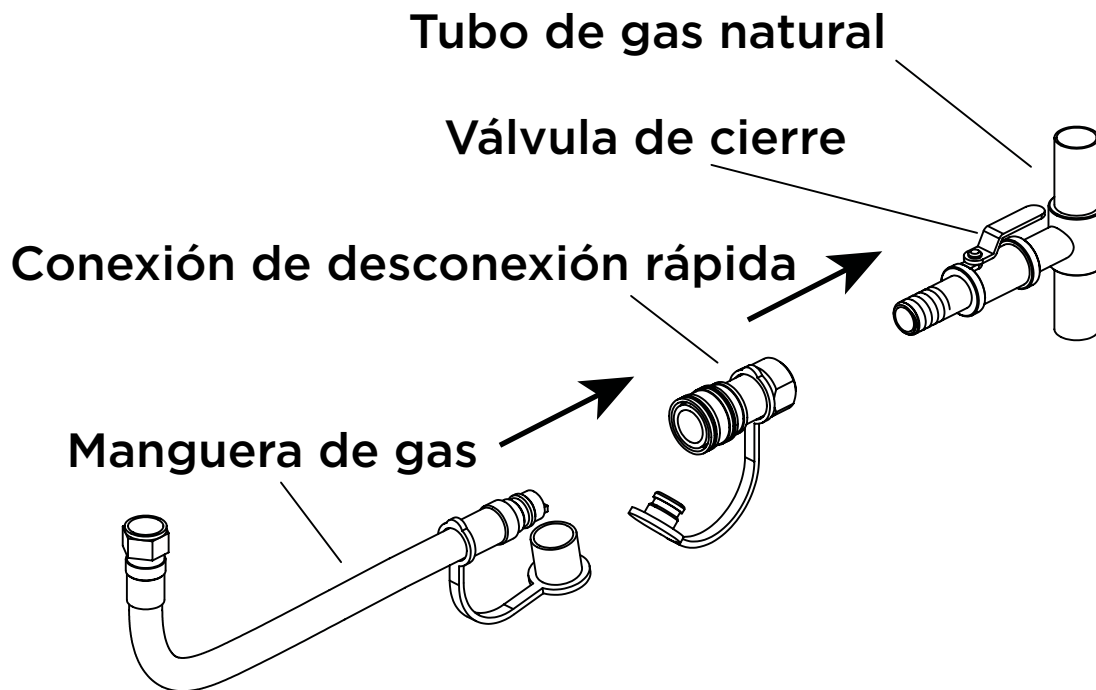
INSTRUCCIONES DE MONTAJE

3.) Conexión del fogón a la fuente de gas natural:

El Código Nacional de Gas Combustible recomienda una válvula de cierre instalada profesionalmente entre la tubería de suministro y la conexión y debe ser utilizada para este fogón. Un técnico de gas profesional o fontanero debe asegurarse de que el sistema de gas de su casa es capaz de proporcionar la cantidad correcta de gas a la presión correcta para el fogón para poder operarlo con seguridad y correctamente.

La conexión se debe realizar al aire libre. El diagrama a continuación muestra los componentes principales de una conexión estándar de gas natural.

Si la conexión se encuentra por debajo del fogón, ninguna parte de la manguera puede entrar en contacto con los paneles laterales o el panel de base del área del quemador cuando el fogón está en su posición normal de funcionamiento.

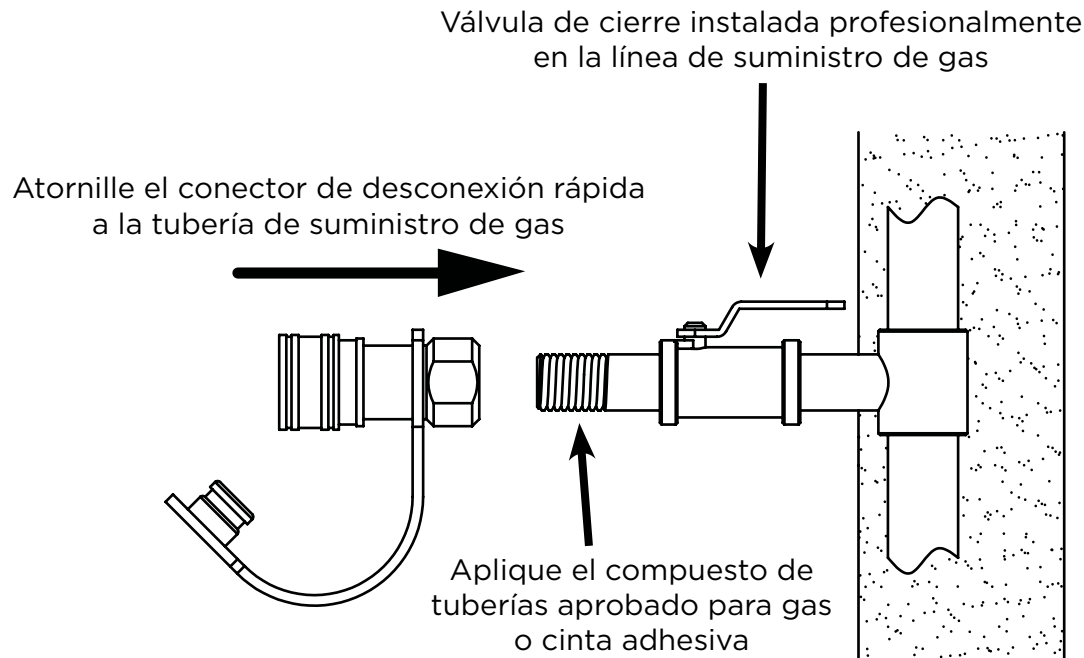


INSTRUCCIONES DE MONTAJE

4.) Realizar la conexión

Cubra la boquilla del tubo de suministro de gas con un compuesto de tubería aprobado para gas o cinta adhesiva. Atornille el conector de desconexión rápida incluido con el fogón en el tubo de suministro de gas.

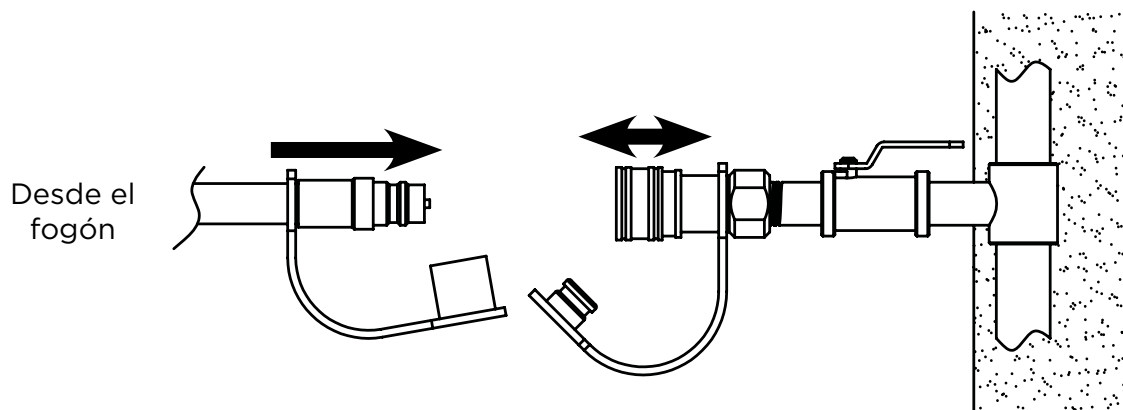
La desconexión rápida no debe fijarse permanentemente a la manguera de gas en el fogón. La dirección del flujo de gas está indicada en el conector.



5.) Uso del conector de desconexión rápida

Utilizando una mano, tire hacia atrás del mango del conector de desconexión rápida y con la otra mano, inserte el extremo no conectado de la manguera de gas del fogón en el conector. Suelte el mango y continúe presionando la manguera en el conector hasta que el mango encaje en la posición bloqueada.

Después de realizar la conexión, realice una comprobación de fugas como se describe en la página siguiente.



INSTRUCCIONES ANTES DEL USO

ADVERTENCIA

Antes de usar el fogón, asegúrese de haber leído, comprendido y seguido toda la información proporcionada en este manual. El incumplimiento de estas instrucciones puede ocasionar daños a la propiedad, lesiones graves o la muerte.

Verificar fugas

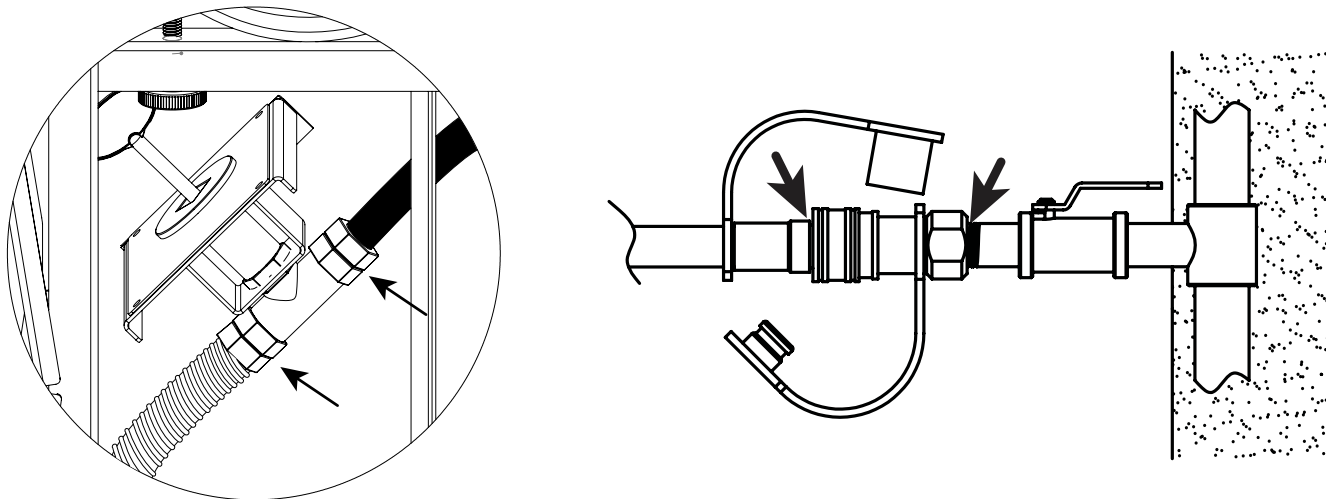
Prepare una solución para el control de fugas mezclando 1 parte de detergente/jabón lavavajillas con 3 partes de agua en una envase pulverizador.

Asegúrese de que la perilla de control esté en la posición CERRADO, luego conecte el fogón a la línea de suministro de gas.

Rocíe la solución jabonosa en las conexiones de la válvula, prestando especial atención a las áreas indicadas por las flechas y los diagramas a continuación.

Si aparecen burbujas, cierre el suministro de gas, desconecte la manguera e inspeccione todas las conexiones asegurándose de que las roscas de encuentran libres de residuos. Vuelva a conectar la manguera, abra el suministro de gas y vuelva a probar. Si continúa viendo burbujas, cierre el suministro de gas, desconecte la manguera y llame a Real Flame al 1-800-654-1704 para obtener asistencia.

Si no aparecen burbujas después de un minuto, limpie el exceso de la solución jabonosa y continúe a la etapa siguiente.

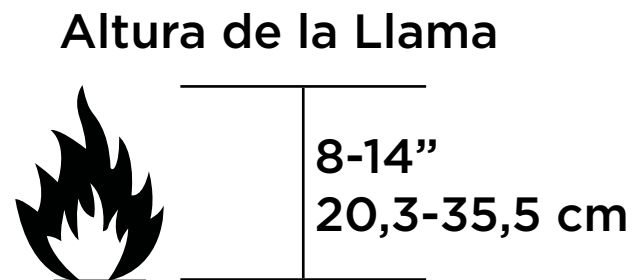
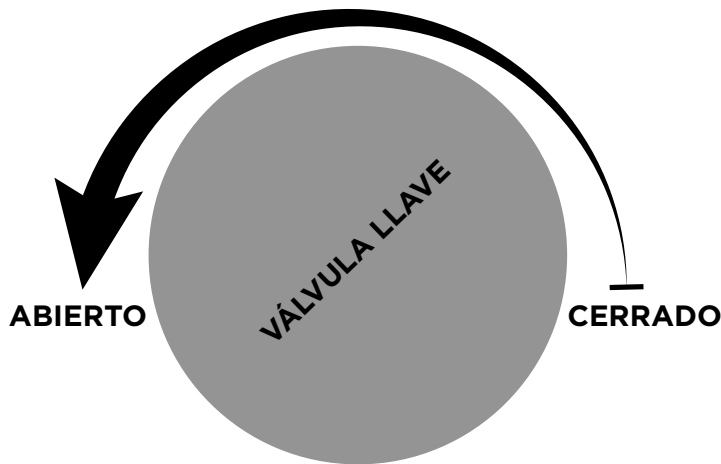


Preste mucha atención a las áreas indicadas por las flechas

INSTRUCCIONES DE ENCENDIDO

Encendiendo la Mesa de Fuego

1. Lea y comprenda todas las instrucciones de funcionamiento antes de encender.
2. Antes de comenzar, asegúrese de que la válvula de la llave esté en la posición CERRADO.
3. Conecte el fogón al suministro de gas y asegúrese de que el gas esté encendido (consulte las páginas anteriores).
4. Coloque un fósforo largo encendido o encendedor largo de gas butano encendido próximo al lateral del quemador.
5. Inserte la llave de la válvula y gire lentamente la válvula en sentido antihorario hacia la posición ABIERTO.
6. Una vez que el quemador fue encendido, retire el fósforo / encendedor. Observe la llama, asegúrese de que todos los puertos del quemador estén encendidos.
7. Ajuste la llama a la intensidad deseada mediante la válvula llave.
8. **ADVERTENCIA:** Si el encendido no se realiza en 15 segundos, gire la llave de la válvula a la posición "CERRADO" y desconecte el gas en el tanque. Asegúrese de que no existe una fuente de ignición alrededor del fogón y espere al menos cinco minutos hasta que el gas se haya despejado para repetir el procedimiento de encendido. Si no lo hace, podría producirse una llamarada grande del gas acumulado, causando daños a la propiedad o lesiones.



Instrucciones de cierre

1. Mediante el uso de la llave, gire la válvula a la posición CERRADO.
2. Una vez que la llama está apagada, retire la llave y apague el gas.
3. 3. Guarde la llave en un lugar seguro.

CUIDADO Y LIMPIEZA

Inspeccionar el fogón



ADVERTENCIA

NO inspeccione, limpie, mueva o almacene el fogón hasta que las llamas estén TOTALMENTE apagadas y todas las partes estén frías al tacto.

Este fogón debe ser inspeccionado regularmente para asegurar que el producto es seguro y para extender la vida del mismo y sus partes.

Para inspeccionar el fogón, siga estos pasos.

1. Asegúrese de que todas las piezas estén firmemente sujetas en su lugar. Si una pieza se mueve al tocarla, compruebe sus puntos de conexión para ver si están flojos.
2. Compruebe todas las conexiones en busca de fugas utilizando el método de control de fugas descrito en la sección "Comprobar fugas" de este manual.
3. Compruebe el sistema de encendido pulsando el botón del encendedor y verificando que se está generando una chispa en la carcasa del mismo.
4. Verifique todos los componentes para comprobar la existencia de cualquier signo de daños, herrumbre o desgastes excesivos.
5. Si se detecta algún daño en algún componente, NO utilice el fogón hasta que se hayan realizado las reparaciones adecuadas.



ADVERTENCIA

NO manipule indebidamente este artefacto. Eso es peligroso y anulará la garantía.

Las reparaciones y modificaciones deben ser aprobadas por Real Flame y completadas por un técnico profesional de gas.

El fogón ha sido probado y certificado por una agencia de certificación independiente en base a sus partes específicas y únicas. La instalación de otras partes anulará tanto la certificación como la garantía. Para obtener las piezas de repuesto aprobadas, comuníquese con Real Flame llamando al: 1-800-654-1704

Cuidado general y limpieza

Después de un uso repetido, se puede producir una ligera decoloración o desgaste del acabado del fogón. Este fogón debe ser limpiado regularmente para garantizar el uso seguro del producto y para extender la vida útil del mismo.

Limpieza general

Prepare una solución de limpieza con jabón neutro mezclado con agua. Use un paño suave para limpiar las superficies exteriores y enjuague con agua limpia. Nunca utilice limpiadores de horno o solventes abrasivos ya que los mismos dañarán el fogón.

Quemador

El quemador se debe mantener limpio para asegurar el funcionamiento correcto. Los puertos del quemador obstruidos pueden limpiarse con un clip o con un pasador. Los residuos en el quemador se pueden limpiar con aire comprimido o un cepillo de tuberías.

Hollín

Después del uso es posible que se acumule hollín en algunas superficies, ese depósito de hollín generalmente se desprenderá con una solución de agua y jabón neutro.

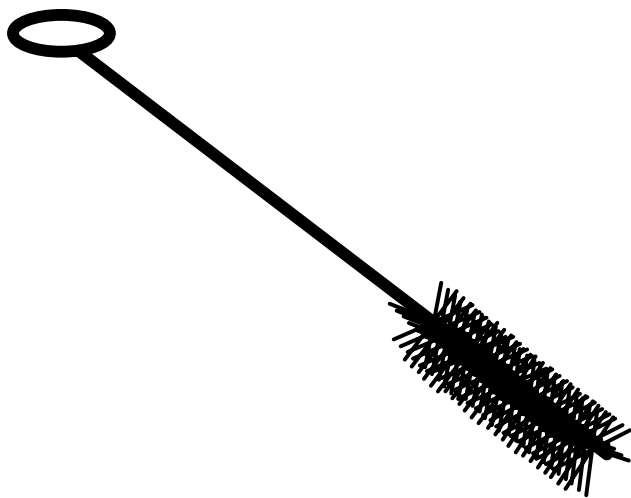
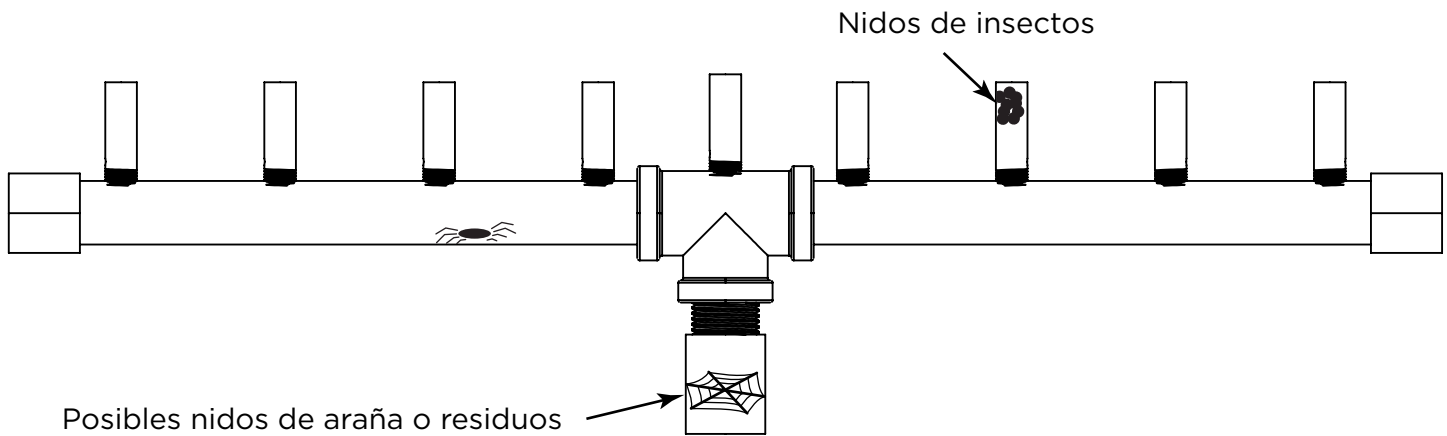
Almacenamiento

1. Cierre el suministro de gas en la válvula de cierre. Desconecte el conector de conexión rápida y asegure la manguera de manera que no se dañe.
2. Asegure todo el material de relleno o partes sueltas.
3. Cubra el fogón cuando no esté en uso. Cubrir el fogón protege los componentes mecánicos de la suciedad y residuos, evita que el agua se acumule en la superficie y previene la decoloración del acabado.
4. Almacene el fogón en un lugar fresco y seco, lejos del alcance de niños y mascotas.

ADVERTENCIA DE ARAÑAS DE INSECTOS

Las arañas y otros insectos pueden construir telas o nidos en el fogón, que pueden obstruir o bloquear el flujo del gas.

Parte del gas puede retroceder hacia el tubo de combustión y provocar un llamarada de retroceso (fuego en el tubo de combustión o debajo del fogón) lo que podría producir lesiones personales o daños a la propiedad. Compruebe y limpie el tubo de quemado periódicamente usando un cepillo de limpieza de tuberías (como se muestra a continuación) disponible en cualquier ferretería y de ser posible con aire comprimido.



**Ejemplo de cepillo para
limpieza de tuberías
disponible en ferreterías.**

CONSEJOS Y SOLUCIÓN DE PROBLEMAS

Si el fogón no se enciende o no permanece encendido

Asegúrese de que la válvula de cierre de gas está completamente abierta y que la conexión entre la manguera y el conector de desconexión rápida es correcta. Verifique que la llave de la válvula no esté desmontada y que la válvula esté abriendo y cerrando. Asegúrese de que la manguera no tenga ningún doblez ni estrangulamiento agudo.

Otros problemas comunes

Quemador obstruido

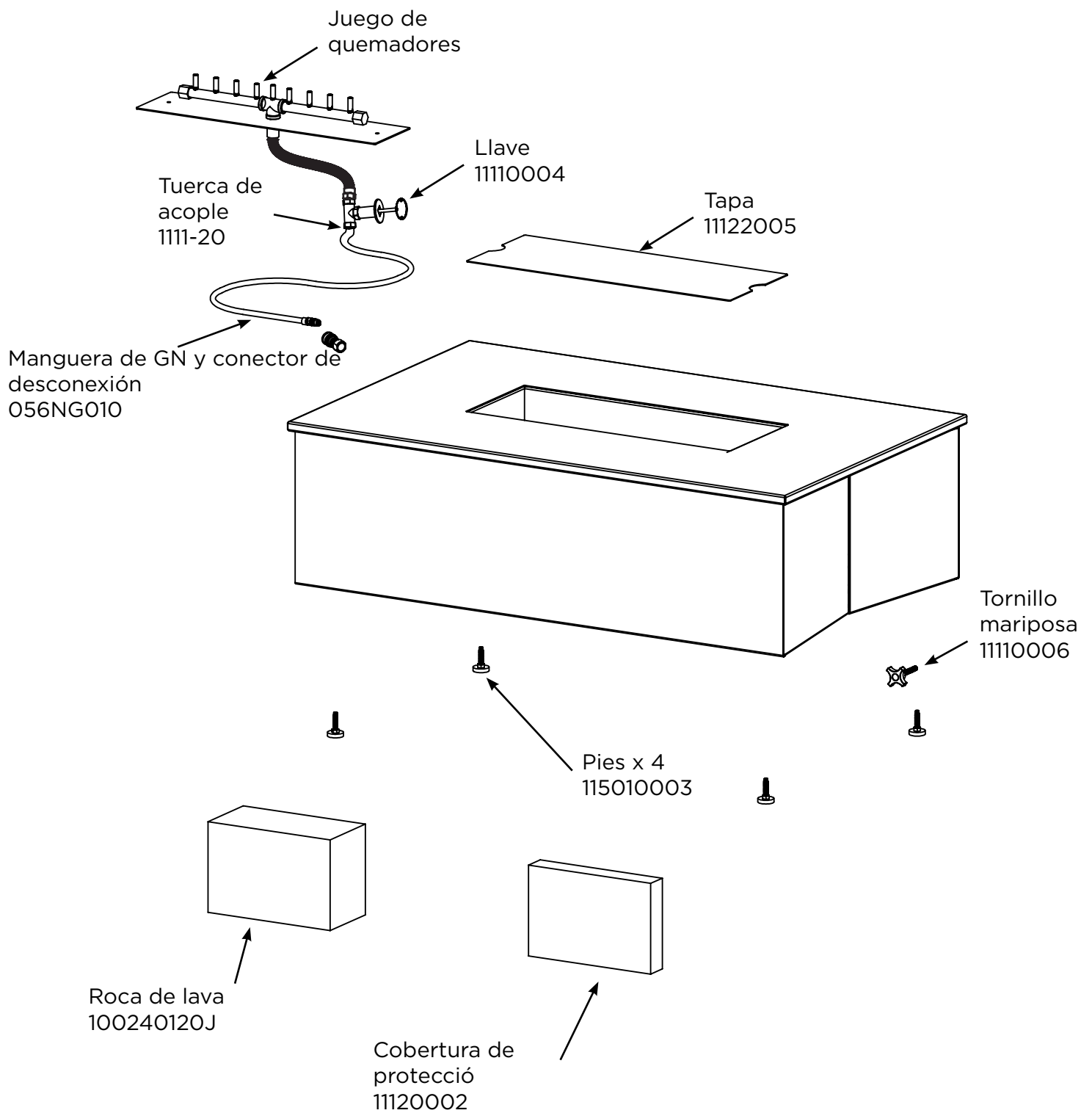
Es común que insectos, especialmente arañas, tejan redes o nidos dentro de los tubos del quemador. Si parece que está recibiendo poco o ningún flujo de gas, revise visualmente todas las aberturas en el quemador para detectar señales de obstrucción. Si percibe que algo obstruye el quemador, intente usar aire comprimido para eliminar dichos residuos.

Vientos fuertes

Los vientos fuertes pueden hacer que la llama se apague. No utilice el fogón condiciones de vientos fuertes.

**Si continúa teniendo problemas con el fogón,
comuníquese con el servicio de atención al cliente
de Real Flame llamando al: 1-800-654-1704**

LISTA TÉCNICA DE PARTES



POLÍTICAS DE GARANTÍA Y DEVOLUCIÓN

Garantía

Real Flame® Company garantiza el cuerpo y los componentes internos de esta chimenea de gas están libres de defectos en sus partes en condiciones de uso y servicio normales por un período de 2 años a partir de la fecha de compra. El tubo de combustión y las boquillas tienen una garantía de por vida. En el caso de tales defectos Real Flame podrá, a su discreción, sustituir el producto defectuoso o devolver el precio de compra. Lo anterior es la única solución de remedio y Real Flame niega todas las demás garantías, incluyendo cualquier garantía implícita de comerciabilidad o la aptitud para un propósito particular. Además, Real Flame no será responsable de los daños consecuentes que excedan el precio de compra del producto en el que se basa dicha responsabilidad.

Política de devolución

Comuníquese con el servicio de atención al cliente de Room & Board llamando al 1-800-301-9720 para obtener la política de devolución completa.

Piezas de repuesto

En el caso de que un ítem haya sido perdido o dañado, ya sea por el fabricante o durante el envío, se puede solicitar un reemplazo. Las piezas de repuesto no están disponibles para todas las unidades y sólo se ofrecen a discreción de Real Flame. Evaluaremos cualquier daño y encontraremos una solución, que podría incluir el envío de un reemplazo. No hay reemplazos disponibles para productos discontinuados o productos reembalados (caja abierta). Llame al Servicio de Atención al Cliente de Real Flame al 800-654-1704 para obtener las piezas de repuesto antes de devolver el artículo dañado. Tenga a mano la siguiente información (que puede encontrar en el manual de instrucciones) antes de llamar al Servicio de atención al cliente.

- Número de modelo del artículo
- Número de pieza de 4-8 dígitos
- Dirección de envío
- Se puede solicitar una foto del artículo dañado. Las fotografías deben enviarse a custserv@realflame.com

Si una pieza se ha perdido o dañado después de 30 días, comuníquese con Room & Board para obtener opciones de reemplazo. 1-800-301-9720

Producto recibido incorrecto

Si recibió algo diferente a lo que ordenó, comuníquese con el Servicio al cliente de Room & Board al 1-800-301-9720 dentro de las 48 horas de haber recibido el artículo.

Room & Board Customer Service
Atención al cliente: 1-800-301-9720

Real Flame Customer Service
Atención al cliente: 1-800-654-1704 en EE.UU.
Atención al cliente: 1-800-363-6443 en Canadá
custserv@realflame.com