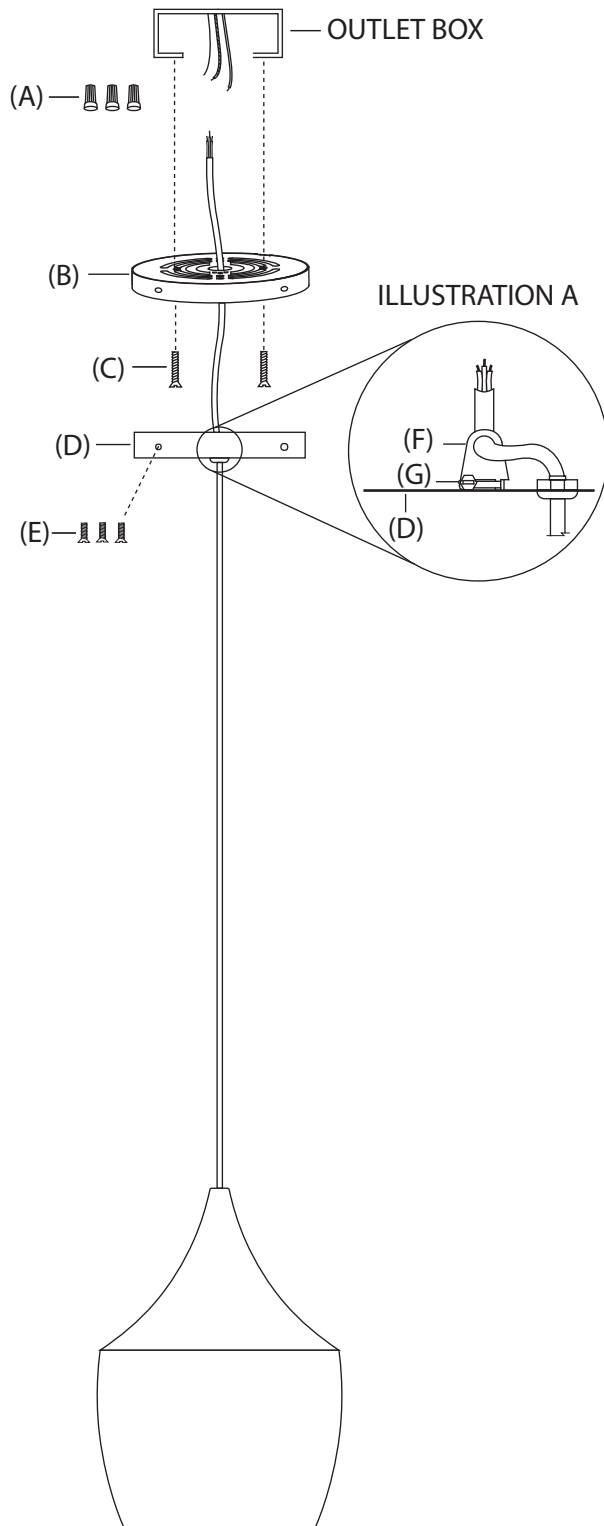


assembly instructions: aurora 10 inch bell pendant

List of Parts

- (A) Wire Nuts
- (B) Mounting Plate
- (C) Mounting Screws
- (D) Canopy
- (E) Canopy Screws
- (F) Wire Clamp
- (G) Screw



Safety Instructions:

- * These instructions are provided for your safety. It is very important that they are read completely before beginning the installation of your fixture.
- * WE STRONGLY RECOMMEND INSTALLATION BY A LICENSED ELECTRICIAN.
- * Turn off power at switch before replacing bulbs.

Assembly Instructions:

1. SHUT OFF THE MAIN ELECTRICAL SUPPLY FROM THE MAIN FUSE BOX/ CIRCUIT BREAKER.
2. Remove all parts carefully from the carton. Do not throw away any parts.
3. Remove mounting plate (B) from canopy (D) by removing canopy screws (E). Set canopy screws (E) aside.
4. Affix mounting plate (B) to ceiling outlet box with mounting screws (C), provided.
5. Measure desired drop for fixture to hang.
6. From inside canopy (D), loosen screw (G) on wire clamp (F). Guide cord through hole in canopy (D) and slide it to the position of desired drop. Pass cord through clamp (F) and tighten screw (G). If necessary, cut excess cord, leaving 5 or 6 inches of length for wire connections.
7. Lift canopy (D) to ceiling outlet box; make proper electrical connections. A LICENSED ELECTRICIAN IS RECOMMENDED.
8. Attach ground wire from the fixture (green or copper in color) to the ground wire in outlet box. Fasten wires together with wire nut (A) and tightly wrap connection with electrical tape.
9. Attach hot wire from fixture (black in color, or smooth side of wire) to hot wire from ceiling outlet box. Fasten wires together with wire nut (A) and tightly wrap connection with electrical tape.
10. Attach neutral wire from fixture (white in color or ribbed side of wire) to neutral wire from ceiling outlet box. Fasten wires together with wire nut (A) and tightly wrap connection with electrical tape.
12. Gently push wire connections back into ceiling outlet box. Place canopy (D) flush against ceiling. Use canopy screws (E) to attach the canopy to the mounting plate.
13. Insert one (1) 100W MAX. Type A, medium base bulb into the socket.

** To clean, wipe surfaces with a soft, dry cloth. Do not use chemical or abrasive cleaners as they can damage the finish. **