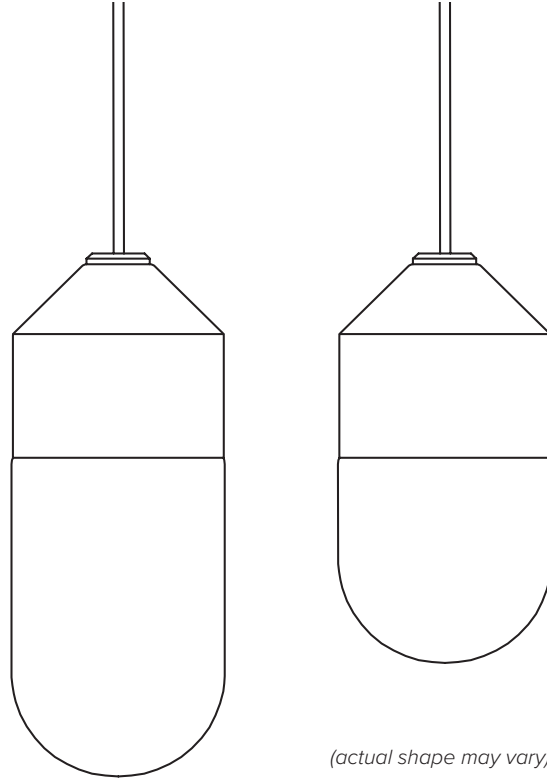


BALLAD PENDANT



(actual shape may vary)



CAUTION

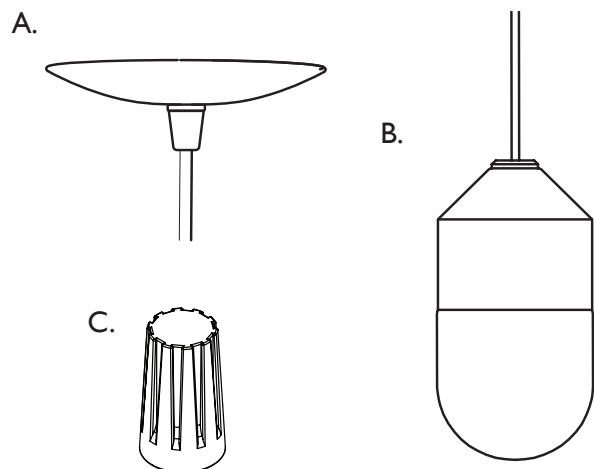
- It is strongly recommended that the hardwire installation of this product is done by a professional.
- Read these safety instructions entirely prior to installation.
- DO NOT BEGIN INSTALLATION UNTIL ALL ELECTRICAL POWER TO THE INSTALLATION SITE HAS BEEN TURNED OFF AT THE CIRCUIT BREAKER!

Recommended Tools

- Wire Strippers
- Flat Head Screwdriver

This Product Includes

- A. Ballad Canopy Assembly
- B. Ballad Pendant
- C. Wire Nuts (x2)



(hardware not to scale)

Installation Instructions

Cut power to circuit

- 1 Use a tape measure to determine the desired cord length for your pendant. To adjust the cord length, loosen the black plastic cap on the ceiling canopy assembly. Use wire cutters to cut the cord about six inches above the canopy assembly.
- 2 Use wire strippers to cut back the outer protective cover from the wires, then remove approximately 1/2" of the protective cover of each of the individual wires.
- 3 Using the included wire nuts, twist together the wires from the pendant with their corresponding wires from the junction box. Tuck the excess wire up into the junction box.
- 4 Use mounting screws to connect the steel crossbar to your existing junction box.
- 5 Lift the canopy to the junction box, then thread the strain relief onto the exposed threads until tight.
- 6 Screw in LED bulb and attach glass shade with shade holder set screws.
- 7 Slide metal stamping down onto glass shade and thread bushing until the assembly is tight.
- 8 Return power to circuit and turn on light.

