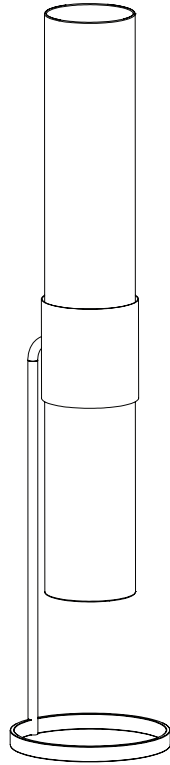
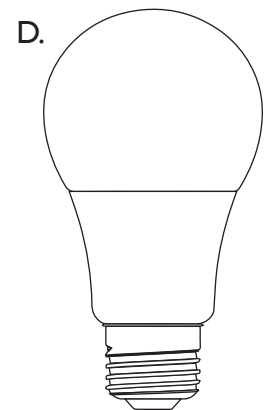
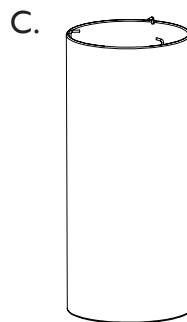
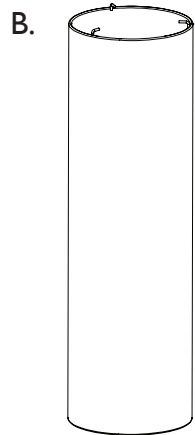
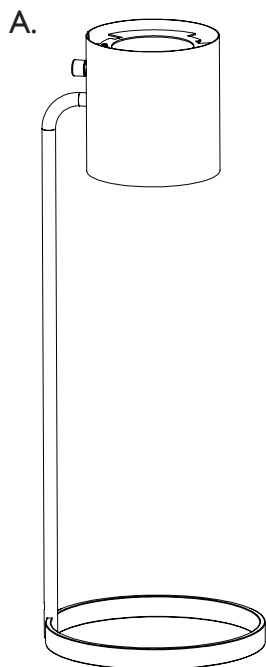


CEDRIC FLOOR LAMP



THIS PRODUCT INCLUDES:



(bulb not to scale)

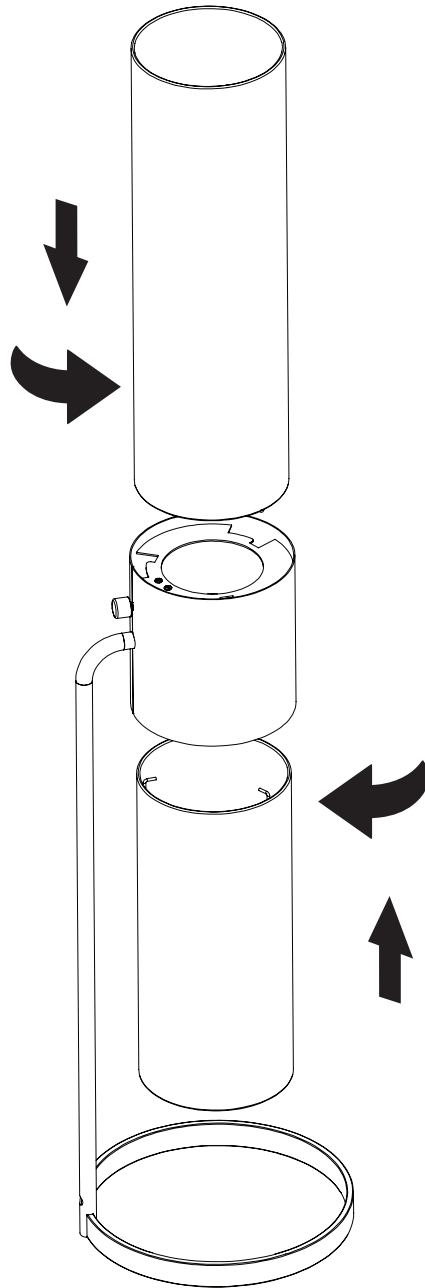
- A. - Cedric lamp base
- B. - Upper lamp shade
- C. - Lower lamp shade
- D. - Dimmable LED light bulb

1

Screw in both L.ED light bulbs before attaching the upper and lower lamp shades.

2

To attach the upper and lower lamp shades, insert the metal tabs protruding from the shades into their corresponding slots located inside the bulb housing. Lock the shades in place by twisting them along the circular path of the slots. Orient the shades so that the vertical seam in the fabric is located at the back of the lamp after installation. Use caution not to bend or deform the shades during assembly.



SPECIAL CONSIDERATIONS:

Not all light bulbs are dimmable. Order replacement bulbs at roomandboard.com.