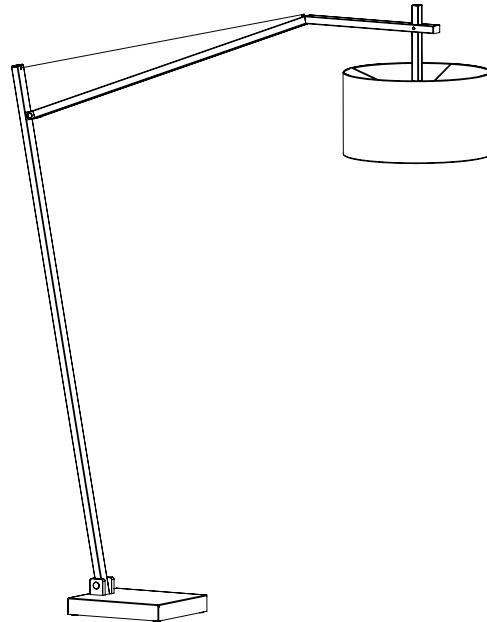


CLARKSON FLOOR LAMP

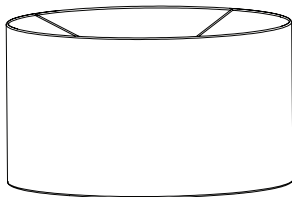


CAUTION:

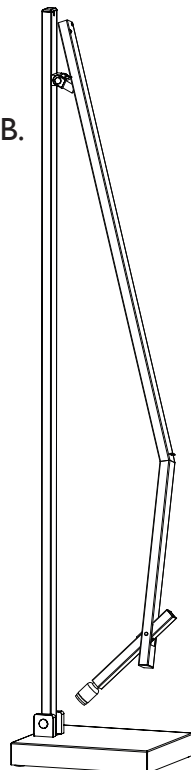
- It is strongly recommended that installation of this product is done by two people.
- READ these instructions entirely prior to installation.
- Assembly of this lamp requires minor lifting. Improper handling of heavy components could result in damage to the product.

THIS PRODUCT INCLUDES:

A.



B.

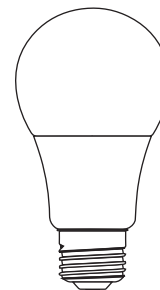


C.



(not to scale)

D.



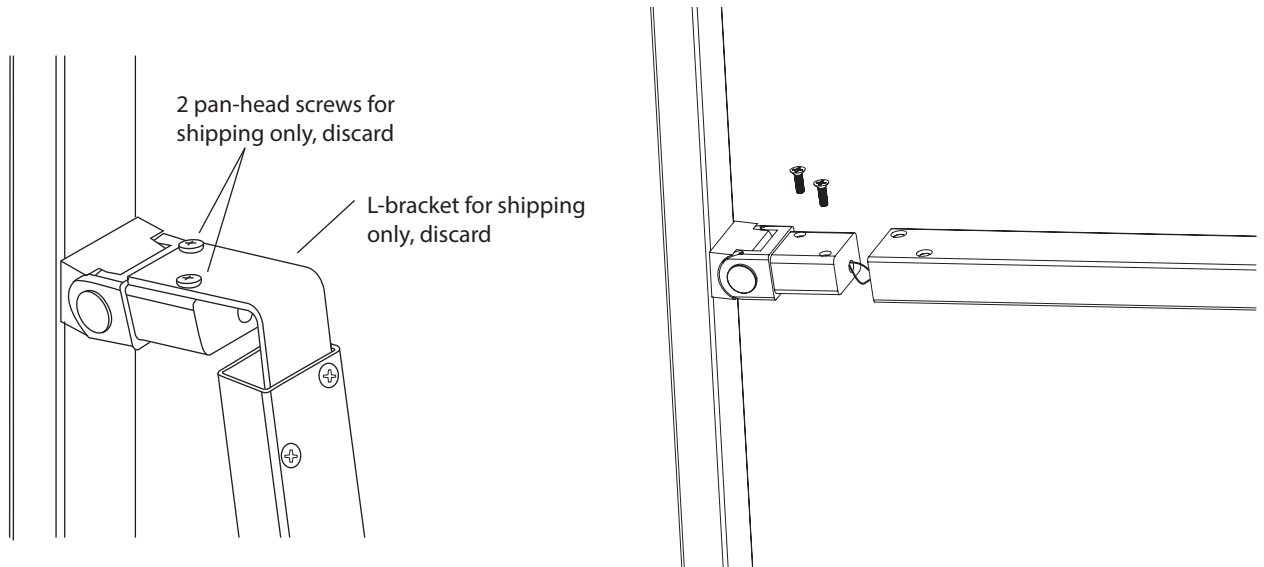
- A. - Lamp shade
- B. - Clarkson base assembly
- C. - 3/16" Allen wrench
- D. - Dimmable LED bulb

1

Carefully remove the base assembly packaging to prevent twisting the electrical cords that run between the upper and lower arms. Remove the small block at the base, which prevents the lower arm from shifting in transit. Do not allow the looped tension cable to kink or become pinched.

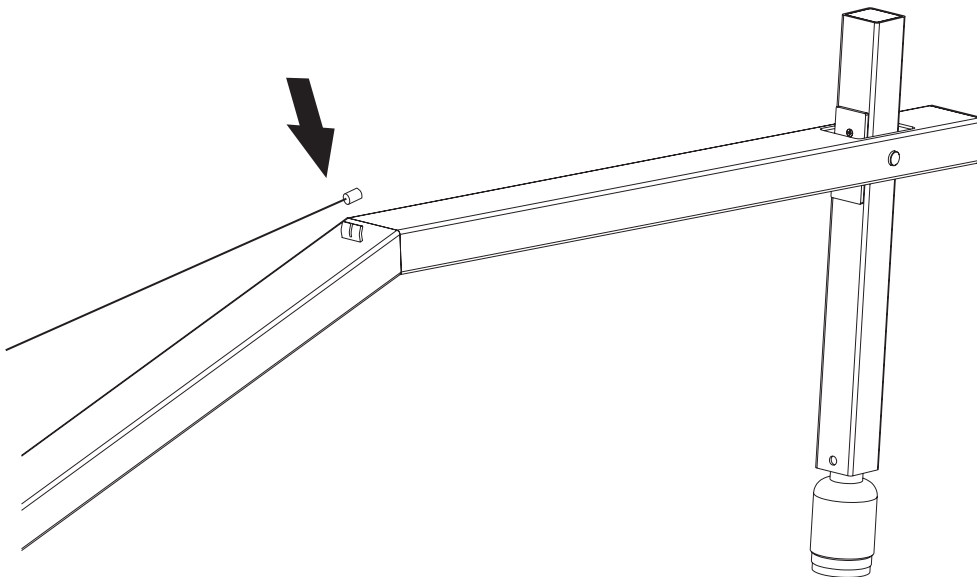
2

Before attaching the upper arm to the lower arm, use a Phillips head screwdriver to remove the L bracket that hold the arms together. This L-bracket is for shipping purposes only and can be discarded along with the two screws connecting it to the lower arm. The two screws connecting the L-bracket to the upper arm are to be reused to connect the two arms. Carefully tuck any excess wire into the upper arm while sliding it onto the pivoting post at the connection point. Then fasten the arms together using those screws.



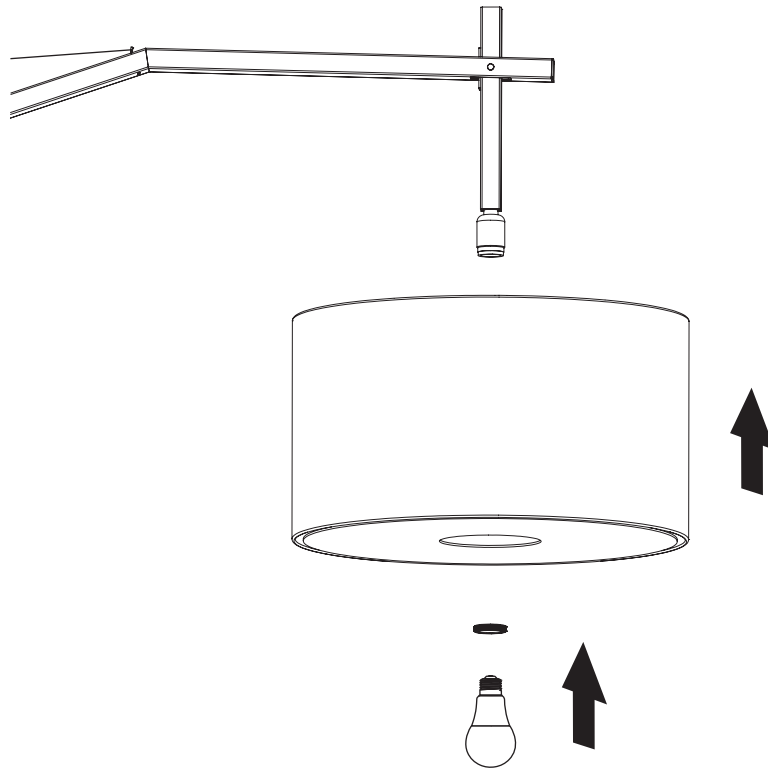
3

Now you'll attach the tension cable to the upper arm. With the help of a second person gently tip the lamp onto its side and pivot the upper arm to its highest position. Carefully straighten the tension cable, ensuring it does not kink or twist, and stretch it along the top of the upper arm. Push the cable anchor (located at the end of the cable) into the anchor clip on the upper arm. Note: Before lowering the upper arm for the first time, inspect the cable to be sure it is not twisted or improperly guided into the lower arm opening in any way.



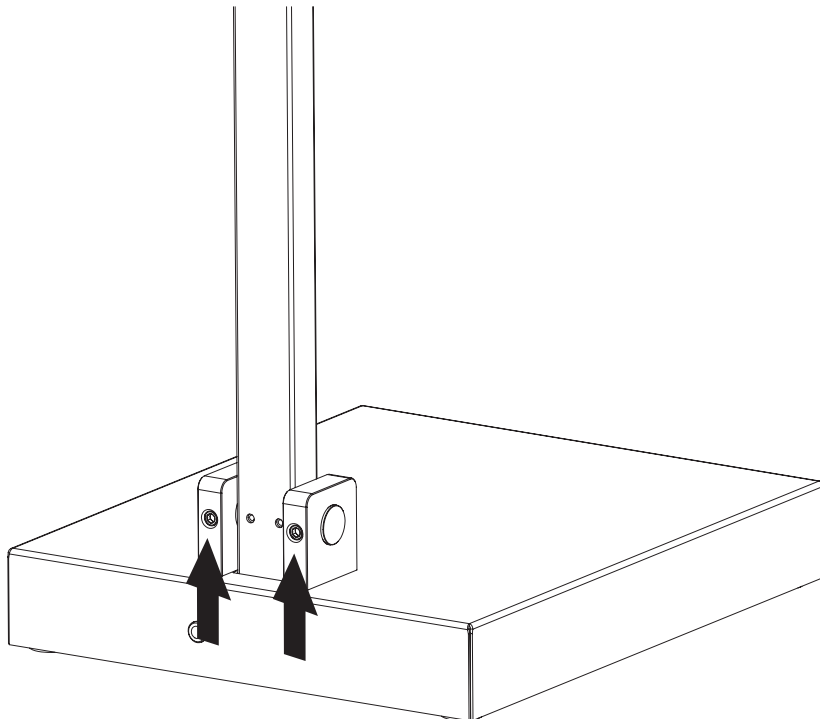
4

Gently tip the lamp upright to install the lamp shade and bulb. To attach the lamp shade, remove the threaded ring on the socket, then slide the metal shade ring up and over the socket. Hold the upper part of the socket while simultaneously tightening the threaded shade ring to the socket from below. Screw in the light bulb.



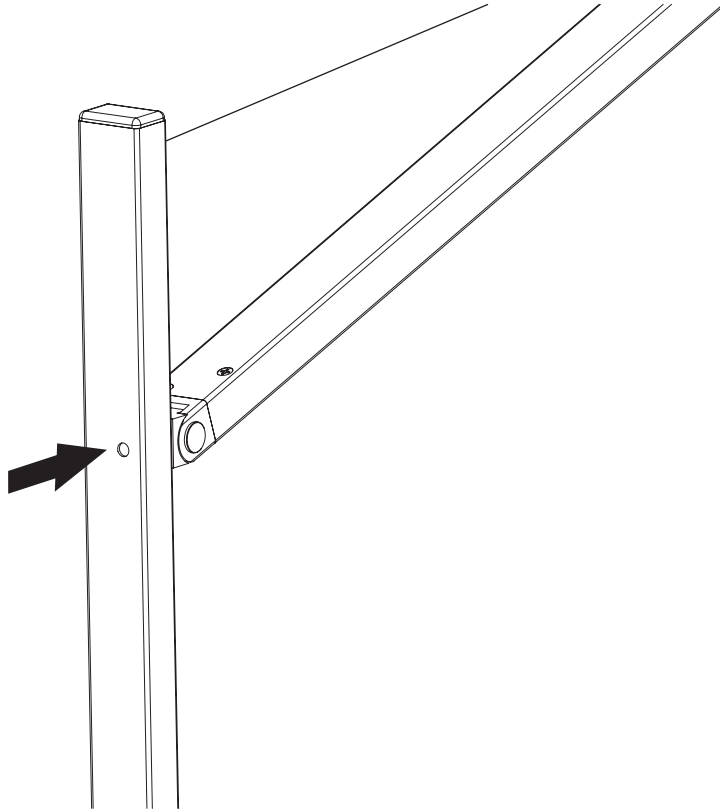
5

To adjust the pressure of the hinge connecting the base to the lower arm, use the included 3/16" Allen wrench to tighten or loosen the two set screws on the back of the base. The lower arm should be loose enough to move freely when the lamp's position is adjusted, yet tight enough to maintain the position when unsupported.



6

To adjust the pressure of the hinge connecting the upper arm to the lower arm, remove the black plastic plug at the back of the lamp and use the included 3/16" Allen wrench to tighten or loosen the internal set screw. The upper arm should be loose enough to move freely when the lamp's position is adjusted, yet tight enough to maintain the position when unsupported. Remember to save the Allen wrench for future adjustments.



SPECIAL CONSIDERATIONS:

Not all light bulbs are dimmable. Order replacement bulbs at roomandboard.com

To avoid damage to this product, whenever possible, utilize the help of a second person when moving, adjusting or assembling.