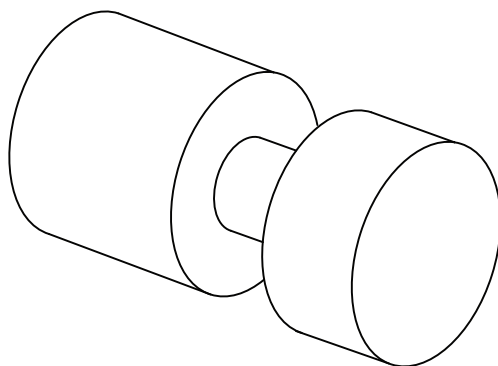


### CYRIL



---

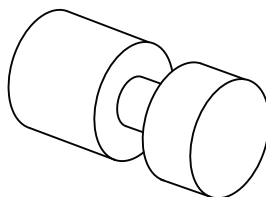
## Recommended Tools

- Level
- Pencil
- Power Drill
- 1/16" Drill Bit
- #2 Phillips Head Screwdriver

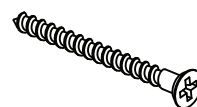
## This Product Includes

- A. Cyril Wall Hook
- B. Screw
- C. Threaded Mount
- D. Drywall Anchor

A.



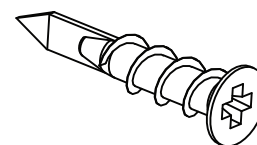
B.



C.



D.



*(hardware not to scale)*

# Installation Instructions

- 1 Mark the placement of your hook on your wall with a pencil. If installing a row of hooks, use a level for accurate placement. With a power drill, use a 1/16" drill bit to drill a pilot hole where you want your hook. Use a #2 Phillips head screwdriver to screw the wall anchor into the pilot hole so it is flush with your wall.

**Tip: Use care not to drive the anchor past the surface of the drywall.**

- 2 Place the screw through the threaded mount and into the drywall anchor. Using a #2 Phillips head screwdriver, tighten the screw into the drywall anchor until the threaded mount is flush with the wall.

- 3 Place the Cyril wall hook onto the threaded mount and tighten clockwise until the hook is tight against the wall.

