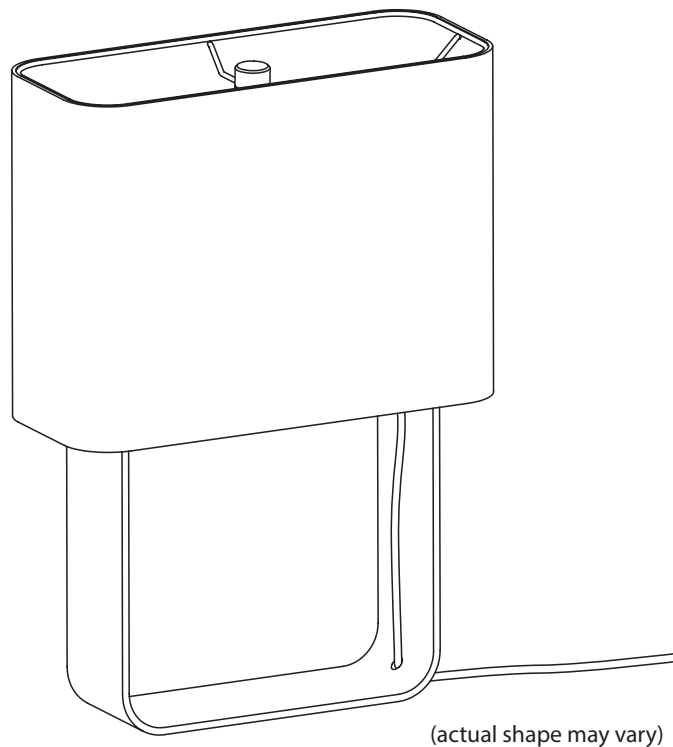


## DUO SMALL AND LARGE TABLE LAMP (NOT FOR DUO MICRO)

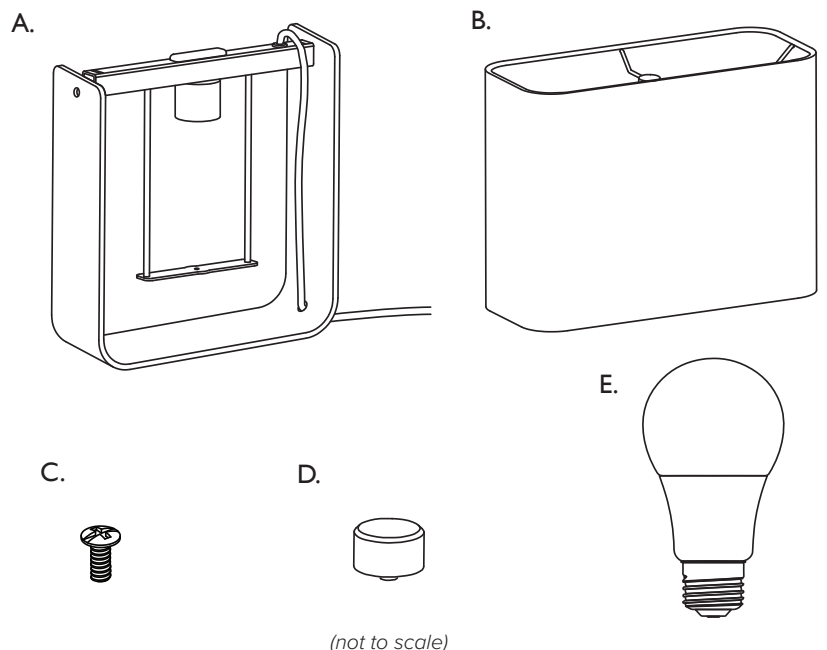


### Recommended Tools

- Phillips Head Screwdriver

### This Product Includes

- A. Duo Lamp Base
- B. Duo Lamp Shade
- C. Assembly Screws (x2)
- D. Finial
- E. Bulb(s)



# Assembly Instructions

- 1 The Duo Lamps ship with the harp and bulb socket inverted, for protection.
- 2 Use a Phillips head screwdriver to remove screws.
- 3 Gently pull top corners of Duo lamp base and remove the harp/socket component.
- 4 Flip component, so socket and harp facing upwards place the horizontal tube back onto square mounts.  
**Note: Make sure power cord is not wrapped around horizontal tube after flipping component. See figure 3 for proper cord placement.**
- 5 Return screws to location and tighten with Phillips head screwdriver
- 6 Place shade on top, and tighten down with finial.

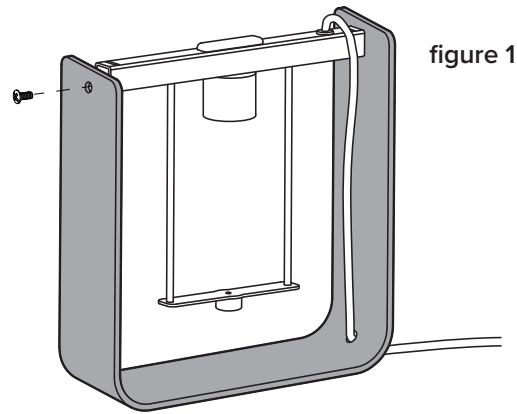


figure 1

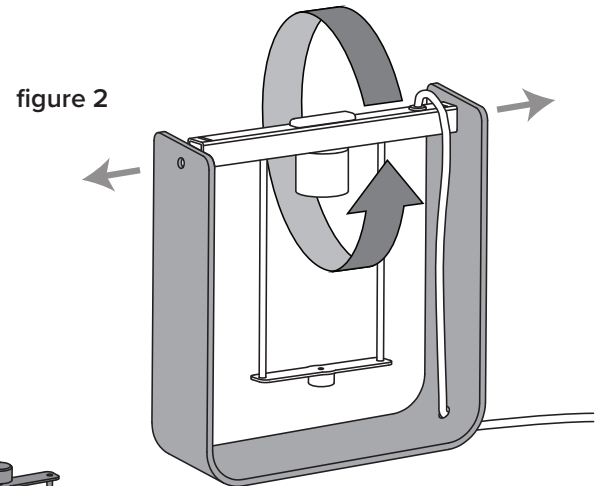


figure 2

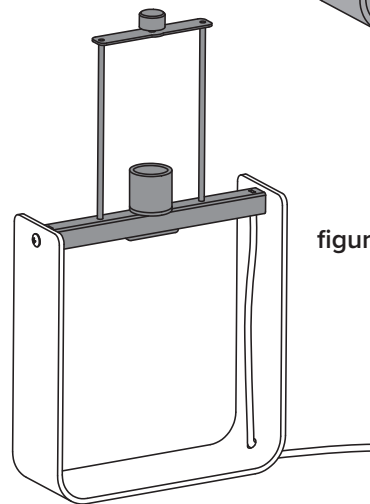


figure 3

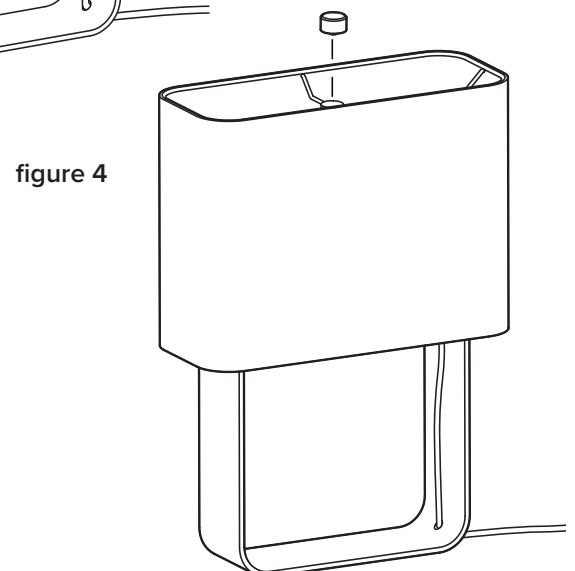


figure 4