

SPECIAL CONSIDERATIONS:

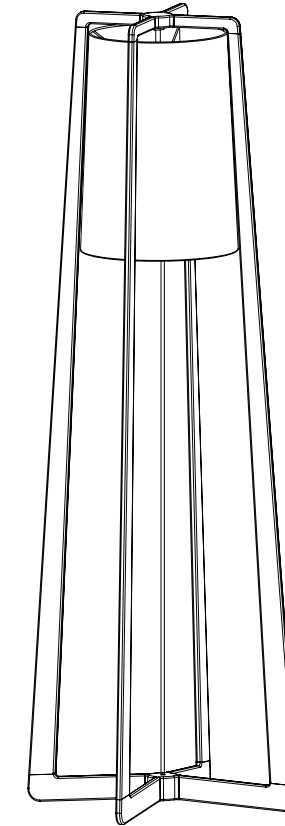
Room & Board recommends LED bulbs with all light fixtures.
This lamp has a 3-way socket; however, not all light bulbs are compatible with 3-way sockets.
Recommended LED bulbs can be purchased at roomandboard.com

Room&Board

ASSEMBLY INSTRUCTIONS

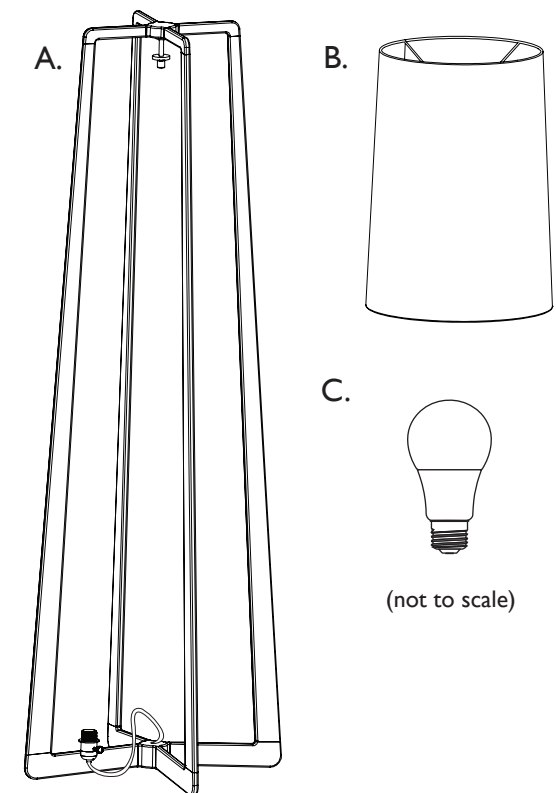
Keep these instructions for future use

FAIRBANKS FLOOR LAMP



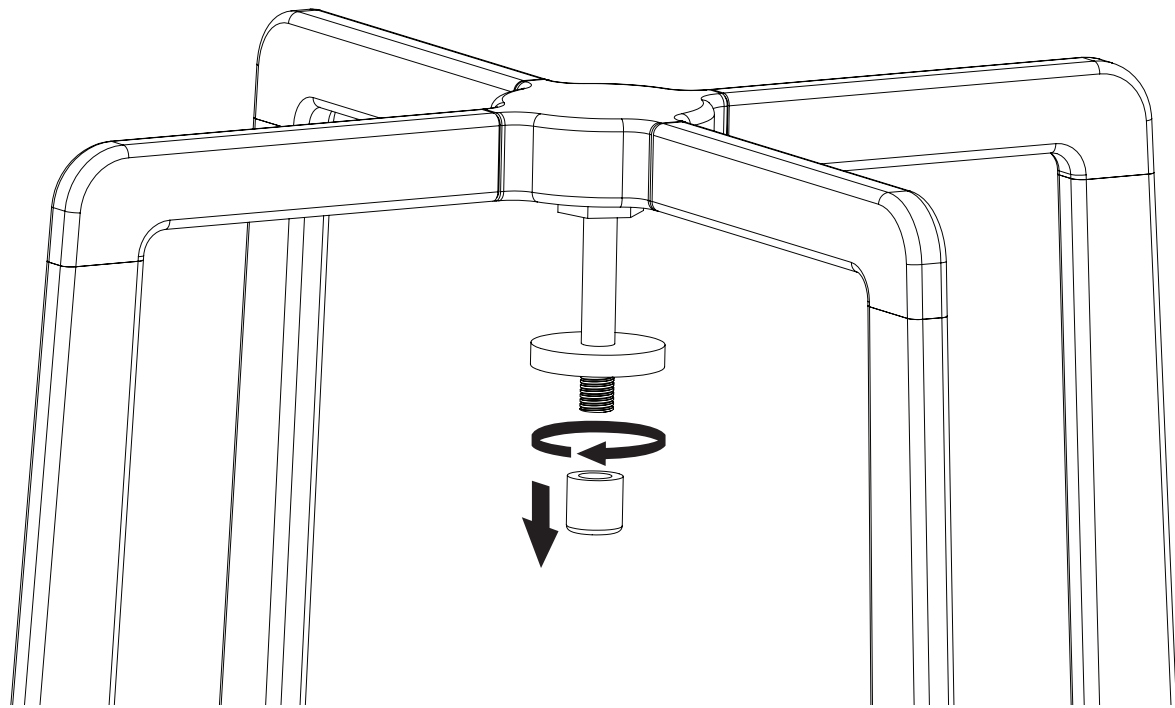
THIS PRODUCT INCLUDES:

- A. Wooden frame with attached socket assembly
- B. Shade
- C. LED 3-way light bulb



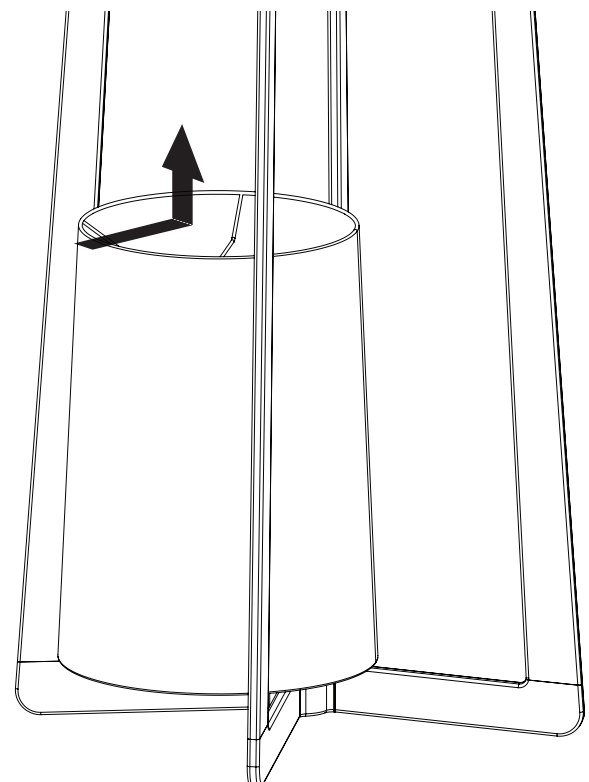
1

Remove the brass finial from the bottom of the downrod at the upper hub of the wooden frame.



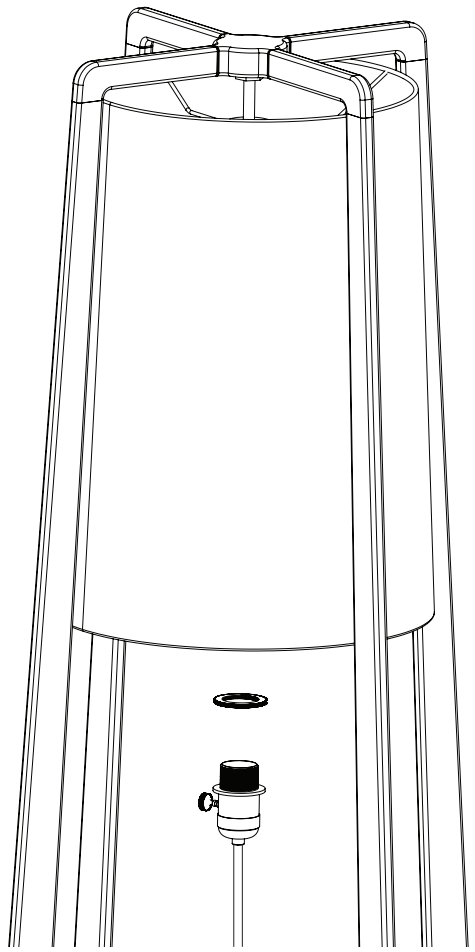
2

Insert the shade into the wooden frame between any two of the vertical frame posts at the lowest point. Lift the shade up onto the downrod and use the previously removed finial to secure the shade in place.



3

Unscrew the socket ring from the socket assembly. Insert the threaded portion of the socket up into the shade's lower washer. Twist the socket ring back into place to attach the socket to the shade.



4

Pull any excess cord down through the bottom hub of the wooden frame. Screw the included LED 3-way light bulb into the socket before plugging in the lamp.