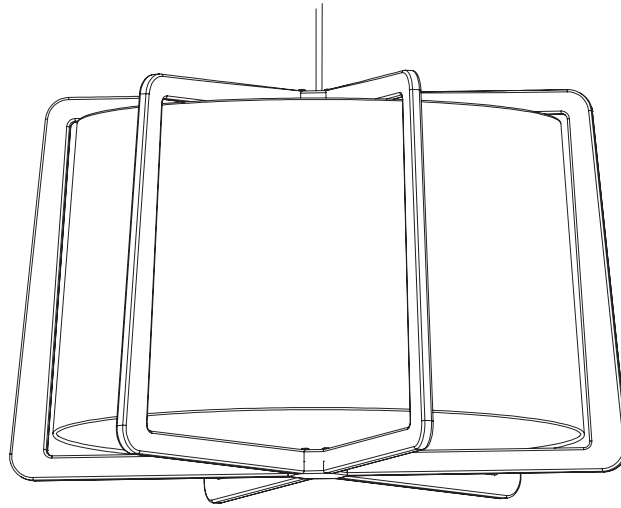


FAIRBANKS PENDANT



CAUTION:

- It is strongly recommended that installation of this product is done by a professional.
- READ these safety instructions entirely prior to installation.
- DO NOT BEGIN INSTALLATION UNTIL ALL ELECTRICAL POWER TO THE INSTALLATION SITE HAS BEEN TURNED OFF AT THE CIRCUIT BREAKER!

RECOMMENDED TOOLS AND MATERIALS:

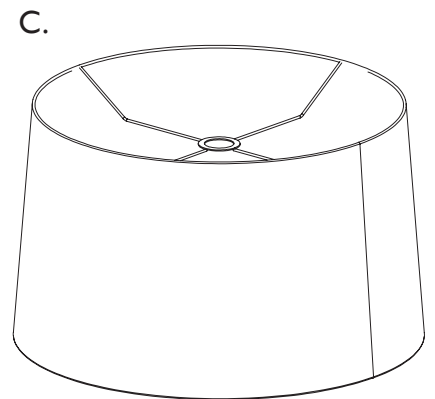
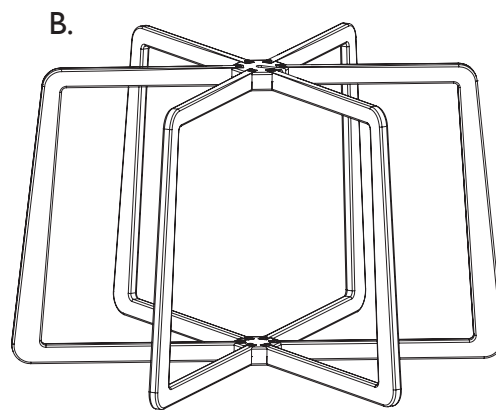
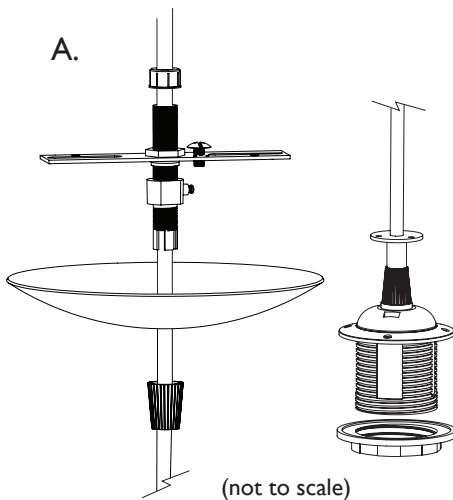
Phillips screwdriver
Wire strippers

Flat blade screwdriver
Wire nuts

Wire cutters
Pliers

Electrical tape

THIS PRODUCT INCLUDES:

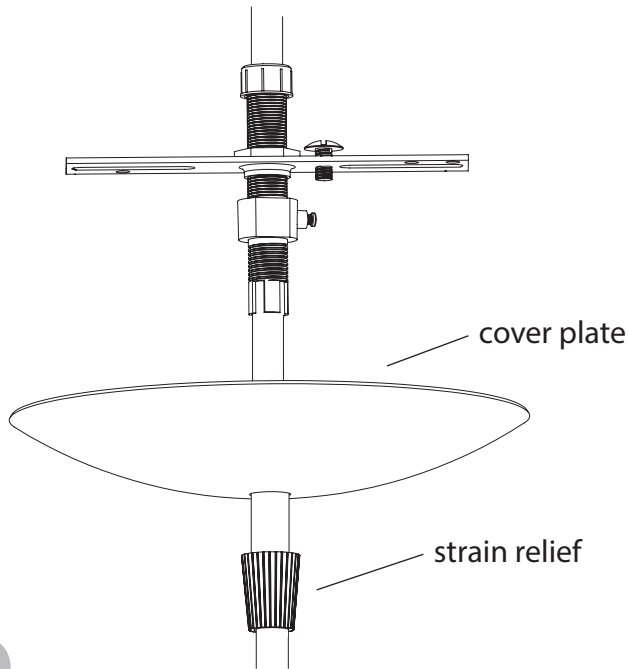


- A. - Canopy cord kit assembly
- B. - Wooden frame
- C. - Inner shade

NOTE: This pendant is designed for hardwire mounting to an existing junction box and wall switch only. If you do not have an existing junction box and corresponding wall switch, hire a licensed professional to install them.

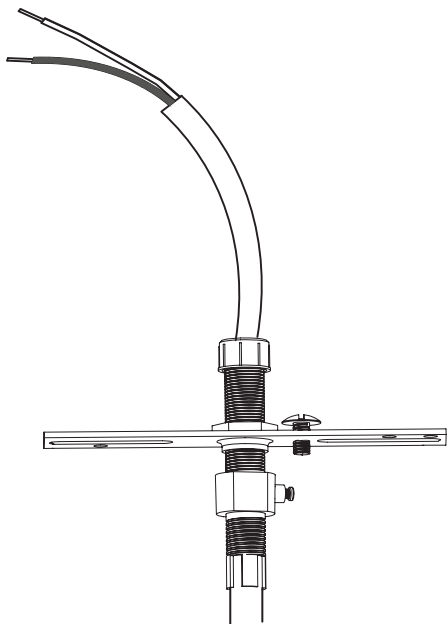
1

Separate the canopy cover plate from the canopy cord kit assembly by loosening the strain relief. Pull the pendant cord through the assembly until desired cord length is achieved.



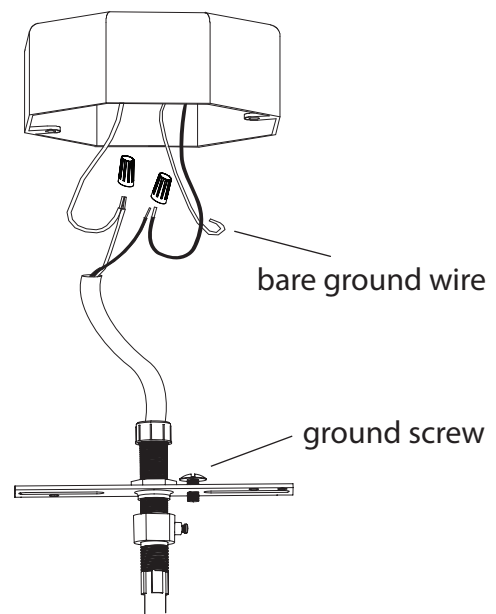
2

Cut the excess pendant cord approximately 6 inches above the canopy cord kit assembly. Starting at the cut end, carefully strip back about half of the pendant cord's outside insulation. Next, strip back approximately 3/4" of the insulation on the two inner wires.



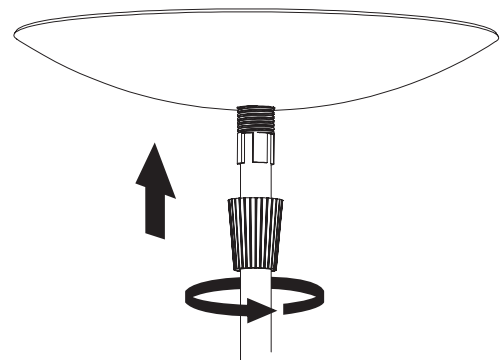
3

Use your junction box's mounting screws (not included) to fasten the steel crossbar to your junction box. Use wire nuts (not included) to twist together wires from the junction box to the corresponding wires of the pendant. The ground wire from your junction box can be fastened directly to the steel crossbar using the provided green ground screw.



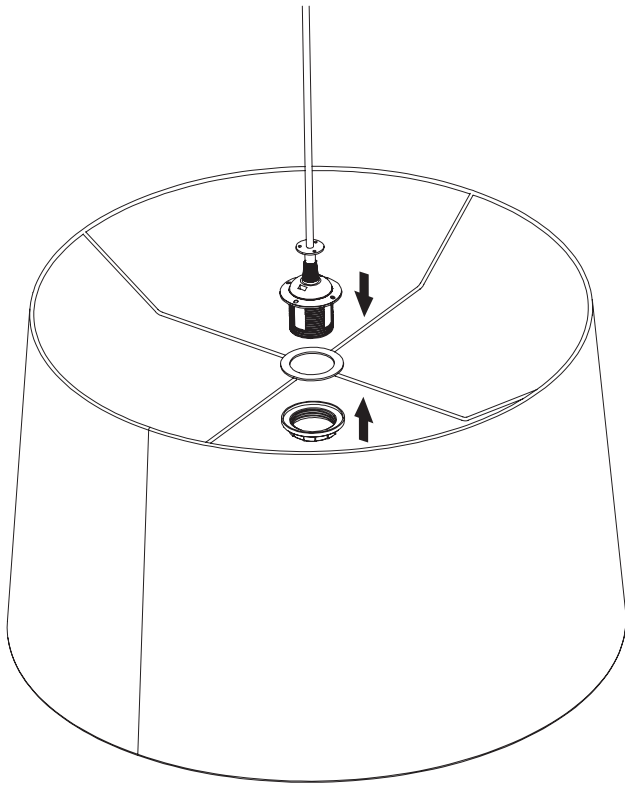
4

Slide the cover plate up the pendant cord and tighten it in place with the strain relief. Slight adjustments can be made to the cord length by loosening the strain relief and pushing or pulling the pendant cord accordingly.



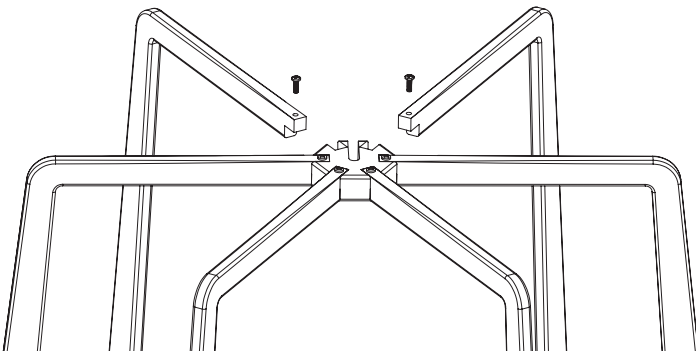
5

Unscrew the threaded ring from the socket at the lower end of the canopy cord kit. Insert the socket into the metal ring of the inner shade and use the threaded ring to fasten the components together.



6

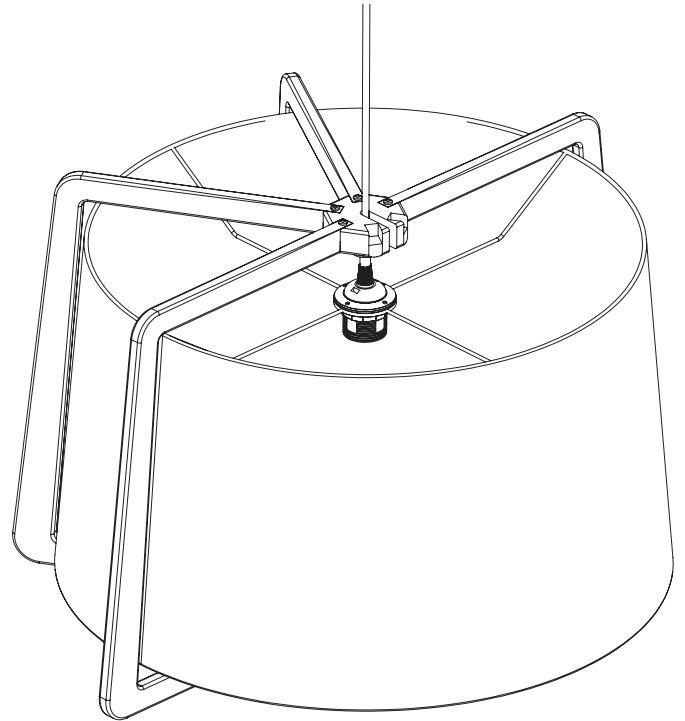
Remove the 2 arms of the wooden frame on either side of the cord channel using a Phillips screwdriver to remove the 4 assembly screws.



NOTE: The 4 remaining arms of the wooden frame are not removable, do not remove the square-head screws.

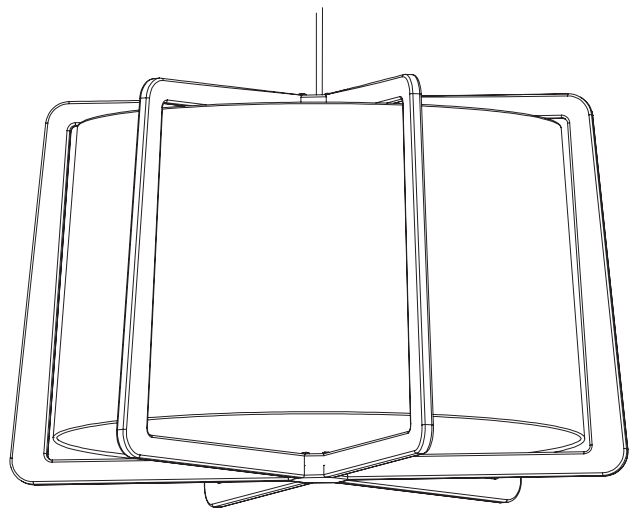
7

Insert the inner shade into the wooden frame and center the top hub onto the brass support. The pendant cord should pass through the cord channel on the top hub.



8

Reattach the previously removed wooden frame arms using the 4 assembly screws using a Phillips screwdriver. Use caution not to over tighten the screws.



9

Screw any standard E26 lightbulb into the socket before turning the power back on at the circuit breaker.

SPECIAL CONSIDERATIONS:

Room & Board recommends LED bulbs with all light fixtures.

This pendant is dimmable, however not all light bulbs are dimmable. Recommended LED bulbs can be purchased at roomandboard.com