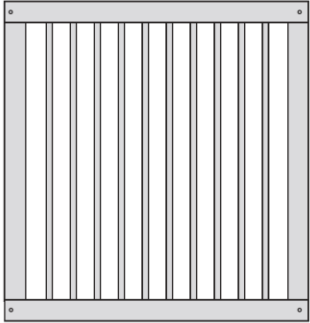


CRIB ASSEMBLY INSTRUCTIONS

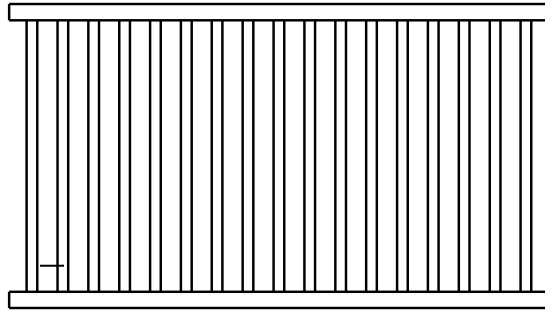
for Flynn Crib

PARTS INCLUDED IN CARTON

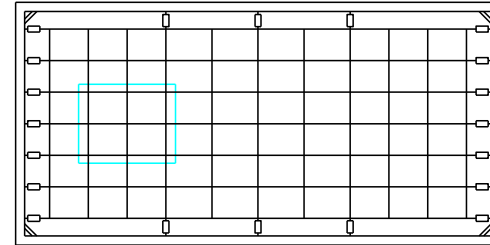
2 – END PANELS



2 – SIDES



1 – MATTRESS SUPPORT SPRING

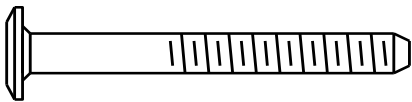


2 – FEET



PARTS INCLUDED IN HARDWARE BAG

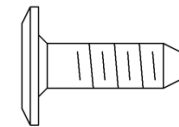
12 – DECORATIVE BOLTS (50mm)



12 – LOCK WASHERS



4 – SERRATED BOLTS (20mm)



1 – BALL END ALLEN WRENCH



CRIB ASSEMBLY INSTRUCTIONS

For Flynn Crib

- Read all instructions before assembling crib.
- Keep instructions for future use.



WARNING: INFANTS CAN SUFFOCATE ON SOFT BEDDING. NEVER ADD A PILLOW OR COMFORTER. NEVER PLACE ADDITIONAL PADDING UNDER AN INFANT.

- To reduce the risk of SIDS, pediatricians recommend healthy infants be placed on their backs to sleep, unless otherwise advised by your physician.

Strangulation Hazard:

- Strings can cause strangulation! DO NOT place items with a string around a child's neck, such as hood strings or pacifier cords. DO NOT suspend strings over a crib or toddler bed or attach strings to toys.
- To help prevent strangulation tighten all fasteners. A child can trap parts of the body or clothing on loose fasteners.
- DO NOT place crib or toddler bed near window where cords from blinds or drapes may strangle a child.

Fall Hazard:

- When child is able to pull to a standing position, set mattress to lowest position and remove bumper pads, large toys and other objects that could serve as steps for climbing out.
- Stop using crib when child begins to climb out or reaches the height of 35 in. (89cm).



WARNING: FAILURE TO FOLLOW THESE WARNINGS AND ASSEMBLY INSTRUCTIONS COULD RESULT IN SERIOUS INJURY OR DEATH.

CAUTION: ANY MATTRESS USED IN THIS CRIB SHALL BE AT LEAST 27 ¼ INCHES (69 CM) BY 51 5/8 INCHES (131 CM) WITH A THICKNESS NOT EXCEEDING 6 INCHES (15 CM).

- Check this product for damaged hardware, loose joints, loose bolts or other fasteners, missing parts, or sharp edges before and after assembly and frequently during use. Securely tighten loose bolts and other fasteners. DO NOT use crib if any parts are missing, damaged or broken. Contact your **ROOM & BOARD® STORE** or **EL GRECO WOODWORKING** for replacement parts and instructional literature if needed. DO NOT substitute parts.
- If refinishing, use a non-toxic finish specified for children's products.
- Follow warnings on all products in a crib.
- Never use plastic shipping bags or other plastic film as a mattress covers because they can cause suffocation.
- Infants can suffocate in gaps between crib sides and a mattress that is too small.
- PERIODICALLY CHECK TO SEE THAT ALL BOLTS ARE SECURELY TIGHTENED.

DO NOT USE POWER TOOLS!

- STEP 1: Mount one **Side** to the rear edge of the **End Panels**. Use four **Decorative Bolts** and **Lock Washers** to fasten the side to the end panels. DO NOT tighten the bolts completely yet.
- STEP 2: Install the **Mattress Support Spring** in the crib with the flat side up. Extend the mounting flange on each corner and attach the spring to end panels at the desired level using four **Serrated Bolts**. The top position is recommended for newborns. The bottom position must be used when the baby is able to kneel or stand in the crib.
- STEP 3: Mount the other **Side** to the posts of the front edge of the **End Panels**. Use four **Decorative Bolts** and **Lock Washers** to fasten the side to the end panels. Tighten all bolts, including the ones from the first side, with the **Allen wrench** provided.
- STEP 4: Flip the structure upside down, and attach the **Feet** with 2 bolts on each. Flip the crib over onto its feet.
- STEP 5: Once the crib is in use, periodically check to make sure all bolts are tight, and tighten as necessary. For future use, keep these instructions in the plastic bag attached to the mattress support spring.

Conversion to Toddler Bed: Mattress should be in lowest position. Remove one **Side** by unscrewing the 4 **Decorative Bolts** holding it in place. Be sure to loosen all the other **Decorative Bolts** before attempting to remove the **Side**. Once removed, attach **Toddler Rail** (sold separately) using three of the Decorative Bolts and Lock Washers you just removed, and retighten all remaining Decorative Bolts.

This crib may not be used as a toddler bed without a toddler rail.

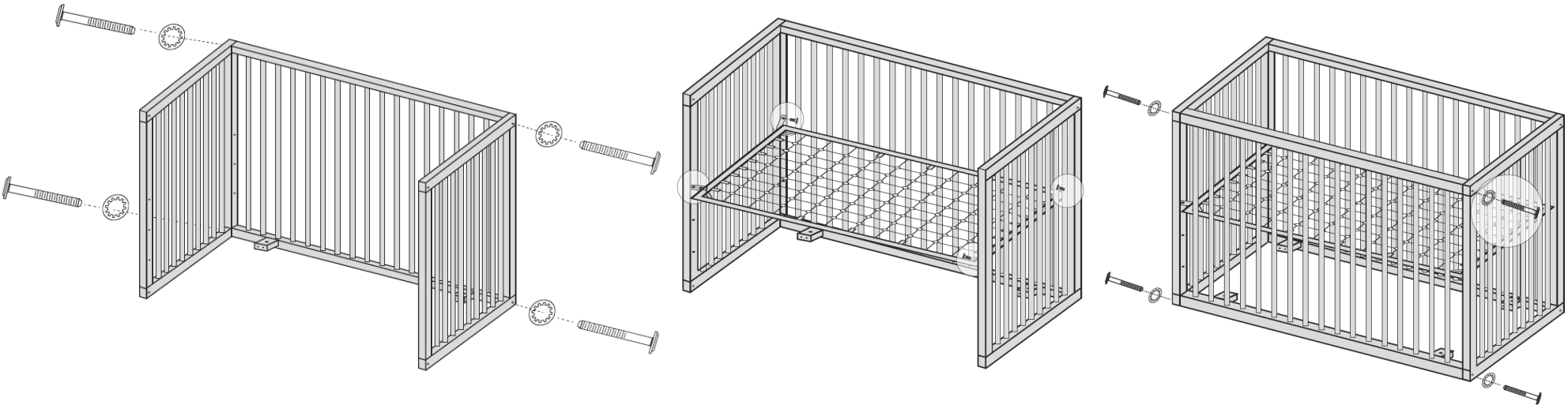
For Toddler Bed use, the minimum age shall be no less than 15 months and the maximum weight shall not be greater than 50 lb (22.7kg). The mattress used on the toddler bed shall be a full-size crib mattress at least 27 ¼ (131cm) by 51 5/8 in (69cm) with a thickness of no less than 4 in. (11cm) and not exceeding 6 in. (15cm).

Maintenance: Upon completion of assembly be sure all screws, bolts and fastening devices have been tightened securely. Periodically repeat this check to make sure all screws, bolts and fastening devices are tight. Before each usage or assembly, inspect crib for damaged hardware, loose joints, missing parts or sharp edges. DO NOT use crib if parts are missing or broken. DO NOT substitute parts. DO NOT make any alteration to this crib.

Cleaning: Mix together a mild solution of gentle dishwashing liquid and water, apply to crib surface using a soft clean cloth lightly dampened in the solution. Rinse with clean water again using a soft clean cloth, then dry all surfaces thoroughly with a soft dry cloth. NO ABRASIVE CLEANERS, SCOURING PADS, STEEL WOOL OR COARSE RAGS SHOULD BE USED TO CLEAN THIS FINE FURNITURE.

Storage: A plastic pouch is attached to the crib for the storage of the assembly directions for future referral. After completing the assembly process you are advised to read and beware of all WARNINGS, CAUTIONS, CLEANING, STORAGE, USE AND MAINTENANCE notices contained in these instructions. We caution you not to place excess hardware in the plastic pouch as it could present danger to a child if retrieved, and it could also puncture the crib mattress.

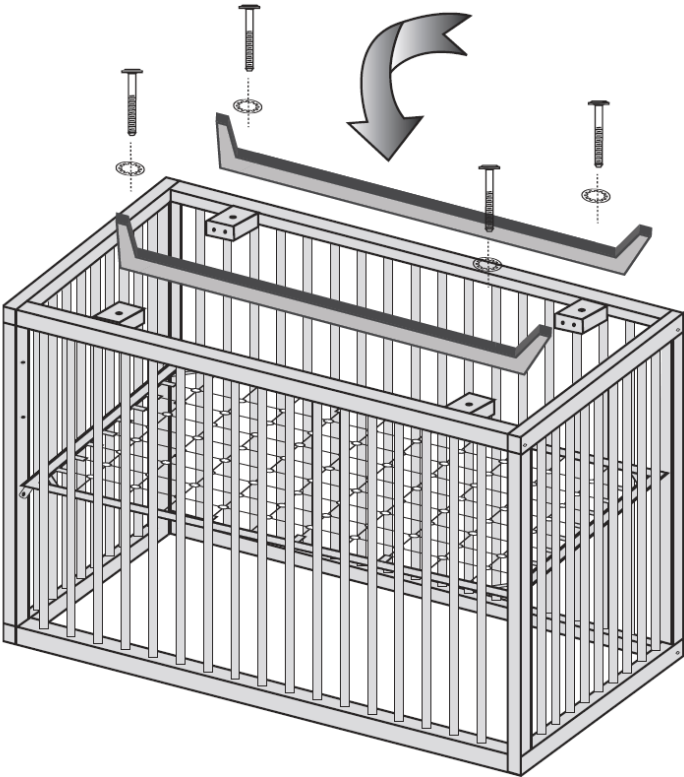
FLYNN CRIB ASSEMBLY INSTRUCTIONS



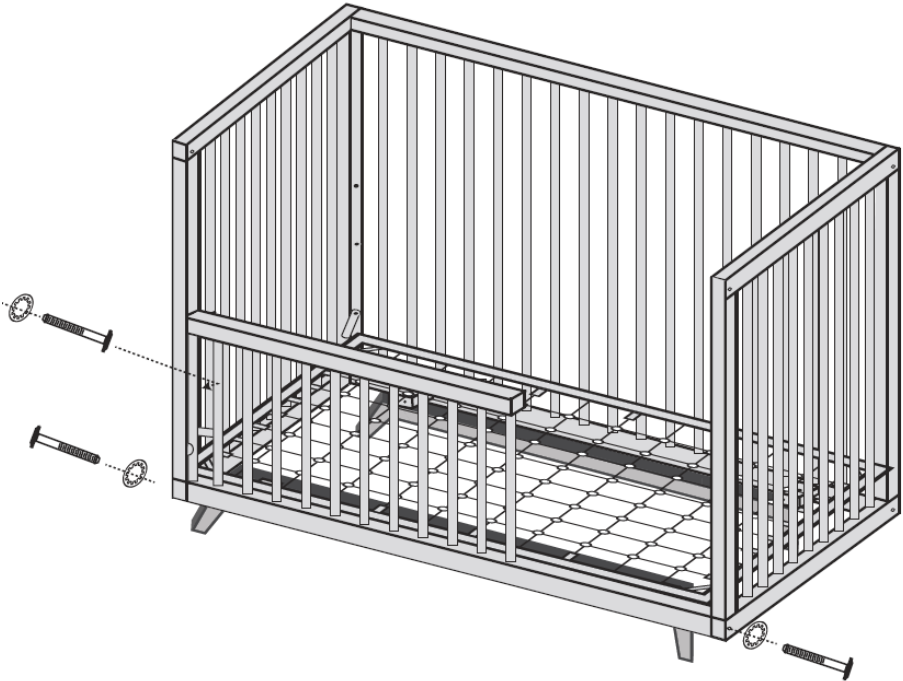
STEP 1 – Attach back to End Panels

STEP 2 – Attach Mattress Platform

STEP 3 – Attach front to End Panels



STEP 4 – Flip over to attach Feet



Toddler Rail (sold separately)
(Mattress support spring should be in lowest position;
it has been removed from this drawing for clarity.)