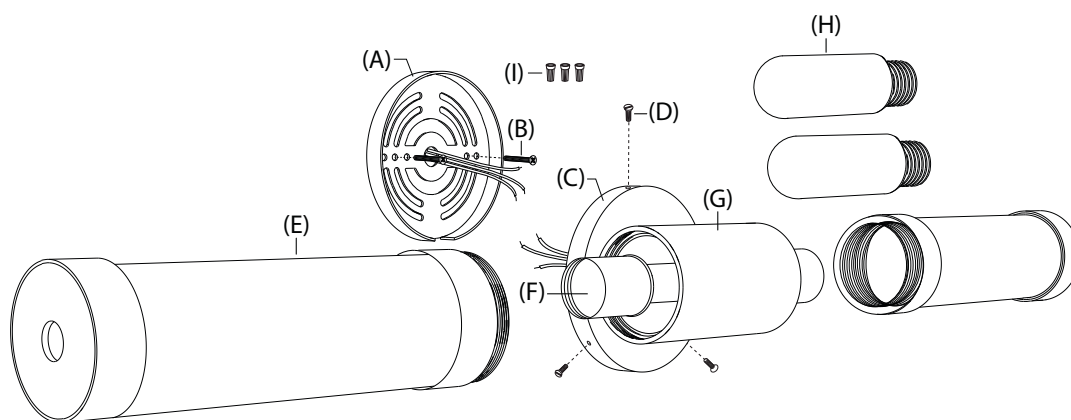


# assembly instructions: forum 24" wall sconce



## List of Parts

- (A) Mounting Plate
- (B) Mounting Screws
- (C) Backplate
- (D) Screws
- (E) Shade
- (F) Socket
- (G) Housing
- (H) Bulb
- (I) Wire Nuts

## Safety Instructions:

- \*These instructions are provided for your safety. It is very important that they are read completely before beginning the installation of your fixture.
- \*WE STRONGLY RECOMMEND INSTALLATION BY A LICENSED ELECTRICIAN.
- \*Turn off power at switch before replacing bulbs.
- \*This fixture is UL rated for damp locations.

## Assembly Instructions:

1. SHUT OFF MAIN ELECTRICAL SUPPLY FROM THE MAIN FUSE BOX/CIRCUIT BREAKER. IT IS RECOMMENDED THAT A LICENSED ELECTRICIAN INSTALL THIS FIXTURE.
2. Remove mounting plate (A) from backplate (C) by removing screws (D).
3. Affix mounting plate (A) to wall outlet box with mounting screws (B) provided.
4. Lift fixture to mounting plate and make proper electrical connections described in steps 5-7. A LICENSED ELECTRICIAN IS RECOMMENDED.
5. Connect ground (green or silver in color) wire from fixture to ground wire in the outlet box. Fasten wires together with wire nut (I) and tightly wrap the connection with electrical tape.
6. Attach hot wire from fixture (black in color or smooth side of wire) to hot wire from outlet box. Fasten wires together with wire nut (I) and tightly wrap connection with electrical tape.
7. Attach neutral wire from fixture (white in color or ribbed side of wire) to neutral wire from outlet box. Fasten wires together with wire nut (I) and tightly wrap connection with electrical tape.
8. Carefully push wire connections back into wall outlet box. Slide backplate (C) over mounting plate (A).
9. Thread screws (D) into holes at the top and sides of backplate (C) to secure the fixture to the mounting surface.
10. Insert two 40W MAX. Type T10, medium base bulbs (H) (included) into sockets (F).
11. Thread shades (E) into housing (G) until hand tight (note: do not overtighten as this could cause damage to shades).

\*\* To clean, wipe with a soft cloth. Don't use chemical or abrasive cleaners. \*\*