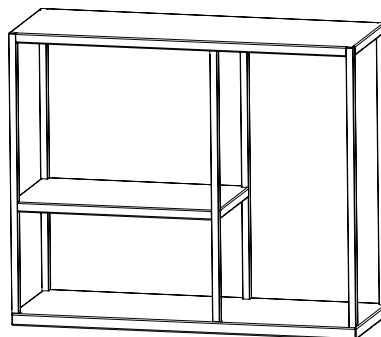
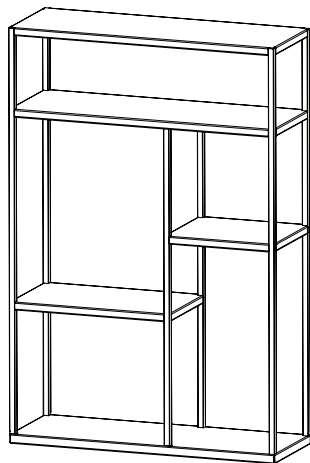


Keep these instructions for future use

FOSHAY WALL SHELF



RECOMMENDED TOOLS AND MATERIALS:

Pencil
Stud finder

#2 Phillips screwdriver
Power drill

Tape measure
Level

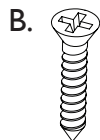
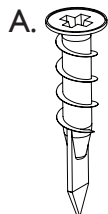


CAUTION:

- Professional installation is strongly recommended
- Installation requires the help of a second person

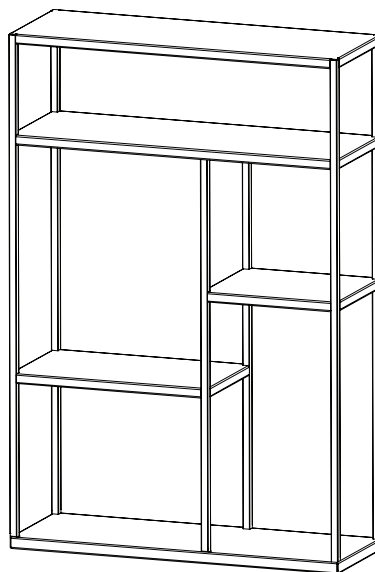
THIS PRODUCT INCLUDES:

- A. - Drywall anchors
- B. - Mounting screws
- C. - Foshay wall shelf



(hardware not to scale)

C.



(actual configuration may vary)

1

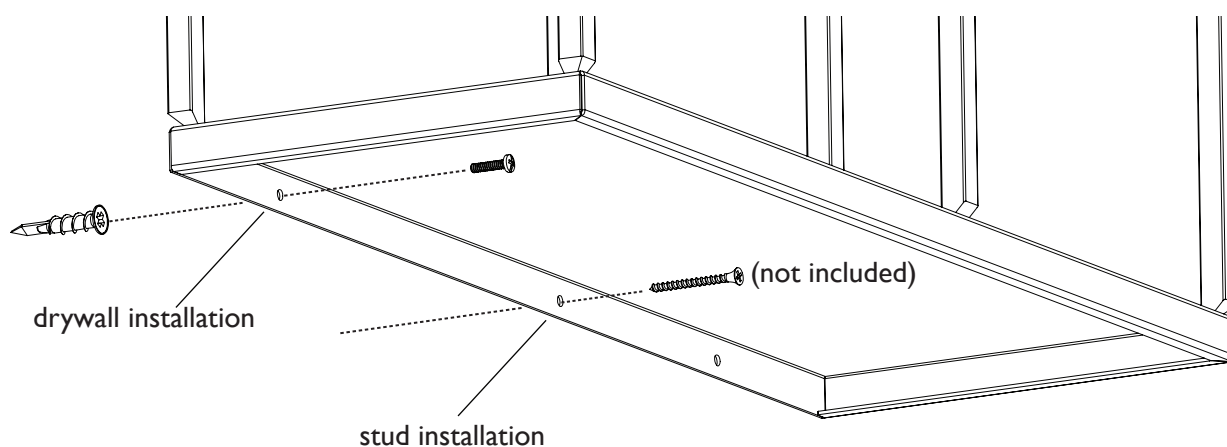
Choose your installation location.

2

With the assistance of a second person, hold the wall shelf in its intended location. Use a level to ensure proper placement. Mark the location of each of the mounting holes on the wall with a pencil. Remove the shelf from the wall before continuing.

3

Use a screwdriver to drive the included wall anchors into the wall, ensuring the anchors are flush with the wall after installation.



4

With the assistance of a second person, return the wall shelf to its intended location and align all mounting holes with the corresponding wall anchors and/or pencil marks. Use the included mounting screws to fasten the wall shelf to the wall anchors.

SPECIAL CONSIDERATIONS:

Alternative hardware may be required when mounting to a surface other than drywall. Consult a professional if you have any questions regarding proper installation. All mounting holes must be used for safe installation.