

HARLAN MEDICINE CABINET

CAUTION: This cabinet must be installed on at least one wood stud. Improper installation can result in serious injury.

Recommended Tools/Materials

- Tape measure or ruler (at least 3 feet)
- Level
- Power drill
- Phillips drive bit
- 3/16" drill bit
- Pencil
- Stud finder

This Product Includes

- Harlan cabinet
- Attached wall cleat
- Detached wall cleat
- Mounting screws for bracket
(2 for anchor holes inside cabinet)
- Shelf pins (16)
- 4 glass shelves

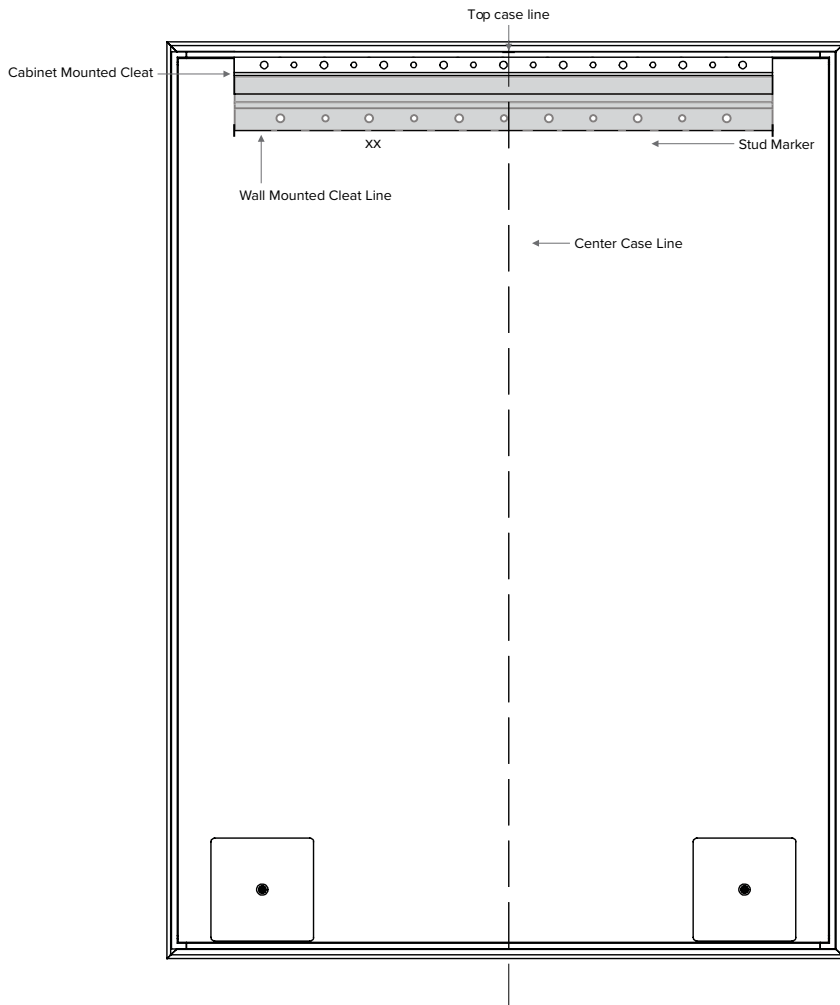
BEFORE YOU BEGIN: Due to the handcrafted nature of Harlan, there may be slight variances between each piece and its bracket placement, which is why it is very important to take precise measurements for each piece you install.

Installation Instructions: Hanging Medicine Cabinets

1. Keeping in mind that this cabinet must align with at least one stud, hold the detached wall cleat against the wall to find the ideal placement. Draw a vertical line in the center of the two outermost large holes (see diagram). This is the center case line.

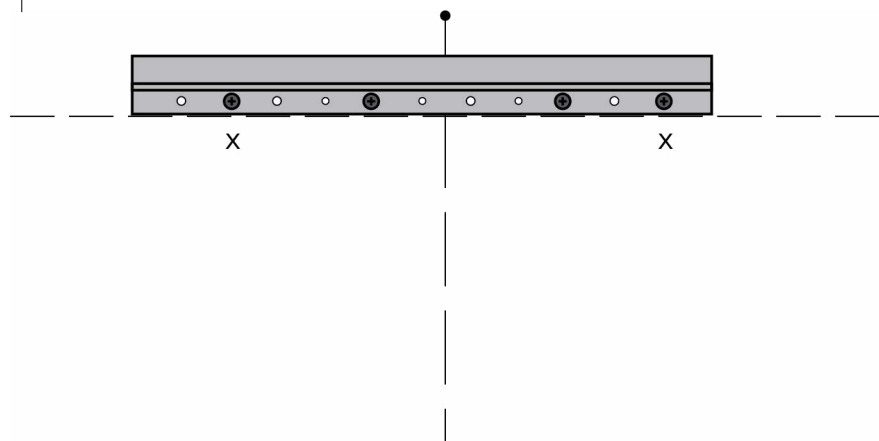
Mark a level horizontal line on the center case line where the top of the case will be. This is the top case line. Make sure to leave your desired amount of space under the case.

2. Measure 2.125" (2 and 1/8 inches) down from the top case line and draw a horizontal line, ensuring it is level. This is the wall mounted cleat line.



For the cabinets, mark 9" on either side of the center case line.

Use a stud finder to locate and mark studs along the bracket.



Installation Instructions: Mounting the Wall Cleat

1. Align the cleat on the wall mounted cleat line, ensuring it is level.
2. Mark the center of the holes and align with at least one stud.
3. Where you marked the center of the holes, drill pilot holes using a 3/16" drill bit. Then, screw the cleat into the wall using the included screws.

NOTE: The included screws are designed for drywall or studs, but if you overtighten them as they go into drywall, they can easily strip. We recommend using a screwdriver for screws that are only going into drywall, as this helps avoid overtightening.

Installation Instructions: Hanging a Single Cabinet

1. Hang the cabinet on the cleat and ensure it is fully seated.
2. Check for level.
3. Use a drill and two additional screws through the back panel to prevent case from lifting off the cleats. Be careful not to overtighten the screws if only going into drywall, as they will strip very easily. Using a screwdriver helps with this.

