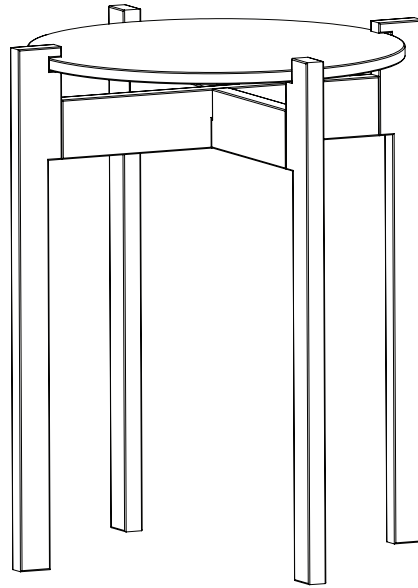


KAVALA SIDE TABLE



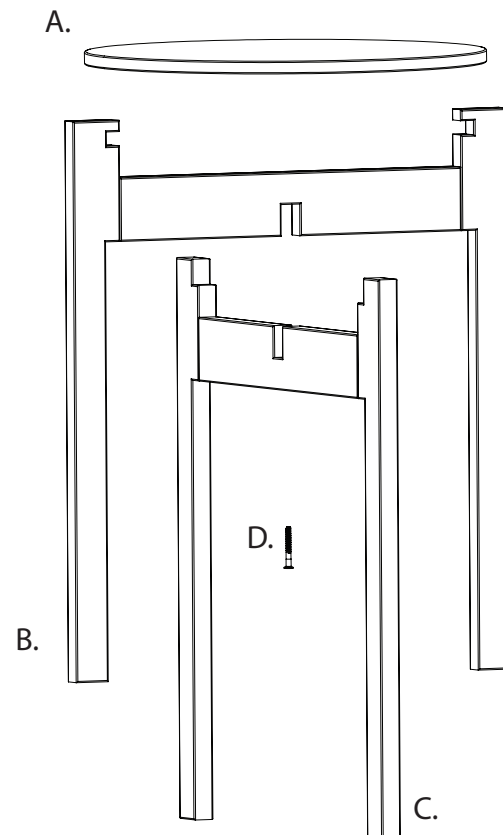
(actual size may vary)

THIS PRODUCT INCLUDES:

- A. Top
- B. Leg 1
- C. Leg 2
- D. Bolt

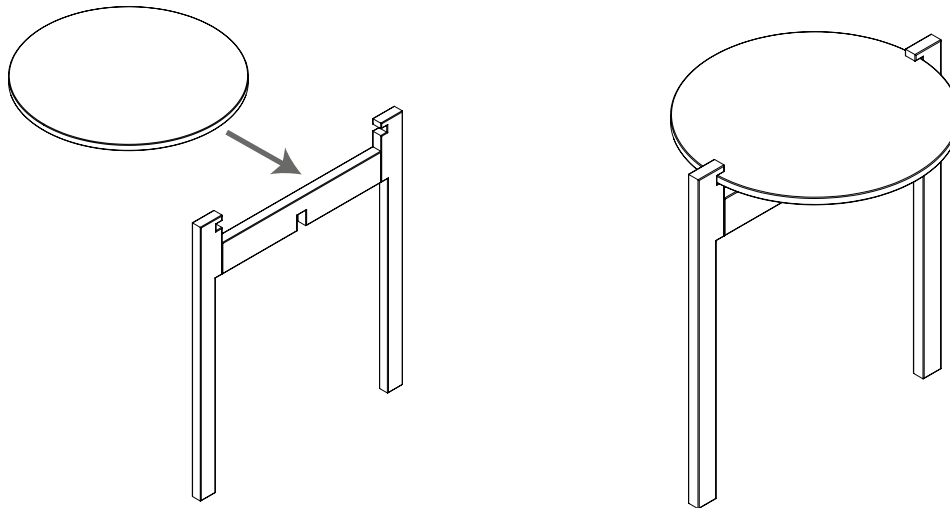
RECOMMENDED TOOLS AND MATERIALS:

#2 Phillips screwdriver



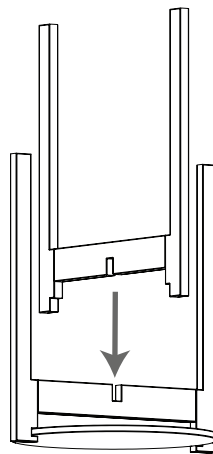
1

Slide the top into the cut-outs of leg 1.



2

Place leg 2 into the bottom cut-out of leg 1 and center the top.



3

Insert the bolt and tighten it with a Phillips head screwdriver.

