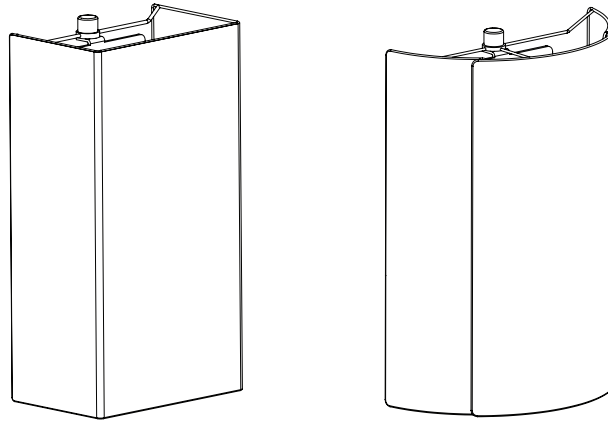


### KENNA/MEARA WALL SCONCE



## CAUTION:

- It is strongly recommended that hardwire installation of this product is done by a professional.

-READ these safety instructions entirely prior to installation.

-DO NOT BEGIN INSTALLATION UNTIL ALL ELECTRICAL POWER TO THE INSTALLATION SITE HAS BEEN TURNED OFF AT THE CIRCUIT BREAKER!

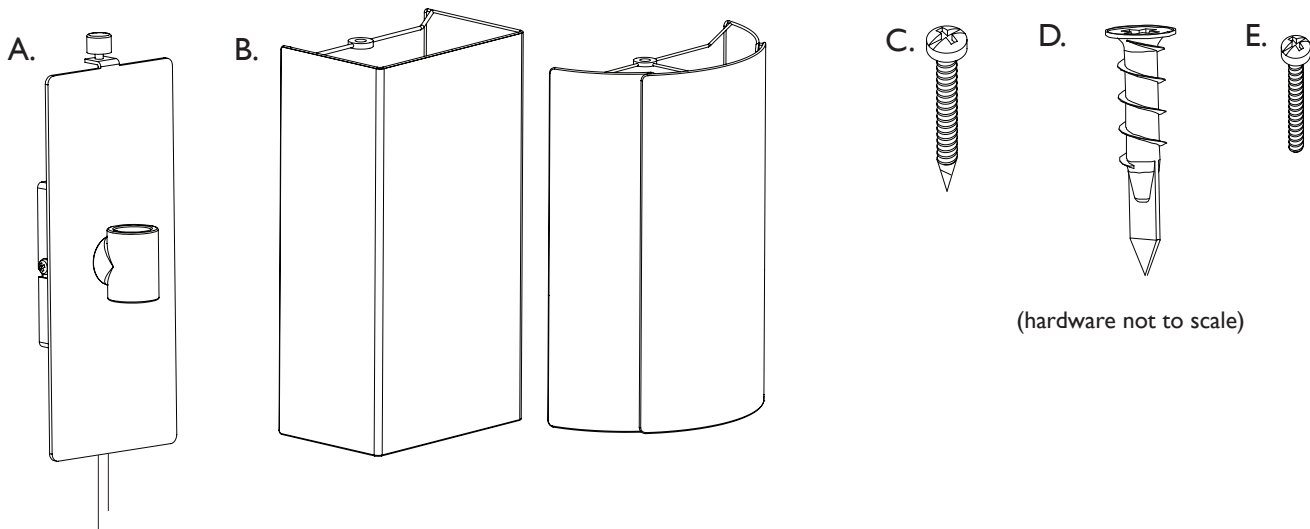
#### RECOMMENDED TOOLS AND MATERIALS:

Power Drill  
1/16" Drill Bit  
Pliers

Phillips screwdriver  
Small blade screwdriver  
Level

Pencil  
Electrical tape  
Wire Nuts

#### THIS PRODUCT INCLUDES:



(hardware not to scale)

- A. - Reflector Plate Assembly
- B. - Kenna OR Meara Sconce Shade
- C. - Mounting Screws (X2)

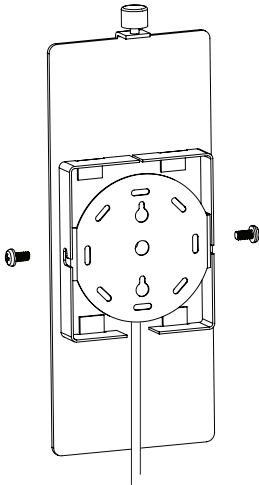
- D. - Drywall Anchors (X2)
- E. - Machine Screws (X2)

## Option A: Mounting to a wall near an outlet

If you intend to hardwire this sconce to an existing junction box, proceed to option B. (hardwire mounting)

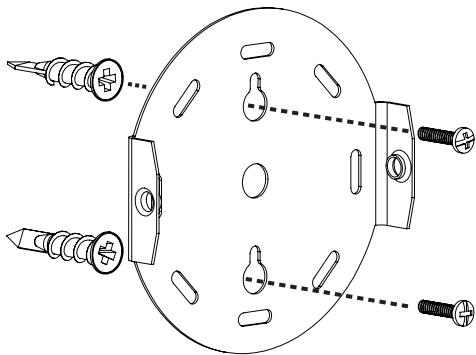
1

Detach the mounting plate from the back of the reflector plate assembly by removing the two side screws and sliding the components apart along the screw slot.



2

Choose where to mount your sconce, ensuring the power cord will reach the outlet you intend to use. Hold the wall mounting plate against the wall and use a level to ensure the plate is vertically aligned. Mark the location of the two screw holes with a pencil.

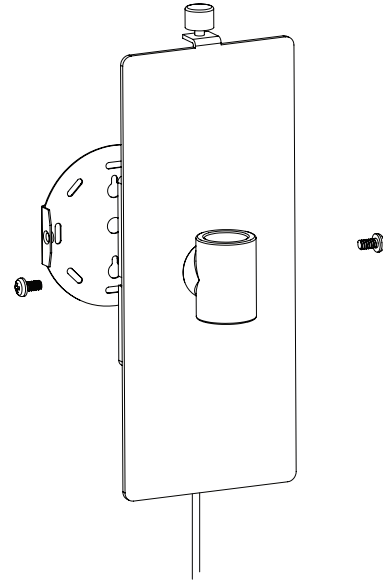


3

Remove the wall mounting plate from its intended location. If you are mounting to drywall, use a power drill with a 1/16" drill bit to create pilot holes at the two screw marks. Screw the wall anchors into the holes until they are flush with the surface of the wall. Align the wall mounting plate to the anchors and attach the mounting screws through the plate and into the anchors. If you are mounting to a surface other than drywall, alternative hardware (not provided) may be required.

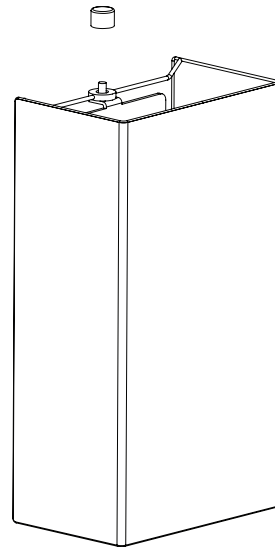
4

Reattach the sconce assembly to the mounting plate with the two side screws you previously removed.



5

Attach the sconce shade by removing the finial, sliding the sconce washer over the threaded rod, then replacing the finial to hold the shade in place.



### SPECIAL CONSIDERATIONS:

This wall sconce has a dimming dial on the cord, however, not all light bulbs are dimmable or will dim in the same manner. Consider this when purchasing replacement bulbs.

## Option B: Hardwire Mounting

Use this option if you intend to mount this sconce to an existing junction box.

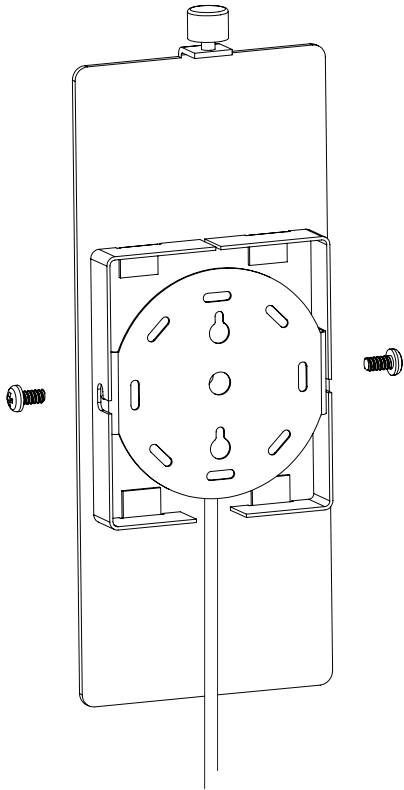


### CAUTION:

DO NOT BEGIN INSTALLATION UNTIL ALL ELECTRICAL POWER TO THE INSTALLATION SITE HAS BEEN TURNED OFF AT THE CIRCUIT BREAKER!

1

Detach the mounting plate from the back of the reflector plate assembly by removing the two side screws.

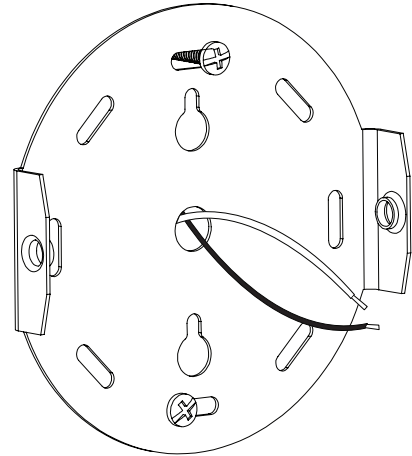


2

Remove the plastic wire nuts on the back of the sconce. This disconnects the included power cord from the fixture, which you will not need when hardwiring this sconce. Pull out the power cord from the bottom of the sconce.

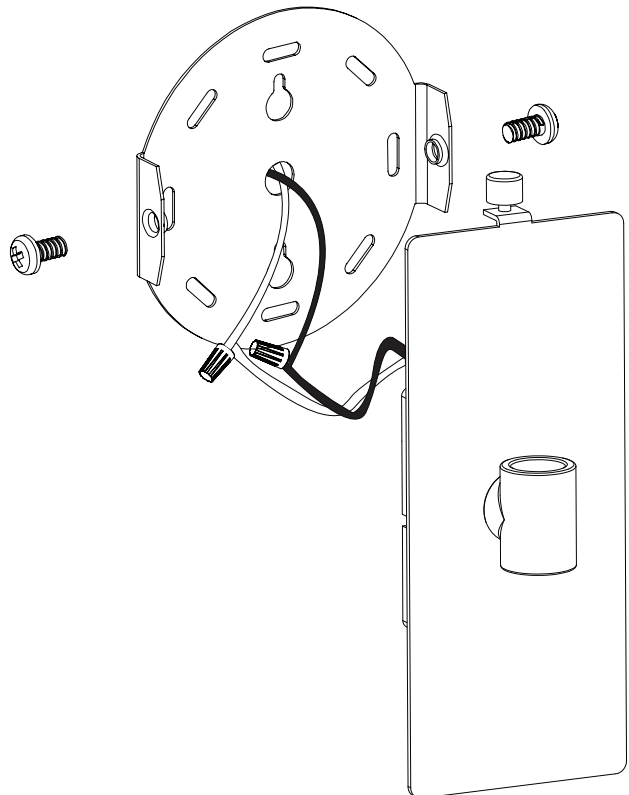
3

Feed the wires from the existing junction box through the center of the mounting plate. Then use the provided machine screws to attach the mounting plate to your existing junction box. Use a level to ensure the mounting plate is vertically aligned.



4

Use wire nuts to twist together the junction box wires and their corresponding wires on the sconce.



## Option B: Continued

Hard wire mounting

5

Reattach the sconce assembly to the mounting plate with the two side screws you previously removed.

6

Attach the sconce shade by removing the finial, sliding the sconce washer over the threaded rod, then replacing the finial to hold the shade in place.

### SPECIAL CONSIDERATIONS:

If you remove the sconce's power cord and hard mount the sconce to an existing electrical box, consider saving the unused cord for future use.

Not all light bulbs are dimmable or will dim in the same manner. Consider this when purchasing replacement bulbs.