

LOXLEY BED

Recommended Tools/Materials

- Phillips screwdriver or drill
- Socket set (1/2" socket)
or 1/2" ratcheting hex wrench

This Product Includes

- Headboard with four 1" hex head bolts (two on each side)
- Footboard with four 1" hex head bolts (two on each side)
- Two side rails with eight 1" hex head bolts (four on each rail)
- Four L-brackets (two attached to each side rail)
- Black spacer bar (fits at foot of bed)
- One support slat bar
- Two slat support legs
- Platform slats

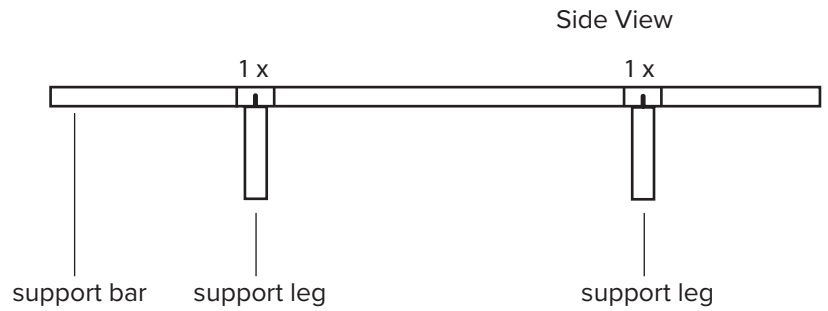
Installation Instructions

Note: We recommend assembling this item with a friend.

- 1** Stand the headboard upright. Halfway unscrew the four hex head bolts on the headboard (two on each side) to give enough room to slide on the L-bracket of one side rail.
- 2** Slide one side rail up onto the headboard so the L-bracket connects to the two hex head bolts. Tighten the two hex head bolts onto the L-bracket.
- 3** Repeat step 2 on the other side of the bed so two side rails are attached to the headboard.
- 4** Keeping the headboard and side rail assembly upright, attach the footboard to the side rails in the same way you attached the headboard.
NOTE: Do not fully tighten the hex head bolts to the footboard until after the platform slats are assembled.

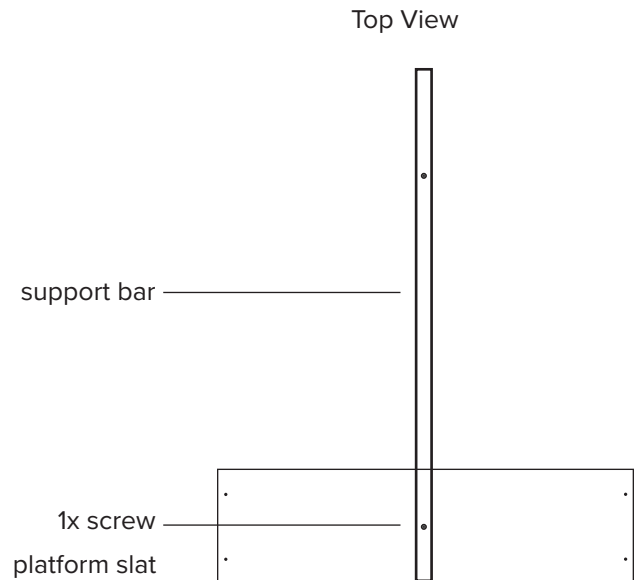
5

Use two screws to screw the two slat support legs to the slat support bar.



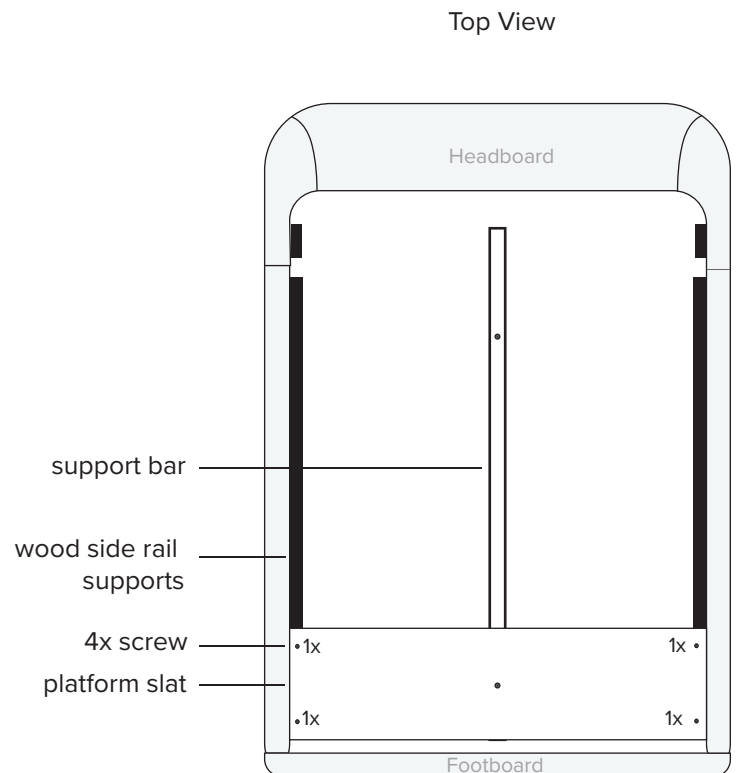
6

Place one of the platform slats onto the end of the support bar. The edge should be flush with the end of the support bar. Screw one screw into the middle of the platform slat to secure it to the support bar.



7

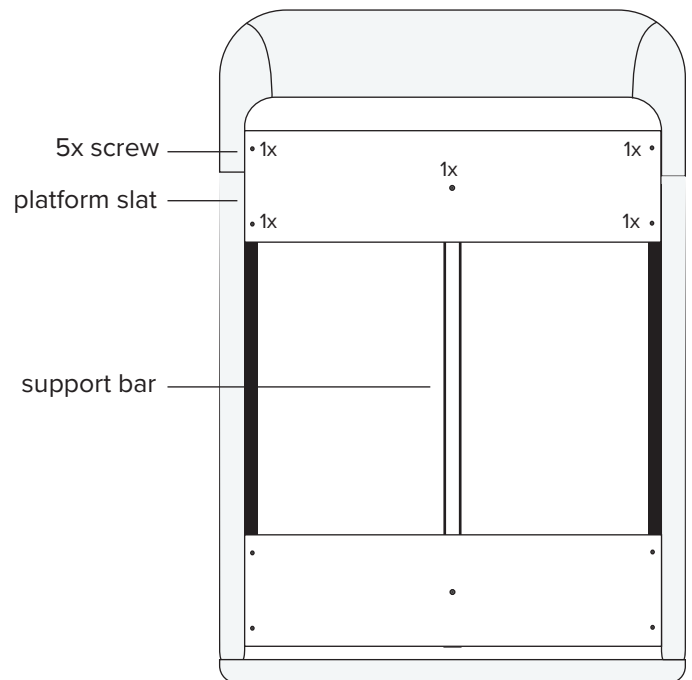
Place the support bar and platform slat assembly into the bed, with the platform closer to the footboard. Screw four screws through the platform slat into the wood side rail supports, securing it to the bed.



8

Lay the second platform slat onto the slat support bar, closer to the headboard, and use 5 screws to secure it to the support bar and wood side rail support bars.

Top View



9

Repeat step 8 to attach the other platform slats to the bed, then place your mattress onto the bed.

Top View

