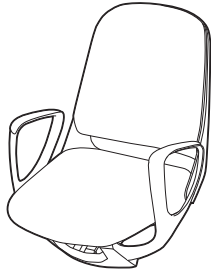


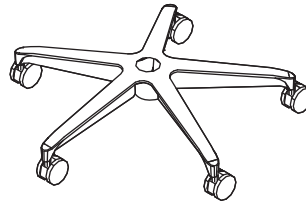
- This is an assembly manual for the Luce chair.
- Please read this document before assembling the chair.

Parts

Main body



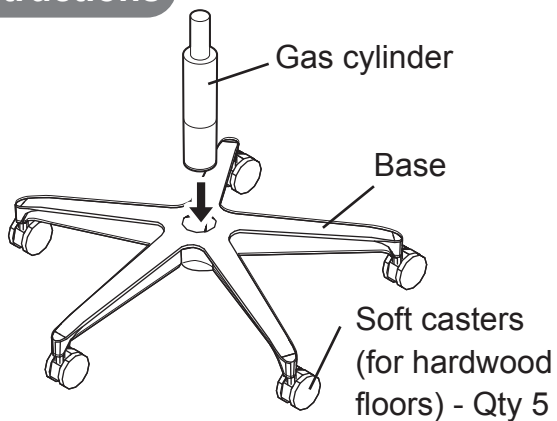
Base



Gas cylinder



Instructions



STEP 1

1. Place the base on a flat surface.
2. Insert gas cylinder into the base as shown. Ensure that the gas cylinder is placed straight down into the base.

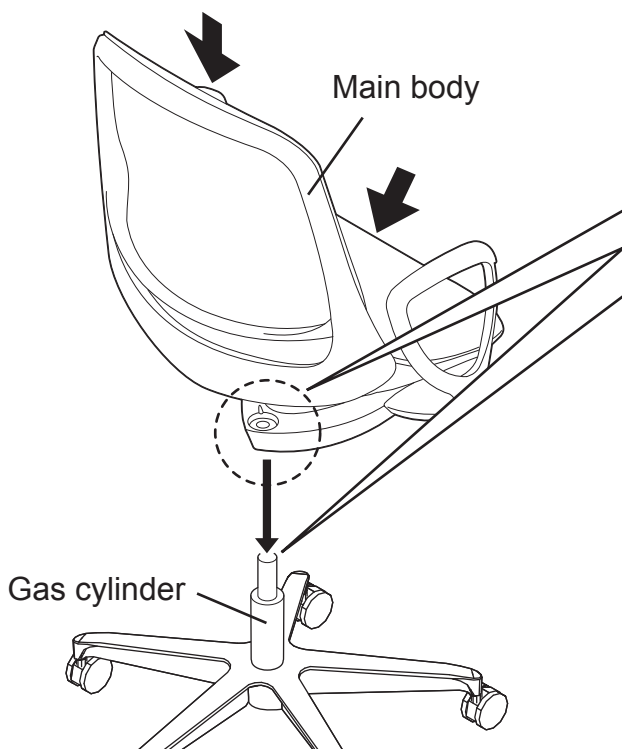
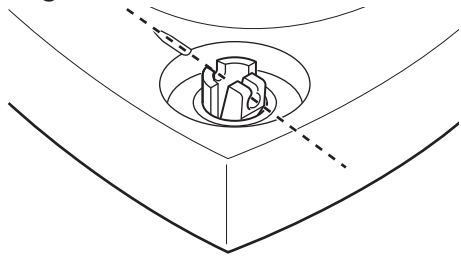
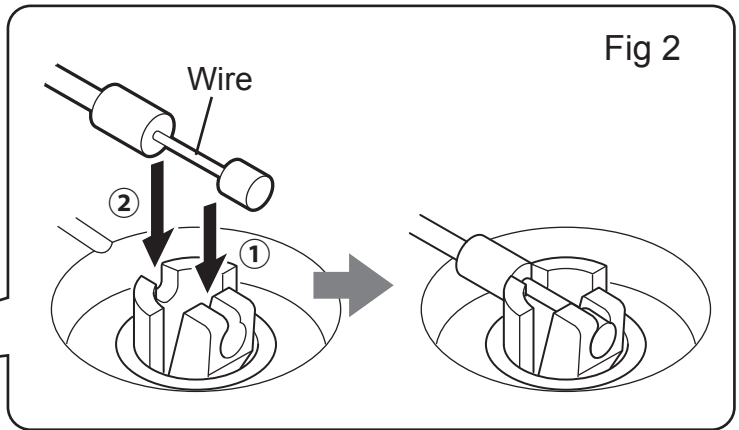
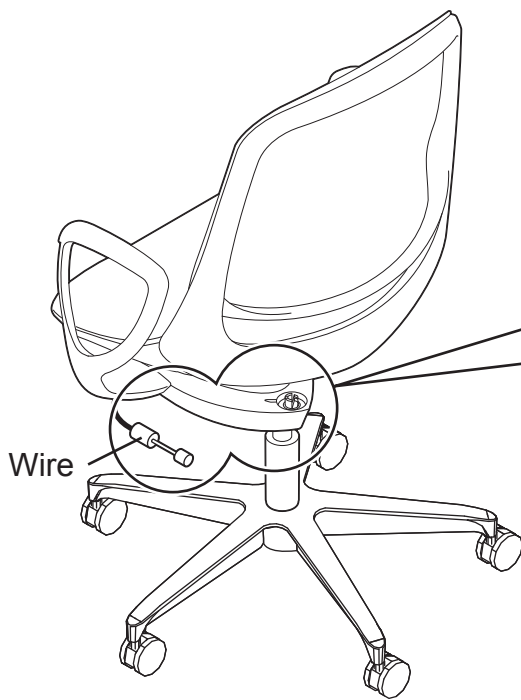


Fig 1



STEP 2

1. Attach the main body to the gas cylinder. Be sure that the groove on the main body comes in line with the groove of the gas cylinder (Fig 1). Do not hold the arms of the main body. Hold the parts indicated by the arrows in the figure.



STEP 3

1. Attach the wire from underneath the seat to the gas cylinder (Fig 2). Hook the wire end ① first and then push the wire ② into the groove.

Notes

- The main body is heavy. Please use extra caution when attaching it to the gas cylinder.
- Do not hold the arms of the main body. Hold the parts indicated by the arrows in the figure in STEP 2 when you attach the main body to the gas cylinder.
- To purchase additional casters or hard casters (for carpeted floors), or for any service related questions, please contact a Room & Board Design Associate at 800-301-9720.

Room&Board®

Room and Board Shop From Home Design associates at 800-301-9720.