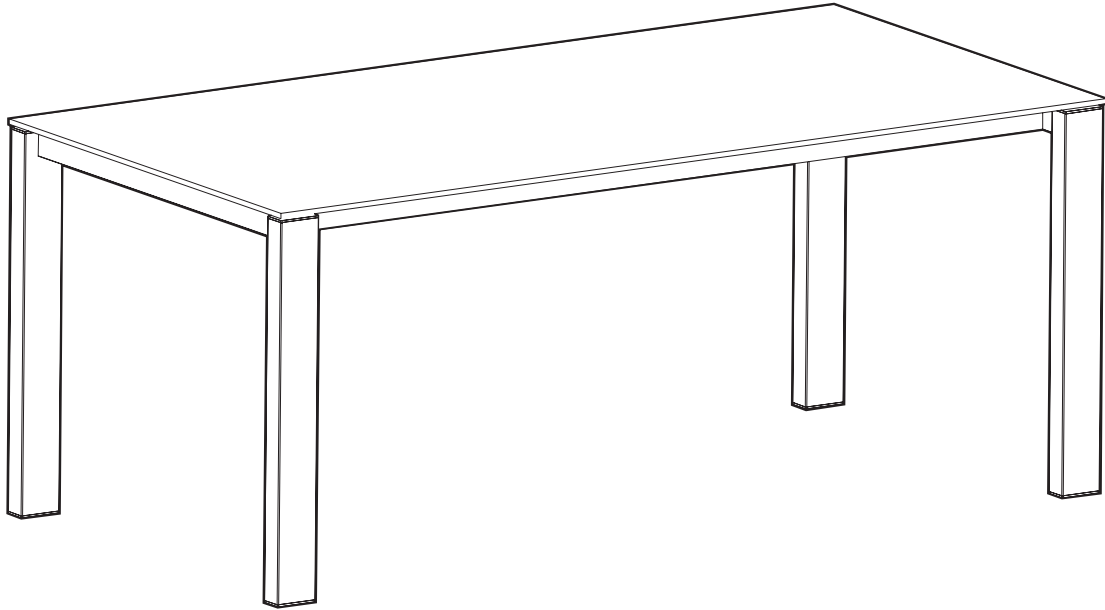


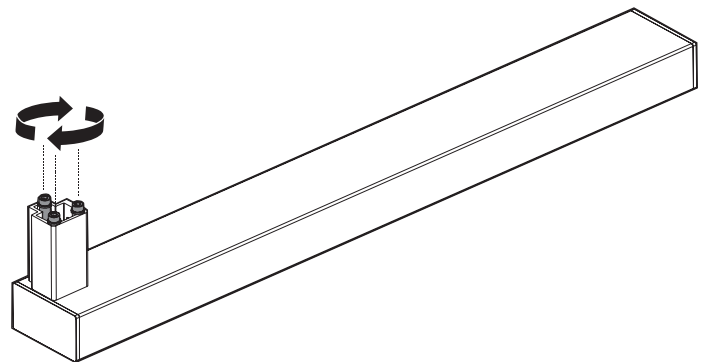
METRIC TABLE



Installation Instructions

- 1 Remove the table top frame from the packaging and place it upside down on a smooth, flat surface. Remove each of the 4 legs from their packaging and locate the 3 Allen bolts that fasten the connection point extrusion to each leg.

BEFORE BEGINNING ASSEMBLY: use the included Allen wrench to make sure all 3 bolts on each leg are fully tightened, taking care to ensure the extrusion remains perfectly parallel with the horizontal and vertical surface of the leg.

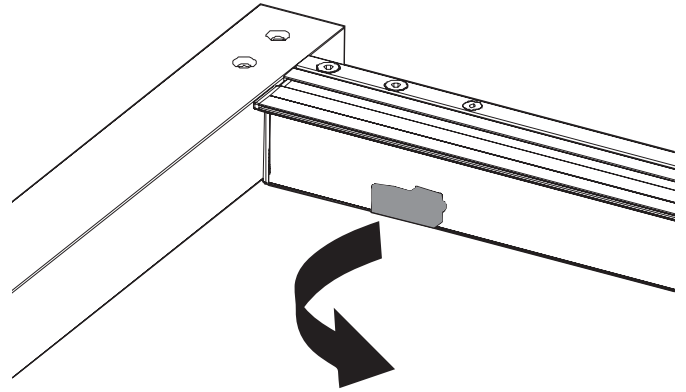


Note: Some bolts may already be fully tightened.

2

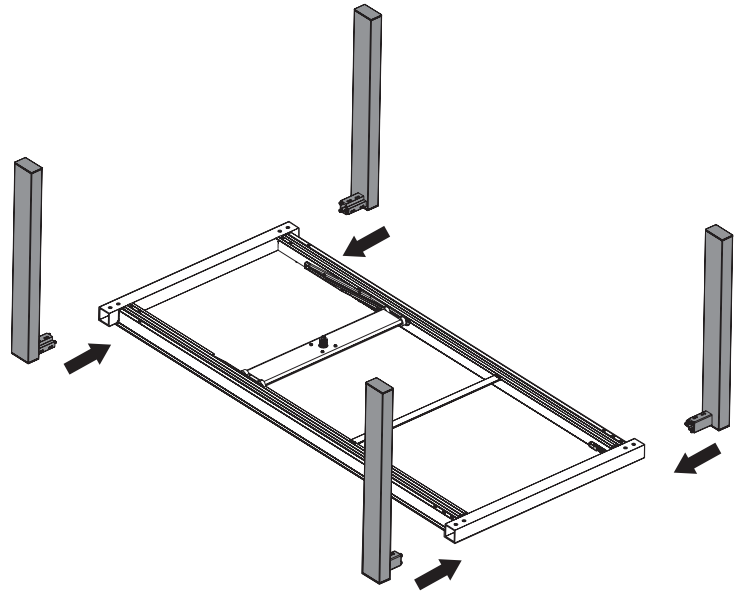
Before beginning assembly, the table top frame must be partially extended to expose the internal connection points. To extend the table top frame, locate the two locking tabs and flip them open. Do not extend the table before opening the tabs.

Once the tabs have been opened, extend the table top frame by pulling the short sides away from one another. You do not need to fully extend the table. Re-engage the locking tabs before continuing.



3

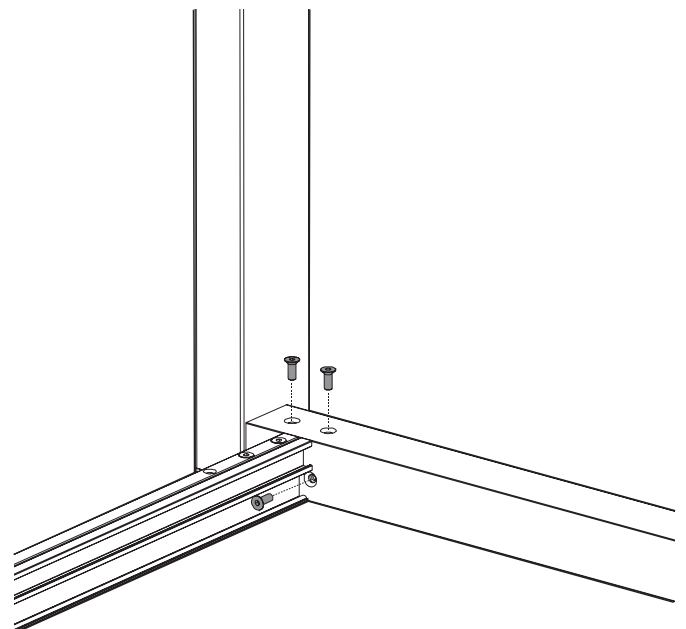
Insert each leg's connection point extrusion into their corresponding openings on the table top frame.



4

Attach all 4 legs to the frame, using 3 included 6x16mm Allen head screws for each leg (12 total). Fully tighten all 3 screws on all 4 legs before proceeding to the next step.

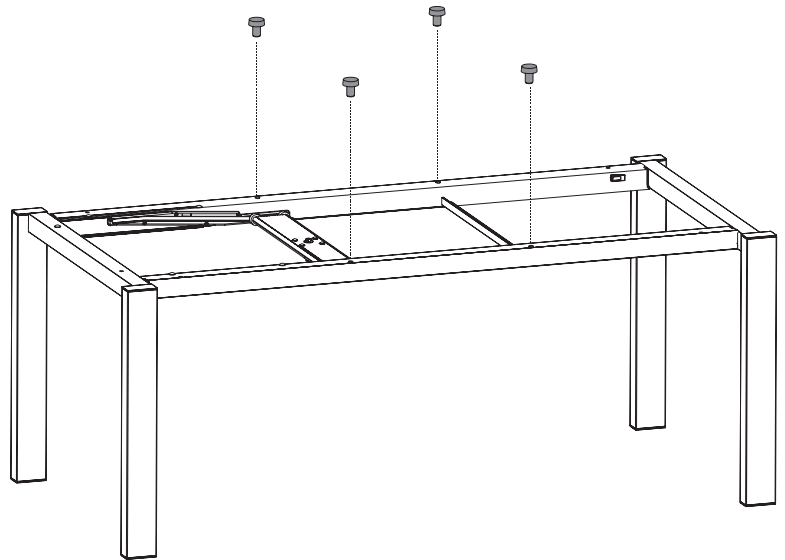
Note: For best results, avoid using a bulky Allen wrench that might interfere with the table top frame components, and instead use the included Allen wrench.



5

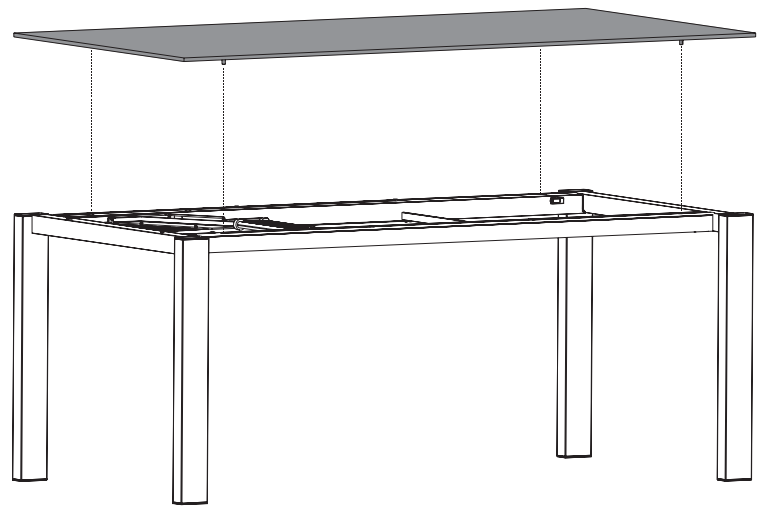
After the legs are secured to the top frame, slowly lift and turn the frame right side up with the help of a friend.

Then, insert the four included rubber bumpers into the 4 holes (see illustration) on the top of the table frame.



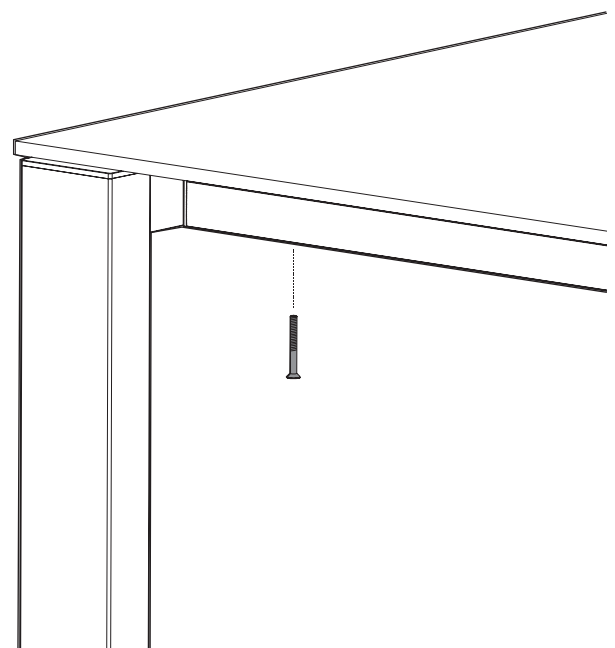
6

With the help of a friend, gently place the ceramic top on the base assembly, aligning the top's 4 pegs with the corresponding holes.



7

Secure the top to the base using the included Allen wrench to fully tighten the 4 included 5x40mm Allen screws.

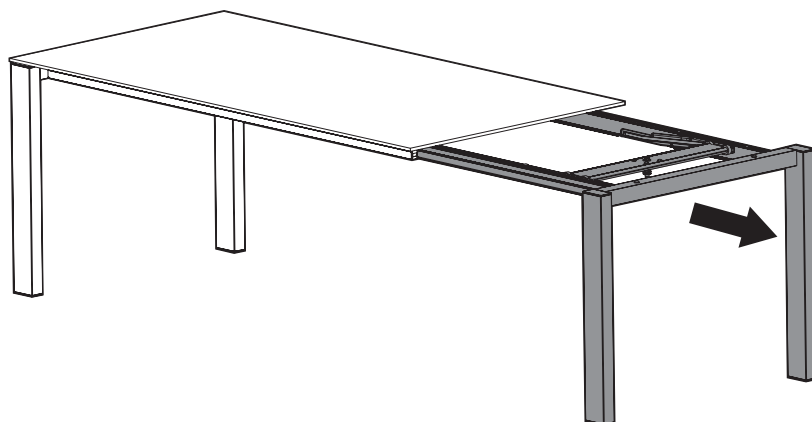


8

Before continuing, flip open the locking tabs located on the underside of the table. Then, pull the 2 short ends of the table away from each other to fully extend it.

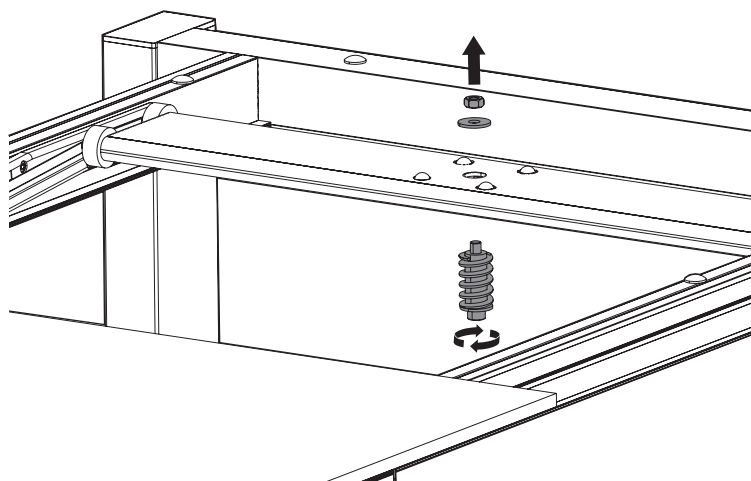
Once fully extended, re-engage the locking tabs on the underside of the table.

Note: Depending on the floor surface, you may need a friend to keep one end of the table stationary.



9

First, slide the leaf crossbar up the track towards the end of the table. Then, remove the nut and washer from the crossbar and discard them, as they are not used in the assembly. Keep the spring and bolt.

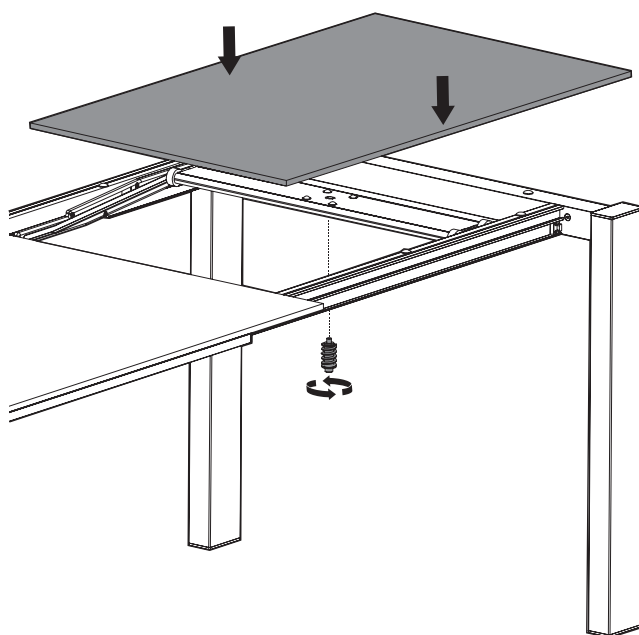


10

Place the leaf on top of the crossbar, ensuring that the 4 ball bearings on the crossbar align with the 4 dimples on the underside of the leaf.

Use the previously removed bolt and spring to secure the leaf to the crossbar, using the included Allen wrench to fully tighten it.

Note: During assembly, the leaf can be placed in any orientation.



ATTENTION

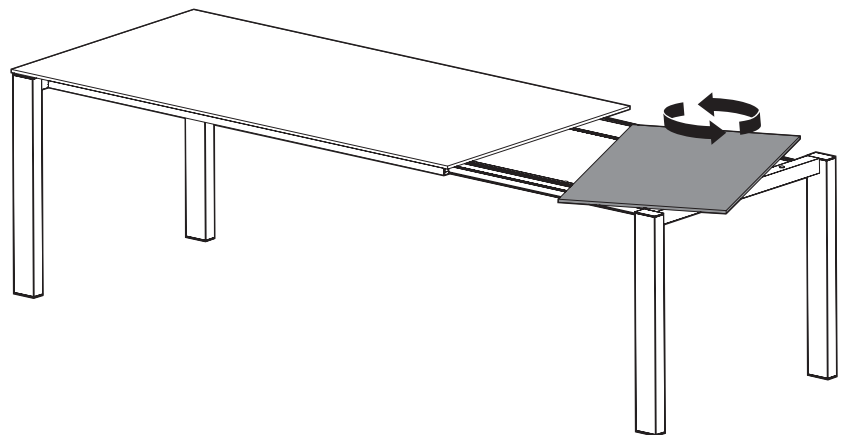
The table **must** be fully extended, AND the leaf crossbar **must** be in its highest, most extended position prior to rotating the leaf. Failure to do so may result in permanent damage.

11

Slowly rotate the extension leaf in either direction so the ceramic grain pattern is continued from the main top to the leaf, and so that the rubber bumper on the leaf faces the main top.

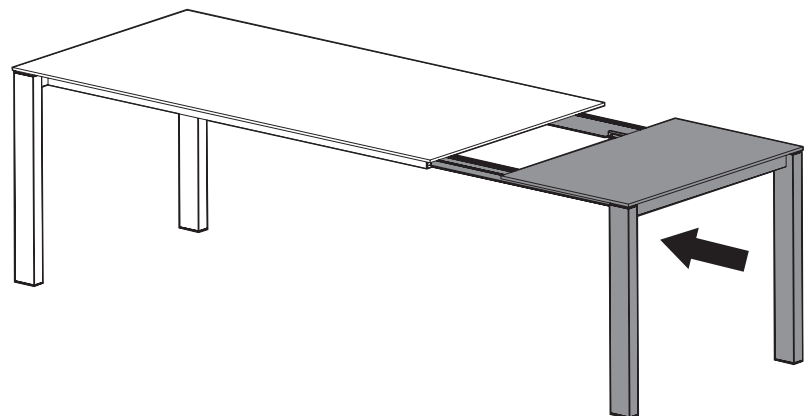
Continue rotating until the extension leaf ball bearings click into place.

Note: The leaf's rubber bumper must be facing the main top to ensure the two do not make contact and damage each other.



12

After the leaf is rotated into position, unlock the two locking tabs underneath the table **before** slowly pushing the table back together. Re-engage the locking tabs once the table is in its final position.



Note: To return the table to its smaller form, unlock the locking tabs, fully extend the table frame and rotate the extension leaf 90 degrees. Then, slide the extension leaf and crossbar down the track until they are in the lowest position, push the ends of the table back to together and re-engage the locking tabs.