

MULLEN SHELF

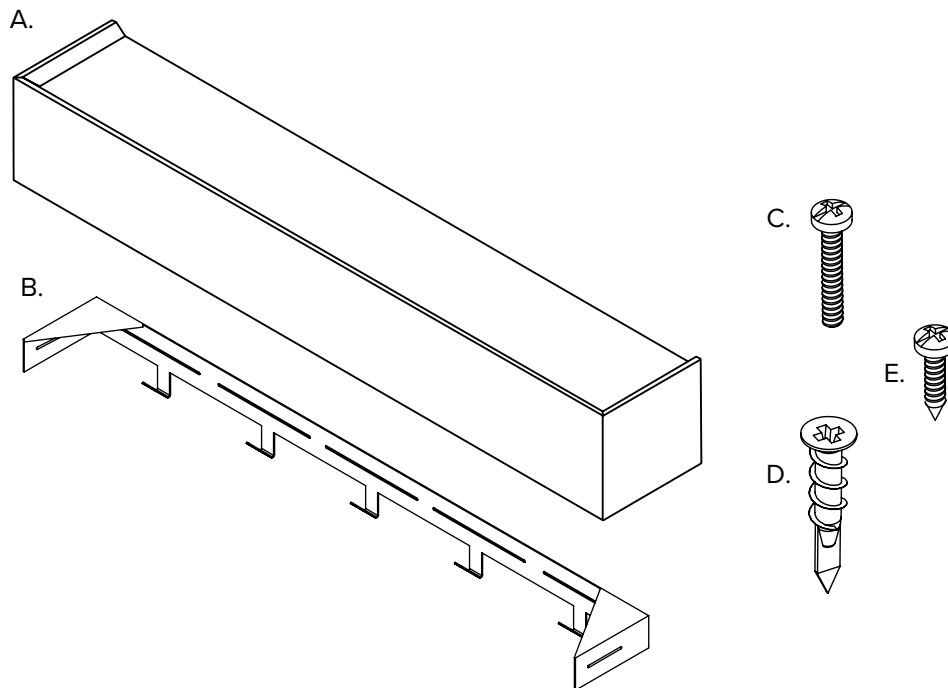
CAUTION: This cabinet must be installed on at least one wood stud. Improper installation can result in serious injury.

Recommended Tools/Materials

- #2 Phillips screwdriver
- Power drill with level (optional)
- Level

This Product Includes

- A. Mullen shelf
- B. Mullen hook bracket
- C. Anchor screws
- D. Wall anchors
- E. Wood screws

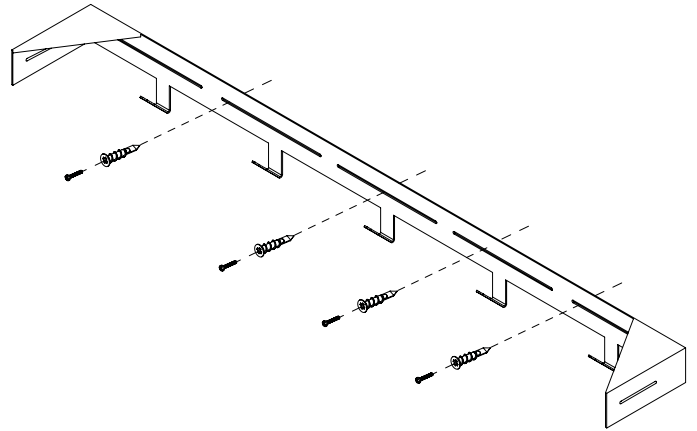


Installation Instructions: Bracket

1. Hold the shelf against your wall in its desired location. Mark the hole locations on the wall, then drill pilot holes.
2. Install drywall wall anchors using a #2 Phillips screwdriver.
3. Position the fixture over the anchors and insert screws. Tighten with a #2 Phillips screwdriver.

Note: Screws will self-thread into anchors—do not overtighten.

4. Secure and tighten the bracket in place.



Installation Instructions: Shelf

5. Place the Mullen shelf onto the hook bracket.
6. Align the shelf's pilot holes with the bracket slots.
7. Insert wood screws using a #2 Phillips screwdriver.
8. Start screwing in one side loosely, then install the other. Evenly tighten screws until secure.

