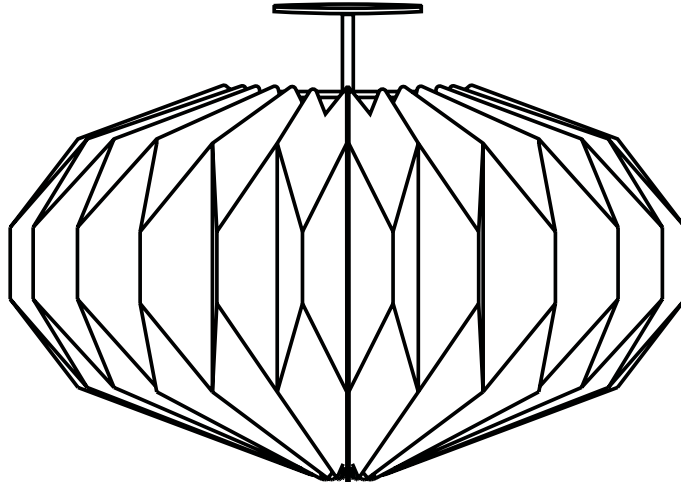


ORIKATA SEMI-FLUSH MOUNT PENDANT



CAUTION

- It is strongly recommended that the hardwire installation of this product is done by a professional.
- Read these safety instructions entirely prior to installation.
- DO NOT BEGIN INSTALLATION UNTIL ALL ELECTRICAL POWER TO THE INSTALLATION SITE HAS BEEN TURNED OFF AT THE CIRCUIT BREAKER!

Recommended Tools and Materials

- Electrical tape
- Wire cutters
- Wire strippers
- Tape measure
- Phillips screwdriver

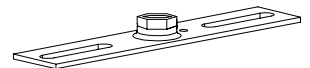
This Product Includes

- A. Canopy
- B. Crossbar assembly with nut (for junction box)
- C. Collar
- D. Orikata shade and socket
- E. Mounting screws (for junction box)
- F. Wire nuts
- G. Allen wrench

A.



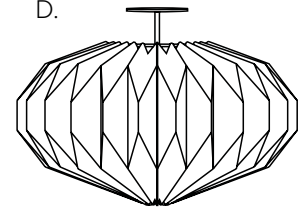
B.



C.



D.



E.



F.



Installation Instructions:

1. Thread the socket stem through the components in this order: collar, canopy, crossbar assembly. Then, secure with the nut to hold the crossbar in place.
2. Connect the wiring: black to black and white to white, using the provided wire connectors.
3. Carefully tuck all wires into the junction box.
4. Attach the crossbar assembly to the junction box using the mounting screws.
5. Secure the canopy to the ceiling by tightening the collar with the Allen wrench, ensuring it fully covers the crossbar assembly.
6. Restore power at the breaker and test the fixture.

