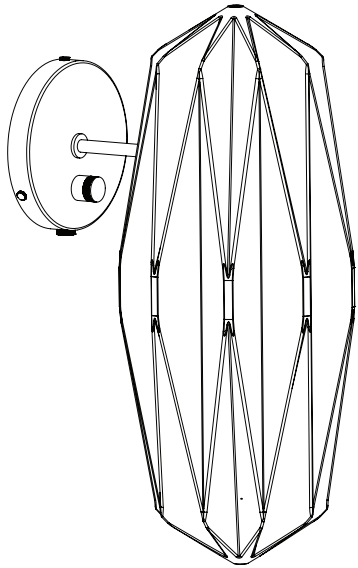


Option B: Continued

Hardwire / cordless mounting

5

Locate the opening of the Orikata sconce shade and spread the shade open and around the arm of the sconce body assembly. The brass cylinders above the wooden disc on the sconce body assembly should extend upward toward the top opening of the shade, and the horizontal arm of the sconce body should extend out of the shade through the circular hole at the back.



SPECIAL CONSIDERATIONS:

If you remove the sconce's power cord and hardwire mount the sconce to an existing electrical box, consider saving the unused cord for future use.

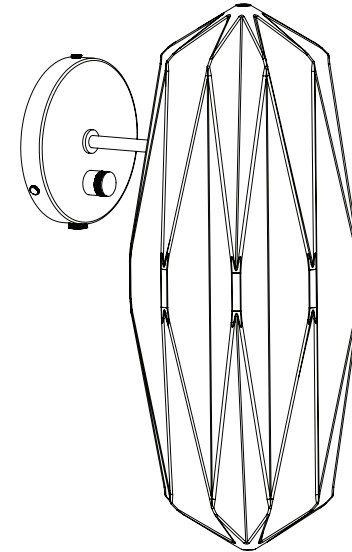
This wall sconce is dimmable; however, not all light bulbs are dimmable or will dim in the same manner. Order replacement bulbs at roomandboard.com

Room&Board

ASSEMBLY INSTRUCTIONS

Keep these instructions for future use

ORIKATA WALL SCONCE



CAUTION:

-It is strongly recommended that hardwire installation of this product is done by a professional.

-READ these safety instructions entirely prior to installation.
-DO NOT BEGIN INSTALLATION UNTIL ALL ELECTRICAL POWER TO THE INSTALLATION SITE HAS BEEN TURNED OFF AT THE CIRCUIT BREAKER!

RECOMMENDED TOOLS AND MATERIALS:

Power drill
1/16" drill Bit

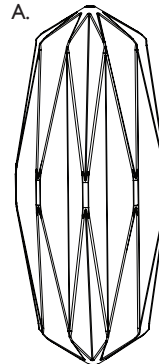
Phillips screwdriver
Level

Pencil
Electrical tape

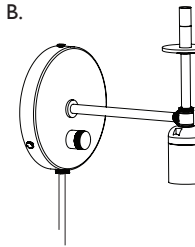
Pliers

THIS PRODUCT INCLUDES:

A.



B.



C.



D.



E.



(not to scale)

F.



A. Orikata sconce shade
B. Sconce body assembly
C. Junction box mounting screws

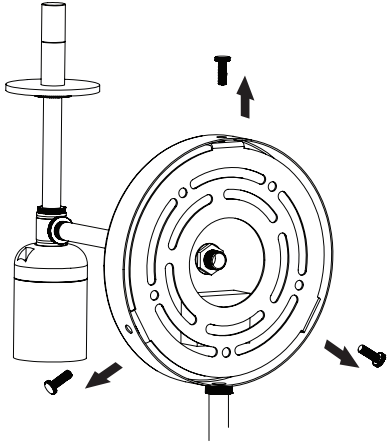
D. Drywall mounting screws
E. Drywall anchors
F. LED bulb

Option A: Mounting to a wall near an outlet

If you intend to hardwire this sconce to an existing junction box, proceed to option B.

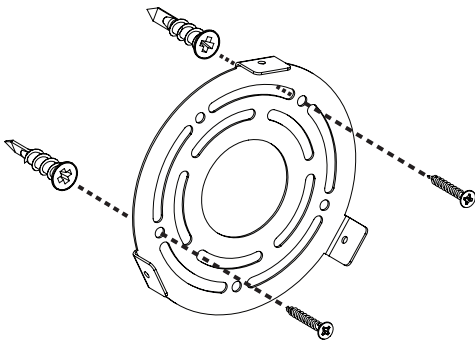
1

Detach the mounting plate from the back of the sconce body assembly by removing the three side thumb screws.



2

Choose where to mount your sconce, ensuring the power cord will reach the outlet you intend to use. Hold the wall mounting plate against the wall, and use a level to ensure one of the protruding tabs is horizontal and at the top of the mounting plate. Mark the location of any two screw holes with a pencil.

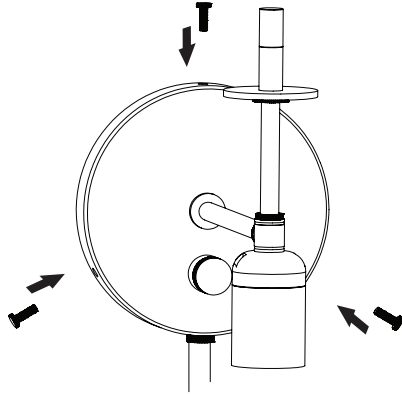


3

Remove the wall-mounting plate from its intended location. If you are mounting to drywall, use a power drill with a 1/16" drill bit to create pilot holes at the two screw marks. Screw the wall anchors into the holes until they are flush with the surface of the wall. Align the wall-mounting plate to the anchors and attach the mounting screws through the plate and into the anchors. *If you are mounting to a surface other than drywall, alternative hardware may be required.*

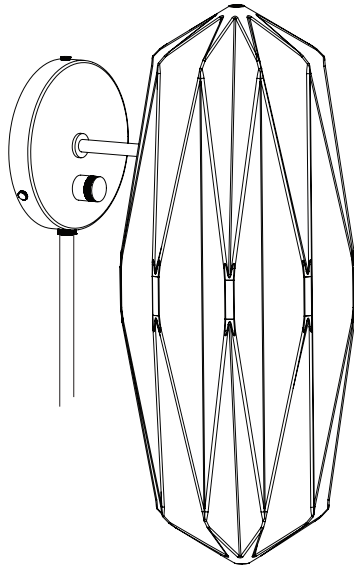
4

Reattach the sconce assembly to the mounting plate with the three side thumb screws you previously removed.



5

Screw in the included LED light bulb before attaching the Orikata sconce shade.



6

Locate the opening of the Orikata sconce shade and spread the shade open and around the arm of the sconce body assembly. The brass cylinders above the wooden disc on the sconce body assembly should extend upward toward the top opening of the shade, and the horizontal arm of the sconce body should extend out of the shade through the circular hole at the back.

Option B: Hardwire/Cordless Mounting

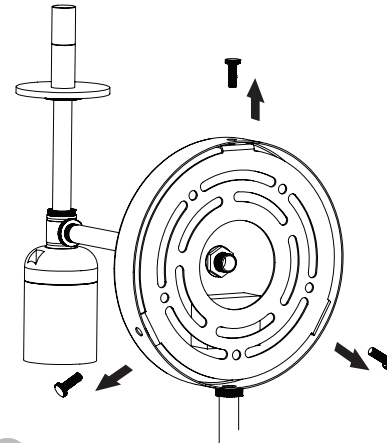
Use this option if you intend to mount this sconce to an existing junction box.

! CAUTION:

DO NOT BEGIN INSTALLATION UNTIL ALL ELECTRICAL POWER TO THE INSTALLATION SITE HAS BEEN TURNED OFF AT THE CIRCUIT BREAKER!

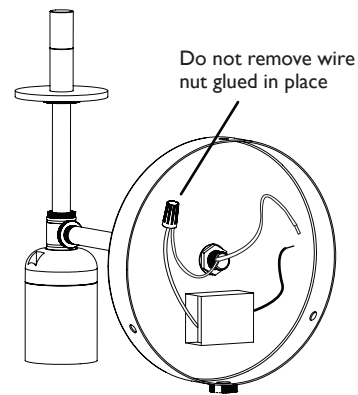
1

Detach the mounting plate from the back of the sconce body assembly by removing the three side thumb screws.



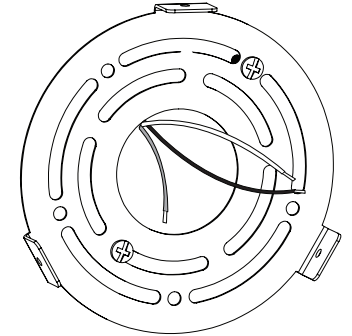
2

Use pliers to remove the two loose plastic wire nuts on the back of the sconce. This disconnects the included power cord from the fixture, which you will not need when hardwiring this sconce. Remove the black plastic strain relief to pull out the power cord from the bottom of the sconce.



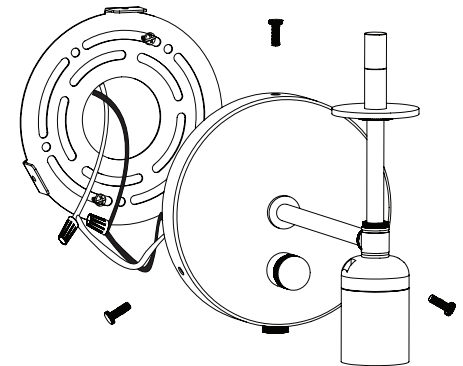
3

Feed the wires from the existing junction box through the center of the mounting plate. Position the mounting plate so that one of the protruding tabs is at the top and horizontal. Then, use the provided junction box mounting screws to attach the mounting plate to your existing junction box. If you have a green ground wire, this wire can be connected directly to your junction box or the mounting plate.



4

Use the previously removed wire nuts to twist together the junction box wires and their corresponding wires on the sconce. Reattach the sconce assembly to the mounting plate with the three previously removed side thumb screws.



5

Screw in the included LED light bulb before attaching the Orikata sconce shade.