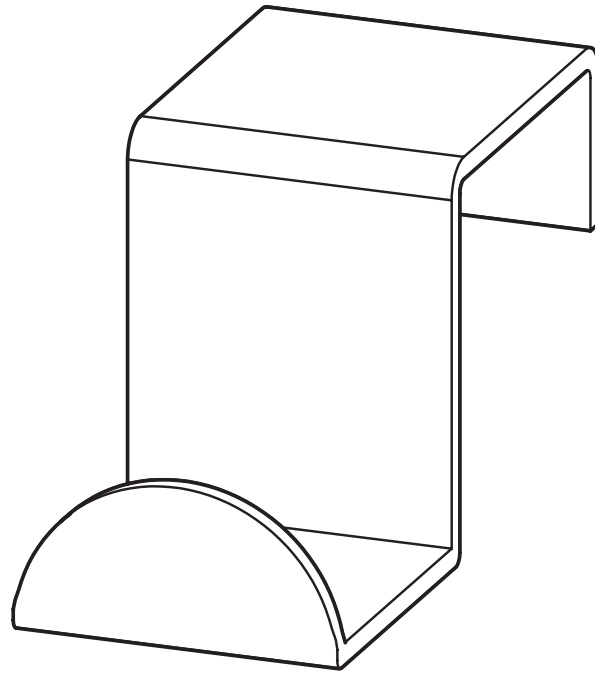


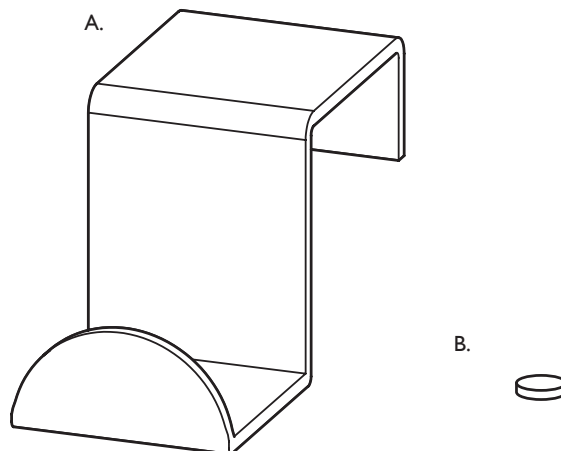
PORTER DESK HOOKS



(actual size may vary)

This Product Includes

- A. Porter Desk Hook
- B. Bumpers (x10)



(hardware not to scale)

Assembly Instructions

- 1** With two people, remove existing top from your table.
- 2** Place the Porter desk hook in desired location.
Note: Sliding the hook after mounting the table top again could result in damage.
- 3** Place adhesive bumpers around the perimeter of the entire table base. If table is rectangular, 2 bumpers on short sides and 3 on long sides is best.
Note: Stone tops may already have bumpers; if so, use those instead.
- 4** With two people, reattach table top to the base.
Note: Be sure to reattach wood tops using original screws. Stone tops rest freely.

