

MINI OFFICE CHAIR

Recommended Tools and Materials

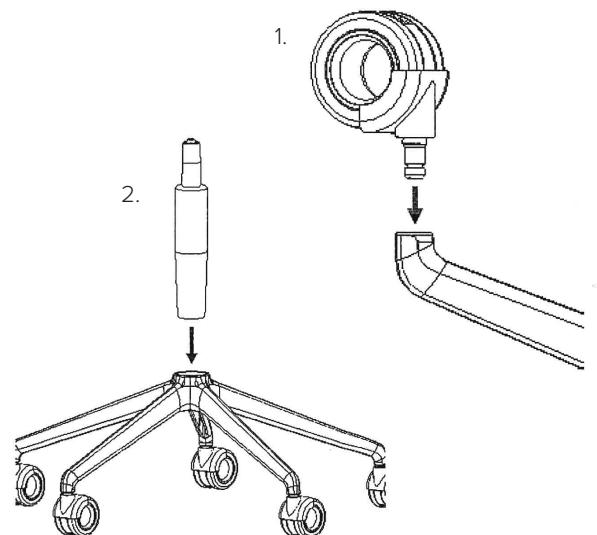
- 4mm Allen wrench (hex key)

This Product Includes

- A. Casters
- B. Metal leg base
- C. Gas cylinder (only on 5-caster design)
- D. Gas cylinder bracket (only on 5-caster design)
- E. Chair frame
- F. Screws

Instructions for 5-caster design:

- 1 Insert and push the casters into the metal leg base.
- 2 Insert the wider end of the gas cylinder into the metal leg base.
- 3 Turn the chair frame upside down. Line up the holes on the bottom of the chair with gas cylinder bracket. Screw the gas cylinder bracket to the bottom using the included screws and your Allen wrench.
Note: tighten screws slowly.
- 4 Insert and push the chair frame onto the gas cylinder.



Instructions for 4-caster design:

- 1 Insert and push the casters into the metal leg base.
- 2 Turn the chair frame upside down. Line up the holes on the bottom of the chair seat with the metal leg base. Screw the metal leg base to the chair using the included screws and your Allen wrench.
Note: tighten screws slowly.

