

## LINEAR FLOATING VANITIES INSTALLATION AND SPECIFICATIONS



### CAUTION

#### PROFESSIONAL INSTALLATION RECOMMENDED

Please inspect your new vanity prior to installation. Once the vanity has been installed or altered, such as cutting the cabinet's back panel or adhering the top, it cannot be returned. If you notice any damage or defects, please contact us at **800.486.6554** or [shop@roomandboard.com](mailto:shop@roomandboard.com) for assistance.

### Moving and Storage

- Keep in original packaging until installation to protect from damage.
- Do not stack anything on top of the packaging.
- Use a two-person team to lift and move.

### Installation Requirements

- Professional installation with a two-person team.
- Water supply and plumbing installed according to local code.
- Level floor and plumb walls at installation site.

### Vanity Installation Recommendations

- Cut or drill holes in the back or bottom panel of the vanity cabinet to accommodate plumbing.
- Attach the vanity cabinet securely to the wall using appropriate hardware for your wall material.

### Top Installation Recommendations

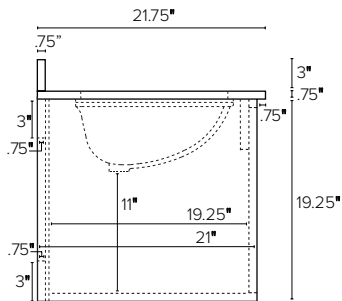
- Apply a nickel-sized amount of clear 100% silicone to all four corners of the top edge of the vanity cabinet.
- Using a two-person team, lift and place the vanity top. Lower it slowly; do not drop it onto the vanity cabinet.
- Wipe off excess silicone immediately.

### Backsplash and Side Splash Installation Recommendations

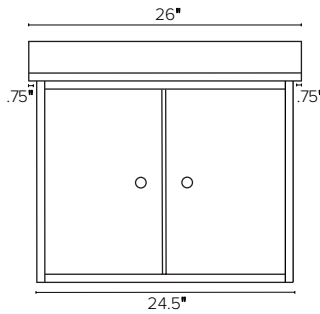
- Apply a nickel-sized amount of clear 100% silicone every eight to ten inches on the wall where the backsplash will be installed.
- Install the backsplash by gently pushing it onto the wall and centering it on the top.
- If you selected a left overhang or right overhang top, a side splash is included. Install the side splash after the backsplash.
- Once cured, run a small bead of 100% clear silicone along the joint where the backsplash and optional side splash meet the vanity top.

For wood and quartz cleaning and care information, visit [roomandboard.com/care](https://roomandboard.com/care).

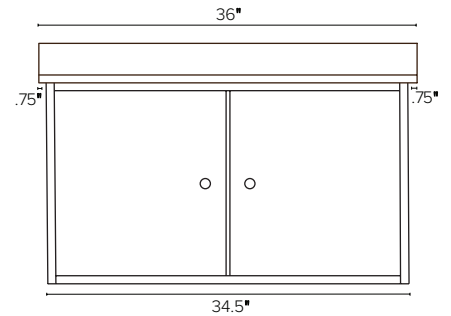
# Linear Floating Vanities



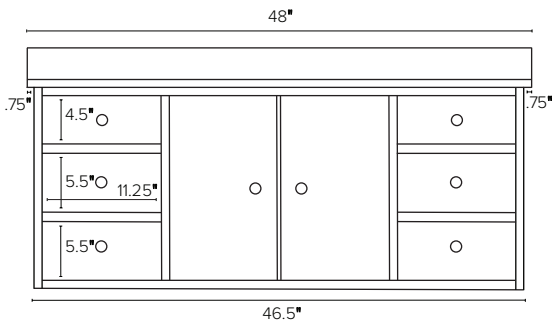
**Side view** measurements apply to all vanity sizes and both sink shapes.



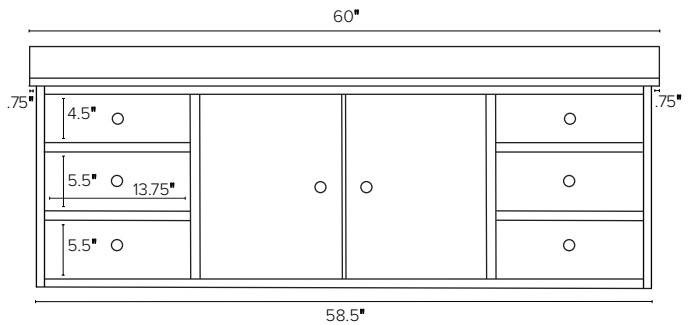
**26w 21.75d 34h Single-Sink Vanity**  
Tops with an overhang left side only or right side only are 25.25" wide.



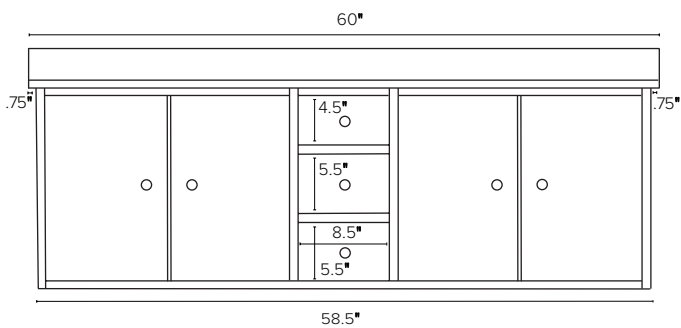
**36w 21.75d 34h Single-Sink Vanity**  
Tops with an overhang left side only or right side only are 35.25" wide.



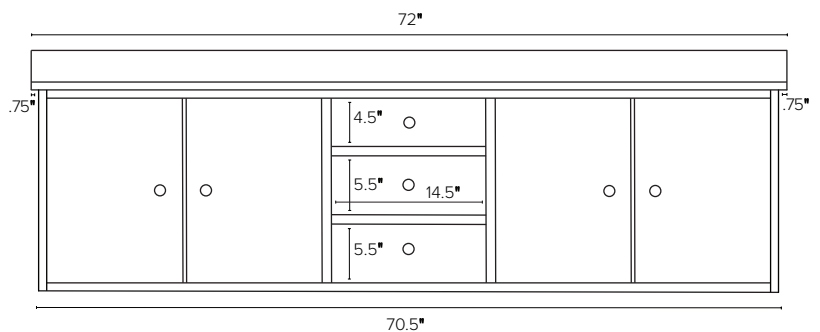
**48w 21.75d 34h Single-Sink Vanity**  
Tops with an overhang left side only or right side only are 47.25" wide.



**60w 21.75d 34h Single-Sink Vanity**  
Tops with an overhang left side only or right side only are 59.25" wide.



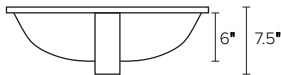
**60w 21.75d 34h Double-Sink Vanity**  
Tops with an overhang left side only or right side only are 59.25" wide.



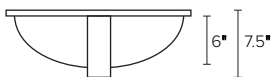
**72w 21.75d 34h Double-Sink Vanity**  
Tops with an overhang left side only or right side only are 71.25" wide.

# Vanity Tops and Sinks

- All vanity tops available with left and right side overhang, no overhang, overhang left side only or overhang right side only.
- Backsplash included; side splash included for overhang left side only or overhang right side only.

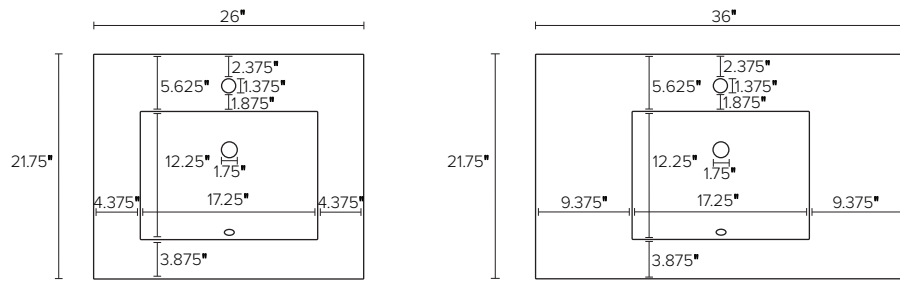


Rectangular sink front view

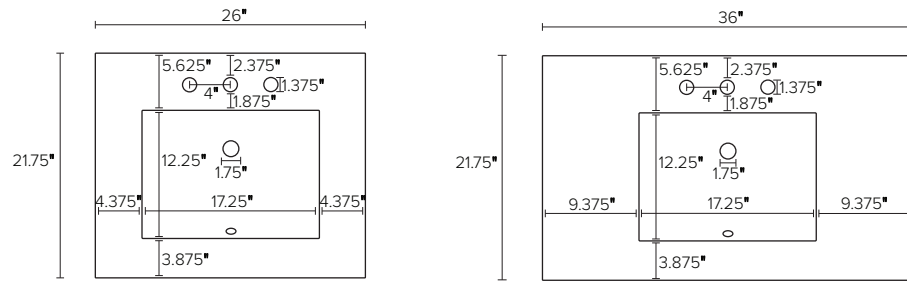


Oval sink front view

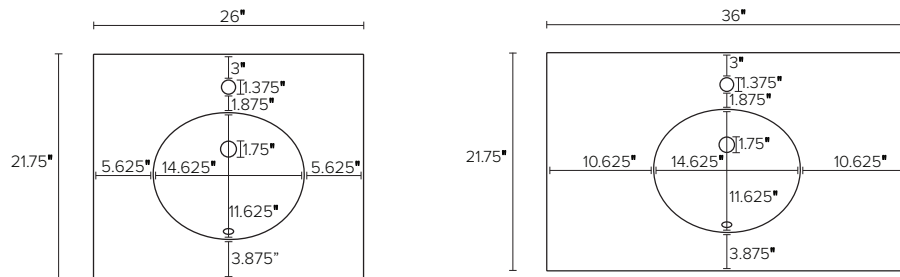
## 26" and 36" RECTANGULAR SINKS, single faucet hole



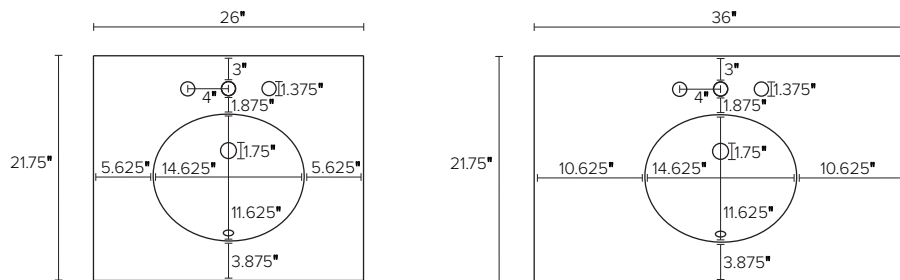
## 26" and 36" RECTANGULAR SINKS, 8" spread faucet holes



## 26" and 36" OVAL SINKS, single faucet hole



## 26" and 36" OVAL SINKS, 8" spread faucet holes

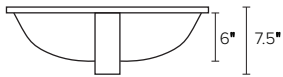


**26w 21.75d 34h Single-Sink Vanity**  
Tops with no overhang are 24.5" wide;  
tops with an overhang left side only or  
right side only are 25.25" wide.

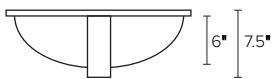
**36w 21.75d 34h Single-Sink Vanity**  
Tops with no overhang are 34.5" wide;  
tops with an overhang left side only or  
right side only are 35.25" wide.

# Vanity Tops and Sinks

- All vanity tops available with left and right side overhang, no overhang, overhang left side only or overhang right side only.
- Backsplash included; side splash included for overhang left side only or overhang right side only.

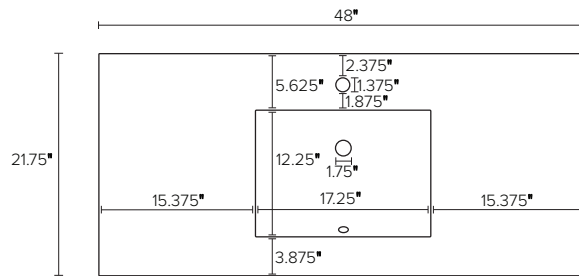


**Rectangular sink front view**

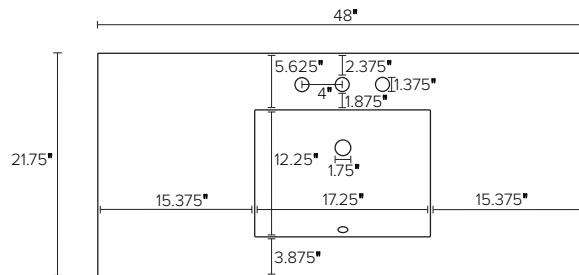


**Oval sink front view**

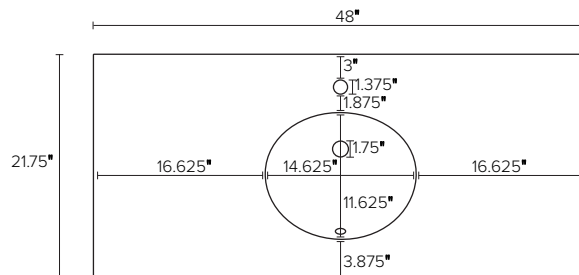
## 48" RECTANGULAR SINKS, single faucet hole



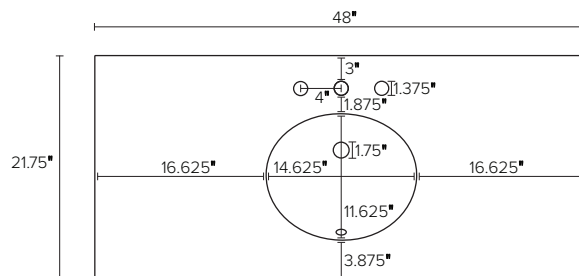
## 48" RECTANGULAR SINKS, 8" spread faucet holes



## 48" OVAL SINKS, single faucet hole



## 48" OVAL SINKS, 8" spread faucet holes

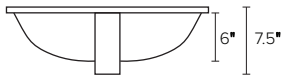


### 48w 21.75d 34h Single-Sink Vanity

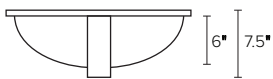
Tops with no overhang are 46.5" wide; tops with an overhang left side only or right side only are 47.25" wide.

# Vanity Tops and Sinks

- All vanity tops available with left and right side overhang, no overhang, overhang left side only or overhang right side only.
- Backsplash included; side splash included for overhang left side only or overhang right side only.

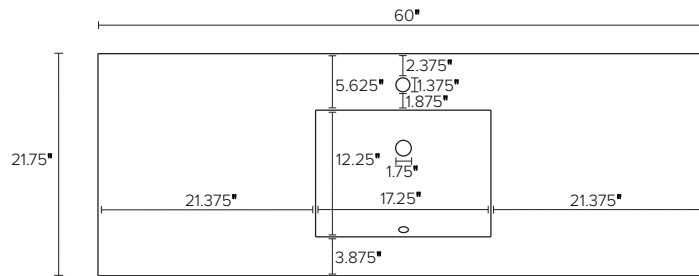


Rectangular sink front view

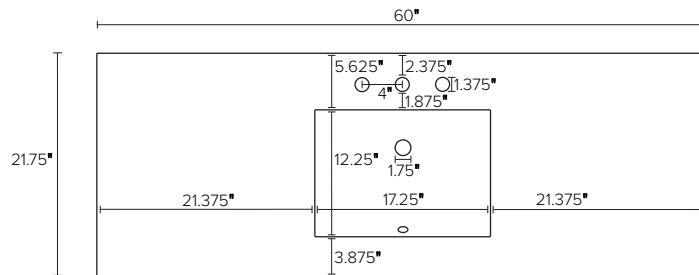


Oval sink front view

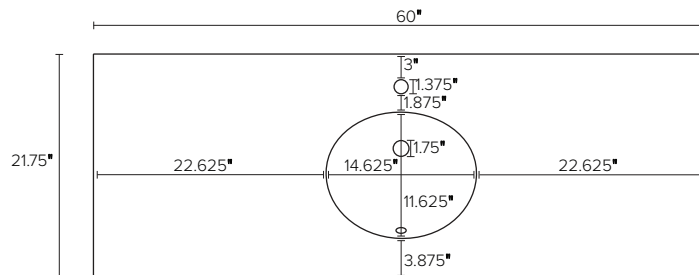
## 60" RECTANGULAR SINKS, single faucet hole



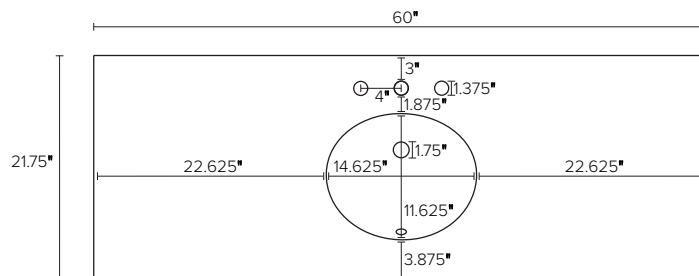
## 60" RECTANGULAR SINKS, 8" spread faucet holes



## 60" OVAL SINKS, single faucet hole



## 60" OVAL SINKS, 8" spread faucet holes

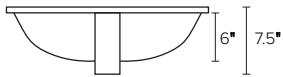


### 60w 21.75d 34h Single-Sink Vanity

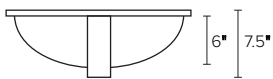
Tops with no overhang are 58.5" wide; tops with an overhang left side only or right side only are 59.25" wide.

# Vanity Tops and Sinks, continued

- All vanity tops available with left and right side overhang, no overhang, overhang left side only or overhang right side only.
- Backsplash included; side splash included for overhang left side only or overhang right side only.

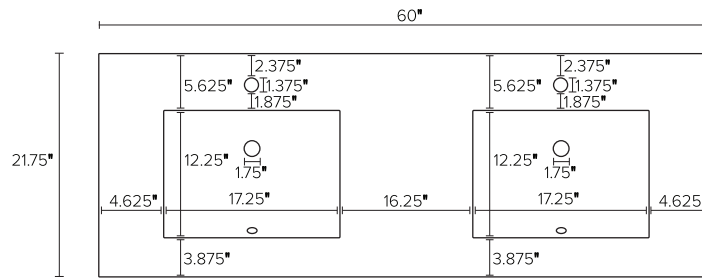


Rectangular sink front view

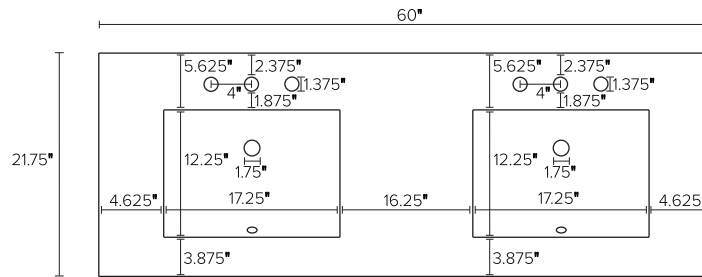


Oval sink front view

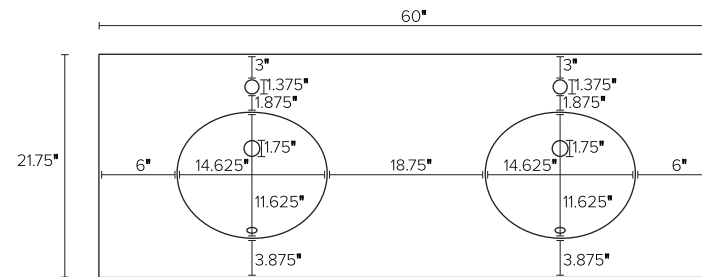
## 60" RECTANGULAR SINKS, single faucet hole



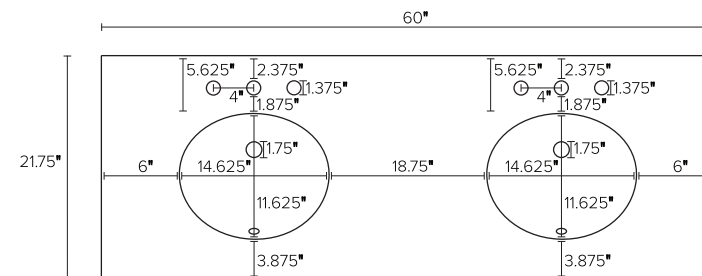
## 60" RECTANGULAR SINKS, 8" spread faucet holes



## 60" OVAL SINKS, single faucet hole



## 60" OVAL SINKS, 8" spread faucet holes

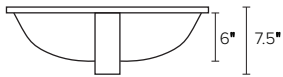


### 60w 21.75d 34h Double-Sink Vanity

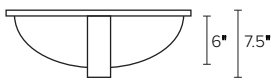
Tops with no overhang are 58.5" wide; tops with an overhang left side only or right side only are 59.25" wide.

# Vanity Tops and Sinks, continued

- All vanity tops available with left and right side overhang, no overhang, overhang left side only or overhang right side only.
- Backsplash included; side splash included for overhang left side only or overhang right side only.

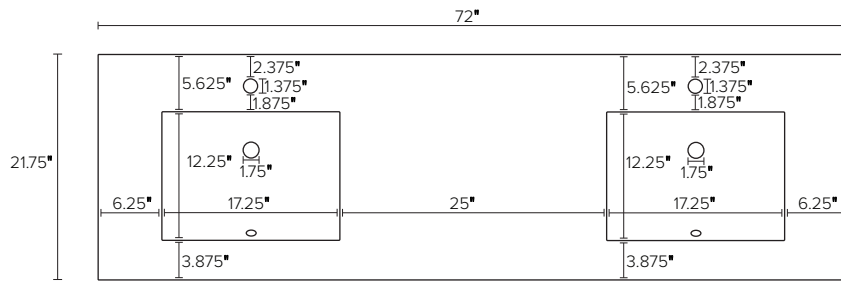


Rectangular sink front view

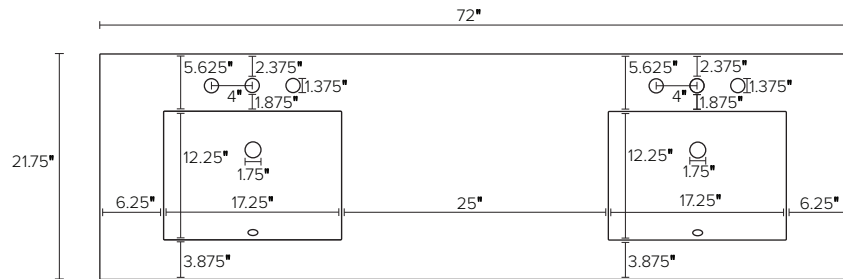


Oval sink front view

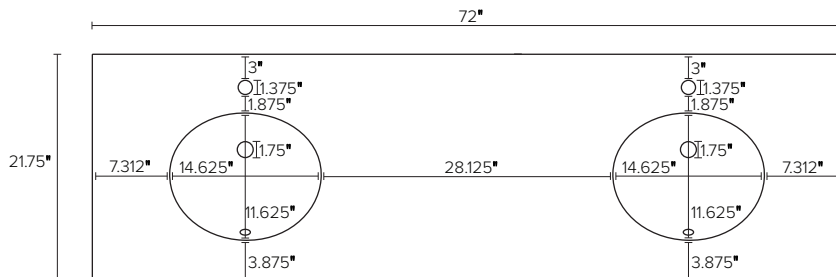
## 72" RECTANGULAR SINKS, single faucet hole



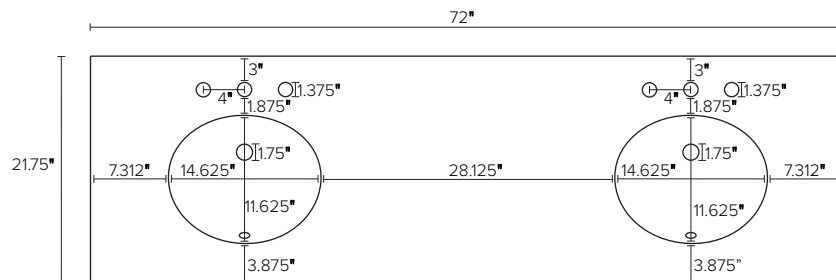
## 72" RECTANGULAR SINKS, 8" spread faucet holes



## 72" OVAL SINKS, single faucet hole



## 72" OVAL SINKS, 8" spread faucet holes



### 72w 21.75d 34h Double-Sink Vanity

Tops with no overhang are 70.5" wide; tops with an overhang left side only or right side only are 71.25" wide.

# CAUTION: RISK OF PROPERTY DAMAGE

Professional installation required. Two people should perform this installation.

To properly support this product's weight, you must secure the included wood cleat to your wood stud framing or a 2x6 support behind the finished wall. This vanity CANNOT be mounted to drywall only. Consult a professional for guidance on the appropriate hardware for your application. Follow all local plumbing and building codes.

