

PRATT VANITIES INSTALLATION AND SPECIFICATIONS



CAUTION

PROFESSIONAL INSTALLATION RECOMMENDED

Please inspect your new vanity prior to installation. Once the vanity has been installed or altered, such as adhering the top, it cannot be returned. If you notice any damage or defects, please contact us at **800.486.6554** or shop@roomandboard.com for assistance.

Moving and Storage

- Keep in original packaging until installation to protect from damage.
- Do not stack anything on top of the packaging.
- Use a two-person team to lift and move.

Installation Requirements

- Professional installation with a two-person team.
- Water supply and plumbing installed according to local code.
- Level floor and plumb walls at installation site.

Vanity Installation Recommendations

- Attach the vanity base securely to the wall using appropriate hardware for your wall material.
- If needed, use the supplied leveler feet to accommodate a floor that is not level. To use, remove plastic foot caps, insert the levelers and set at the desired height.

Top Installation Recommendations

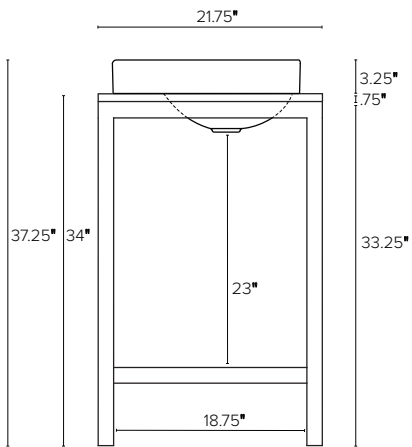
- Apply a nickel-sized amount of clear 100% silicone to all four corners of the top edge of the vanity base.
- Using a two-person team, lift and place the vanity top. Lower it slowly; do not drop it onto the vanity base.
- Wipe off excess silicone immediately.

Sink Installation Recommendations

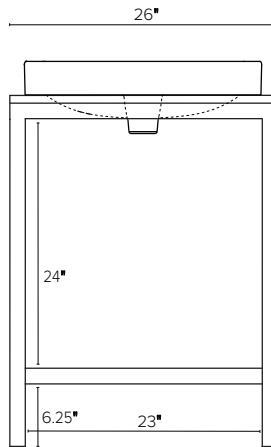
- Apply a dime-sized amount of clear 100% silicone onto the vanity top close to the edge of each four corners of the sink cut-out.
- Using a two-person team, position the sink over the top, aligning the drain side of the sink with the notch side of the sink cut-out.
- Slowly lower sink onto the vanity top; do not drop sink onto vanity top.
- Measure to ensure sink is centered front to back, and side to side. Adjust as necessary.
- When previously applied silicone is cured, run a small amount of 100% silicone adhesive around the base of the sink to seal the space between the sink and vanity top.
- Wipe off excess silicone immediately.

For metal and quartz cleaning and care information, visit roomandboard.com/care.

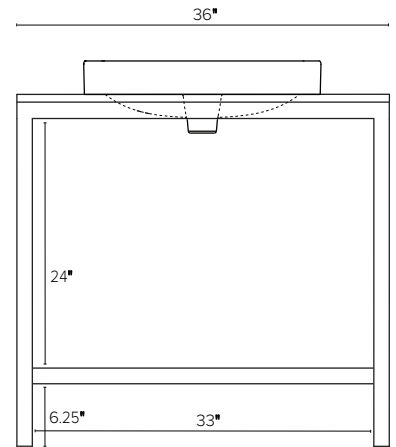
Pratt Vanities



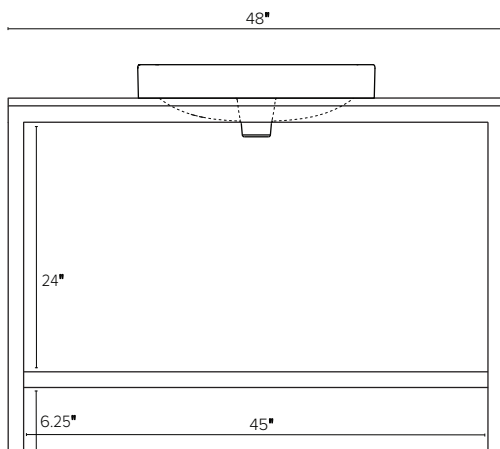
Side view measurements apply to all vanity sizes.



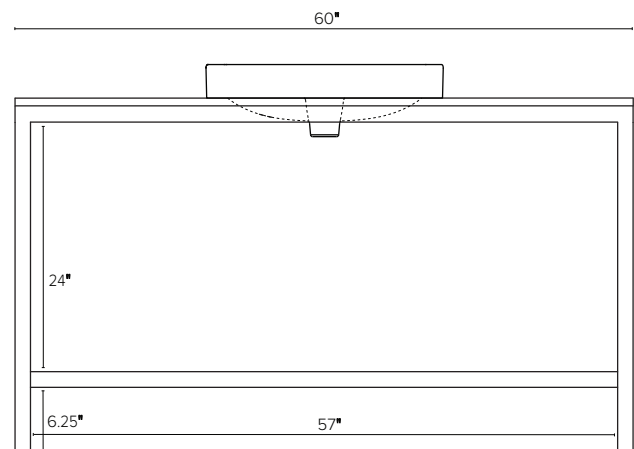
26w 21.75d 34h Single-Sink Vanity



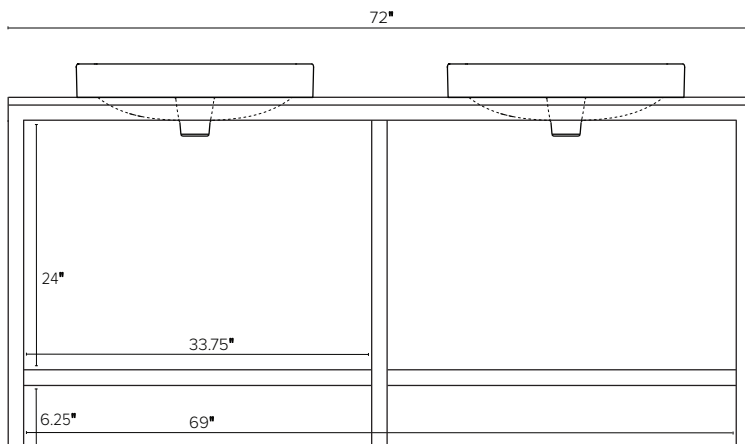
36w 21.75d 34h Single-Sink Vanity



48w 21.75d 34h Single-Sink Vanity

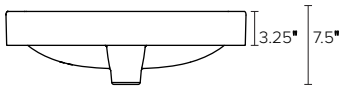


60w 21.75d 34h Single-Sink Vanity



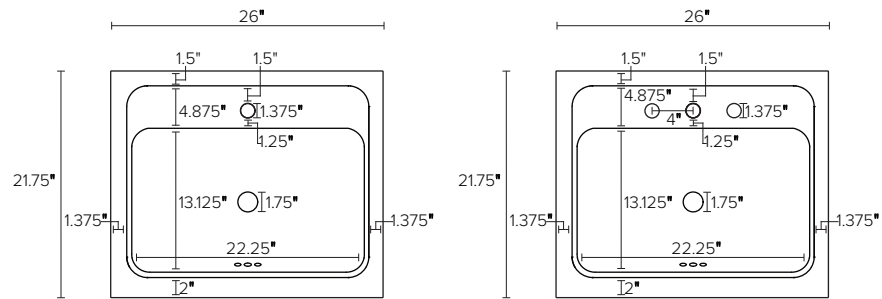
72w 21.75d 34h Double-Sink Vanity

Vanity Tops and Sinks

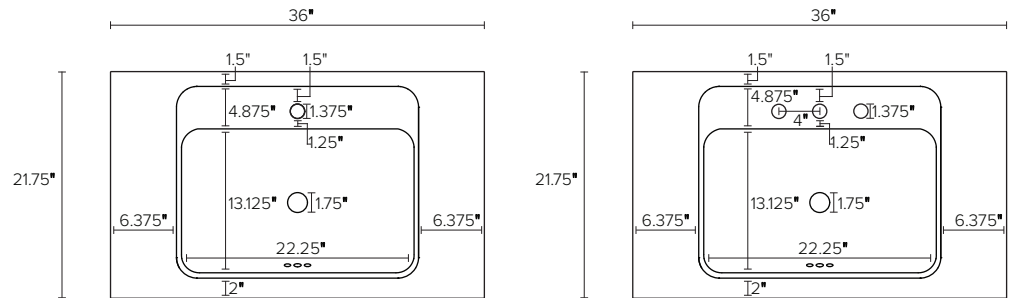


Vessel sink front view

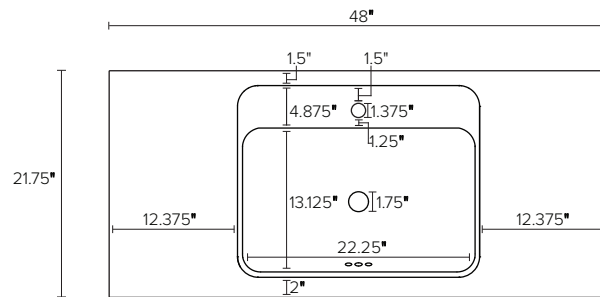
26" RECTANGULAR SINKS, single faucet (L) and 8" spread faucet holes (R)



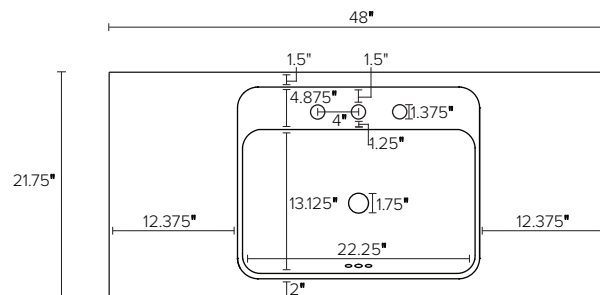
36" RECTANGULAR SINKS, single faucet (L) and 8" spread faucet holes (R)



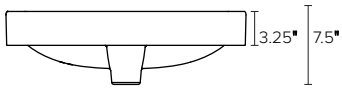
48" RECTANGULAR SINKS, single faucet



48" RECTANGULAR SINKS, 8" spread faucet holes

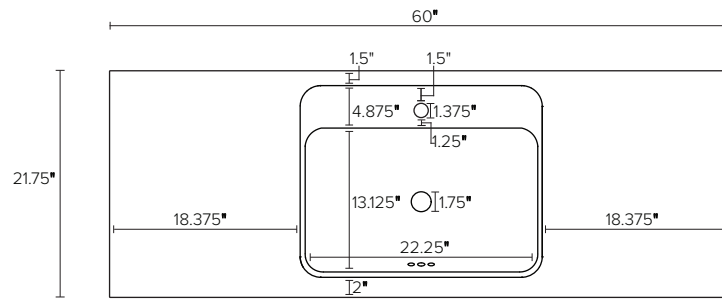


Vanity Tops and Sinks, continued

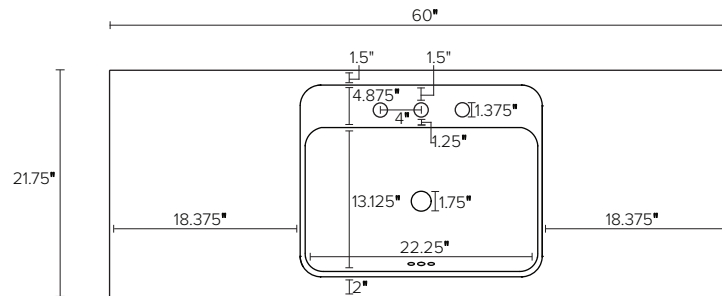


Vessel sink front view

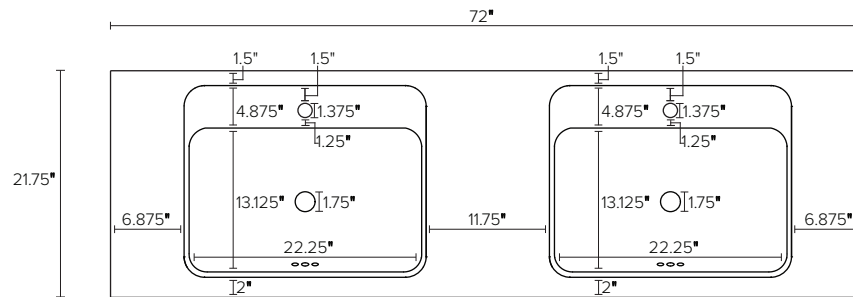
60" RECTANGULAR SINKS, single faucet



60" RECTANGULAR SINKS, 8" spread faucet holes



72" RECTANGULAR SINKS, single faucet



72" RECTANGULAR SINKS, 8" spread faucet holes

