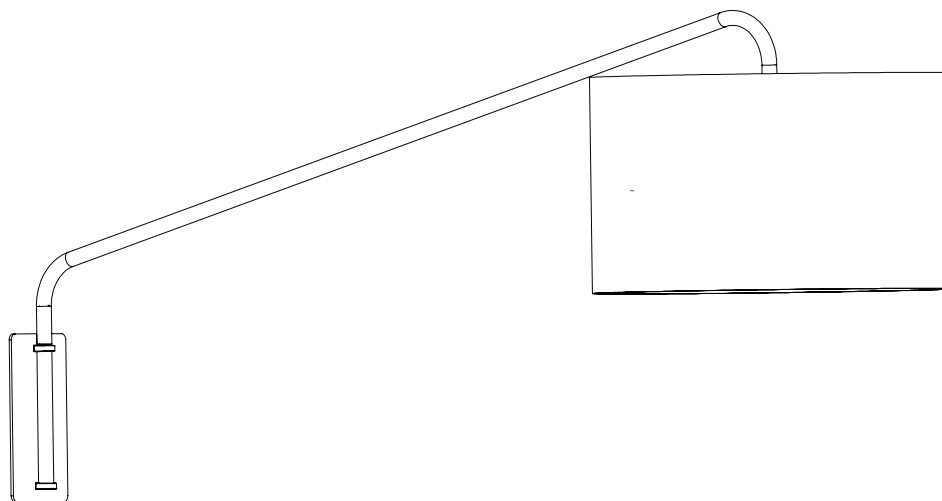


ROWLAND WALL SCONCE



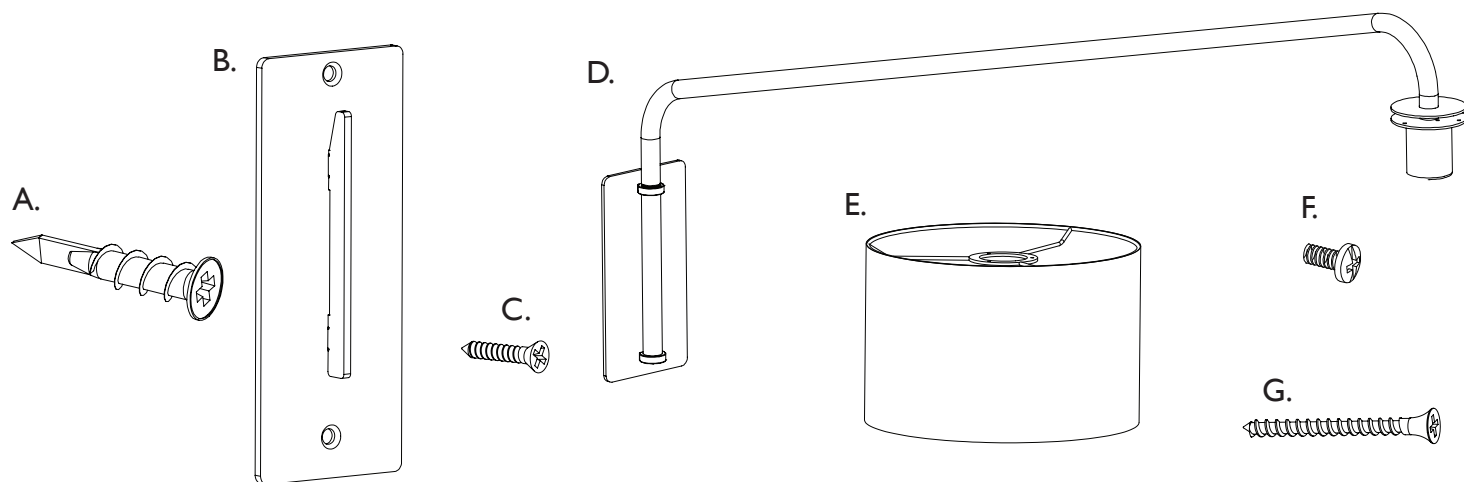
RECOMMENDED TOOLS AND MATERIALS:

Pencil
1/16" Drill bit

#2 Phillips screwdriver
Power drill

Level

THIS PRODUCT INCLUDES:

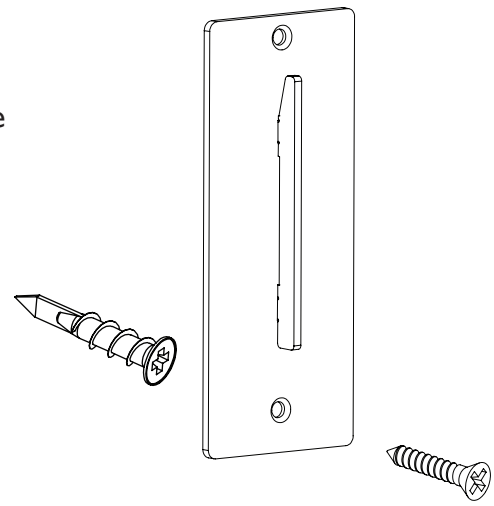


- A. - Wall anchors (X2)
- B. - Mounting plate
- C. - Short screws (X2)
- D. - Rowland wall sconce assembly
- E. - Rowland wall sconce shade
- F. - Shade assembly screws (X3)
- G. - Long wood screws (X2)

(hardware not to scale)

1

Hold the mounting plate to your wall in the desired location. Use a level to ensure the mounting plate is vertical. Then use a pencil to mark your wall through the two screw holes on the mounting plate.



2

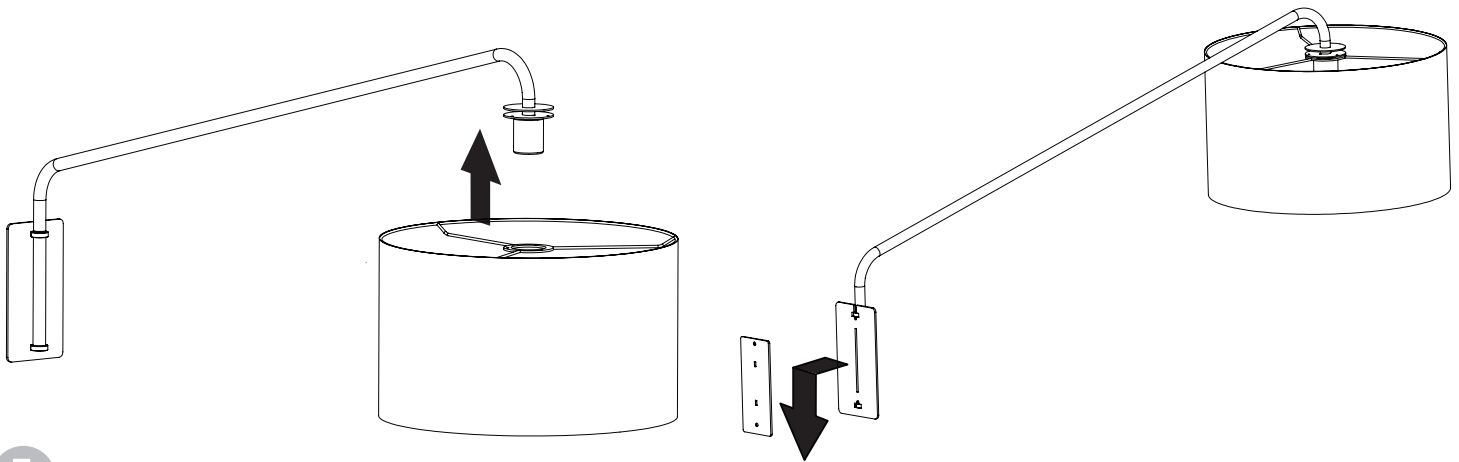
With a power drill, use a 1/16" drill bit to drill pilot holes at your marks. Then use a screwdriver or power drill to screw the wall anchors into your pre-drilled holes. Be sure to drill the anchors in fully so they are flush with the wall before continuing to the next step.

3

Place and hold the mounting plate over the wall anchors so the two screw holes align with the wall anchors. The mounting plate should be positioned so the protruding cleat points upward. Using a #2 Phillips screwdriver, insert the short screws through the mounting plate and into the wall anchors. Tighten the screws fully until the mounting plate is flush and firmly mounted to the wall.

4

Attach the Rowland wall sconce shade to the Rowland wall sconce assembly with the provided assembly screws after sliding it up over the bulb socket. Rotate the shade so the vertical seam is in your desired location before fully tightening the screws.



5

Slide the Rowland wall sconce assembly downward over the mounting plate. The protruding cleat of the mounting plate should lock into the vertical slot at the back of the sconce assembly.

SPECIAL CONSIDERATIONS:

If mounting this sconce to a wall surface material other than drywall, alternative hardware might be necessary. Two long wood screws are provided to mount the mounting plate directly to a wall stud. Consult a professional if you have any questions regarding proper installation.