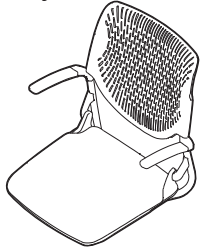


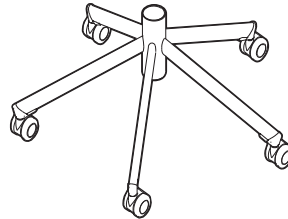
- This is an assembly manual for the Runa chair.
- Please read this document before assembling the chair.

Parts

Main body



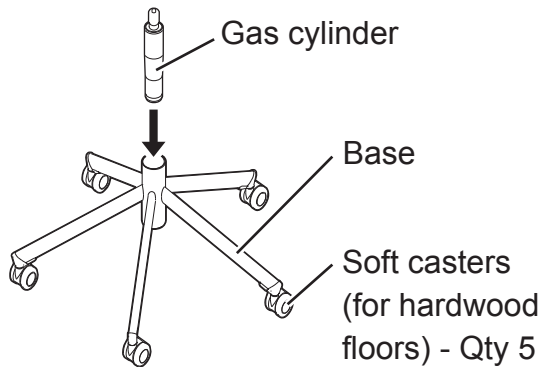
Base



Gas cylinder

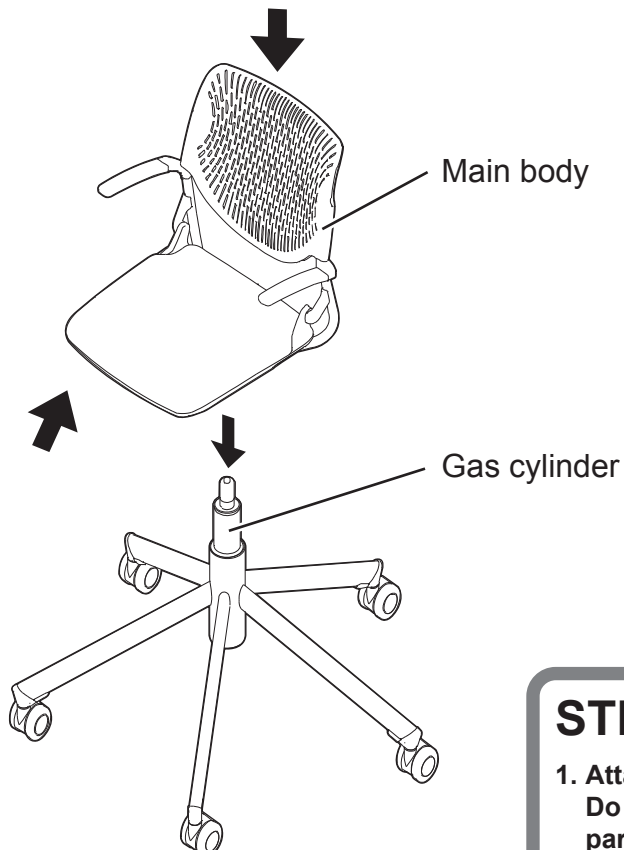


Instructions



STEP 1

1. Place the base on a flat surface.
2. Insert gas cylinder into the base as shown. Ensure that the gas cylinder is placed straight down into the base.



STEP 2

1. Attach the main body to the gas cylinder as shown. Do not hold the arms of the main body. Hold the parts indicated by the arrows in the figure.

Notes

- The main body is heavy. Please use extra caution when attaching it to the gas cylinder.
- Do not hold the arms of the main body. Hold the parts indicated by the arrows in the figure in STEP 2 when you attach the main body to the gas cylinder.
- To purchase additional casters or hard casters (for carpeted floors), or for any service related questions, please contact a Room & Board Design Associate at 800-301-9720.

Room&Board[®]

Room and Board Shop From Home Design associates at 800-301-9720.