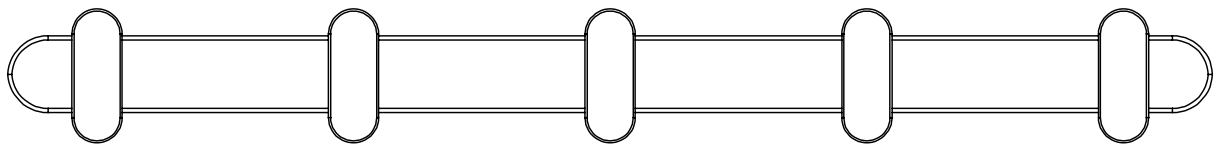


SONORA WALL HOOK

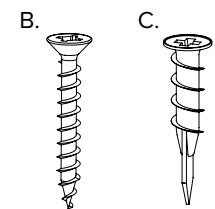
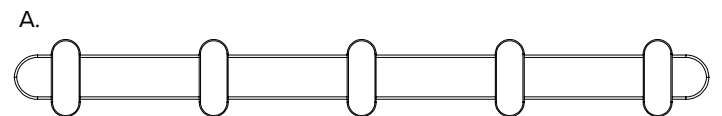


Recommended Tools/Materials

- Level
- 3/16 drill bit
- #2 Philips screwdriver
- Power drill
- Pencil
- Tape measure
- Painters tape

This Product Includes

- Sonora wall hook
- Mounting screws (2)
- Drywall anchors (2)



(hardware not to scale)

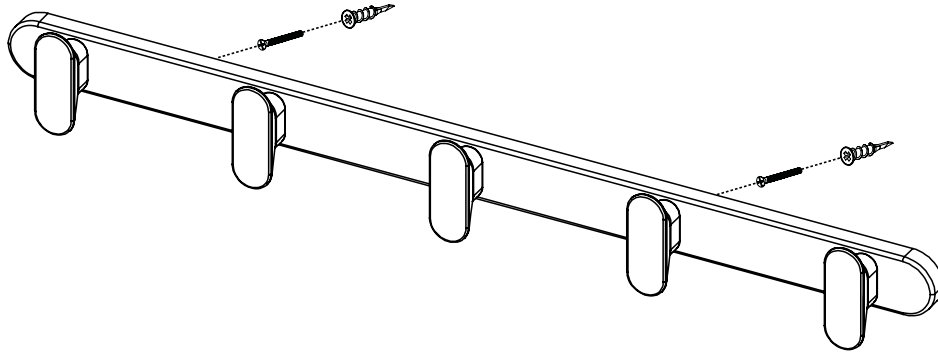


CAUTION

The maximum recommended load for this product is 15 pounds per hook and a combined total of 75 pounds. If you are mounting this shelf to a surface other than drywall, or if you are uncertain about assembly, please contact a professional for help with installation.

Installation Instructions

1. Hold the wall hook at your desired location against the wall. Use a level and a pencil to mark an even horizontal line for the top edge.
2. Run a strip of painter's tape across the back of the wall hook covering both keyhole slots. Poke a hole through the center of the narrow end of each keyhole. Remove the tape from the wall hook, then stick it onto your wall at the height you marked. The holes in the tape are your screw locations.
3. Pre-drill small pilot holes (about 1/8" is typical for #8 screws). Then drive drywall anchors straight into the drywall until flush.



4. Drive the screws into the stud/anchors but leave each head sticking out about 1/8–3/16 in so the keyhole can catch.
5. Align the wide opening of each keyhole over the screw heads, press the hook flat to the wall, then slide down so the screws sit in the narrow part of the slots.

NOTE: If there's any wiggle, lift the hook off, tighten each screw ¼ turn, and rehang. Repeat until it's firm but still able to slide onto the screws.