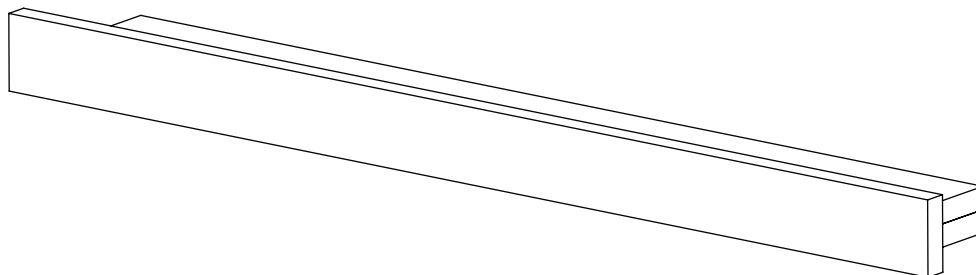


Keep these instructions for future use

### SILL PICTURE LEDGES



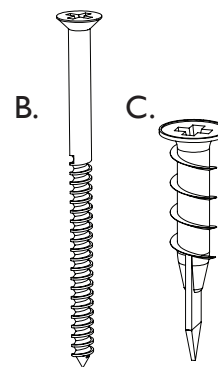
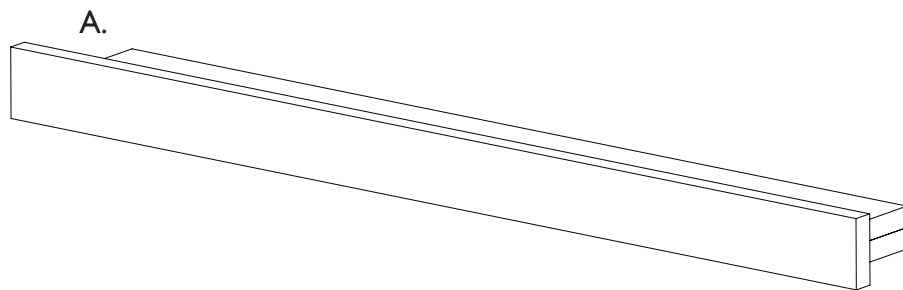
#### RECOMMENDED TOOLS AND MATERIALS:

Level  
3/16" drill bit

#2 Phillips screwdriver  
Power drill

Pencil  
Tape measure

#### THIS PRODUCT INCLUDES:



(hardware not to scale)

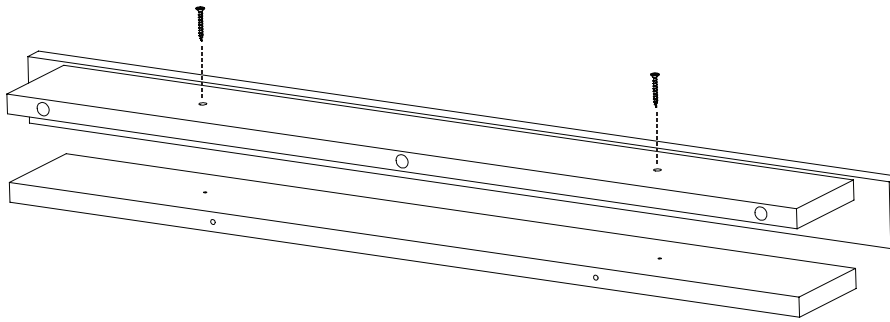
- A. Sill picture ledge assembly (wall mount strip attached)
- B. Mounting screws x2
- C. Wall anchors x2

#### SPECIAL CONSIDERATIONS:

The maximum recommended load for this product is 20 pounds. If you are mounting this shelf to a surface other than drywall, or if you are uncertain about assembly, please contact a professional for help with installation.

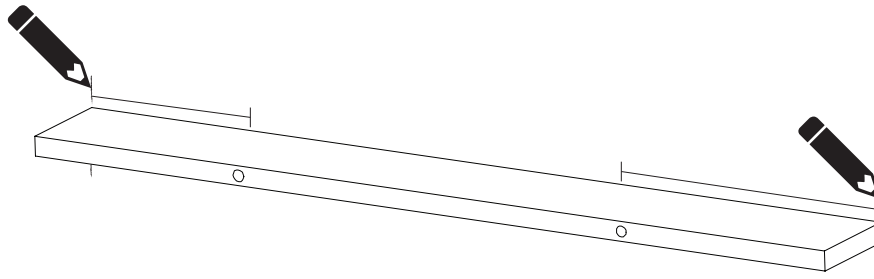
1

Separate the wooden wall mount strip from Sill picture ledge assembly by removing the two assembly screws on the underside of the ledge assembly with a #2 Phillips screwdriver. Save the screws for reassembly.



2

Place the wooden wall mount strip on the wall at the ledge's intended location. Use a level to ensure the wall mount strip is properly positioned. Use a pencil to make a mark on the wall along the two vertical edges of the wall mount strip, then use a tape measure to measure the distance of the screw holes from the edge of the wall mount strip. Make a mark on the wall at that distance in from each edge mark. These marks will be the mounting screw locations.

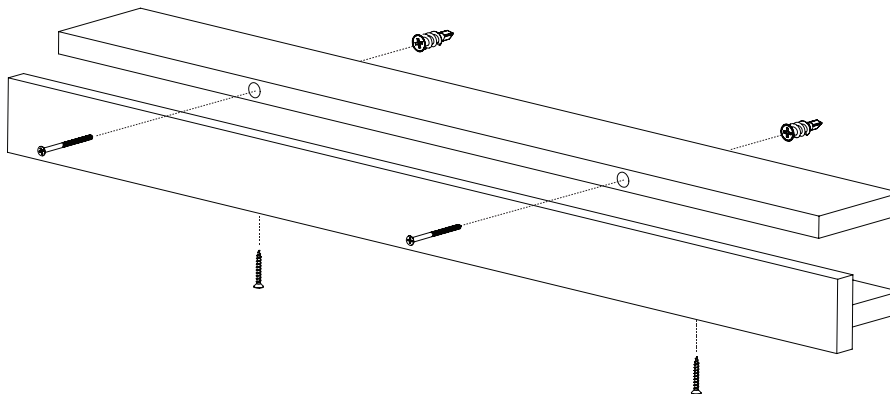


3

Use a power drill and a 3/16" drill bit to drill pilot holes at your mounting screw location marks. If you've planned your mounting screw locations to correspond with wall studs, there is no need to use the included wall anchors. Otherwise, use a #2 Phillips screwdriver to screw in the wall anchors until they are flush with the surface of the wall.

4

Insert the mounting screws through the large holes in the wall mount strip and use a #2 Phillips screwdriver to fasten them into the wall anchors. Be sure the wall mount strip is oriented so that the pre-drilled screw holes are facing the floor.



5

Hold the ledge assembly against the underside of the wall mount strip and use the previously removed assembly screws to reattach the ledge to the wall mount strip.