

SYLVAN ACCENT CHAIR

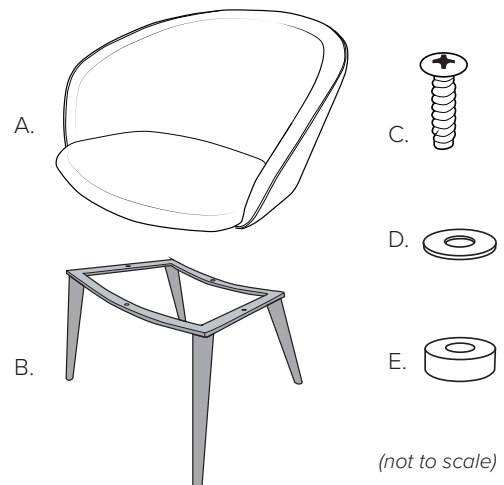


Recommended Tools and Materials

- Phillips head screwdriver

This Product Includes

- A. (1) upholstered seat
- B. (1) base
- C. (4) screws
- D. (4) washers
- E. (2) rubber washers



Sylvan Assembly Instructions

- 1 Remove the seat and base from the packaging and place the seat upside down on a clean surface so you have easy access to the underside. Do not remove the arrow sticker on the base.
- 2 Locate the four holes on the bottom of the seat and line them up with the holes in the base. The arrow should be pointing to the front of the seat where your knees would rest. You'll notice the front legs are slightly farther apart from each other than the back legs are from each other.
- 3 As you can see in the illustration, the two rubber washers go between the base and the seat between the front and back legs.
- 4 Use a Phillips head screwdriver and the included screws and washers to secure the base to the bottom of the chair. Turn the chair right side up on its legs.

