

## SYLVAN DINING CHAIR

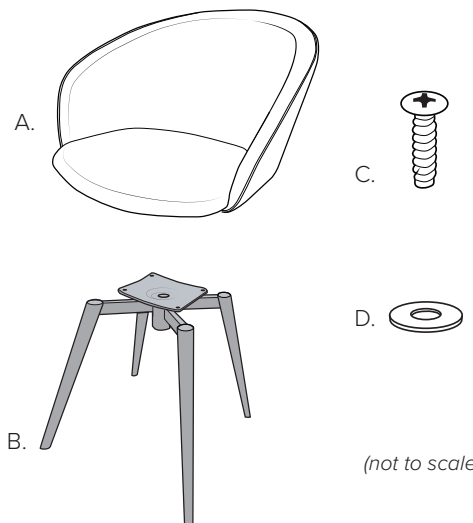


### Recommended Tools and Materials

- Phillips head screwdriver

### This Product Includes

- A. (1) upholstered seat
- B. (1) swivel base
- C. (4) screws
- D. (4) washers



(not to scale)

# Sylvan Assembly Instructions

- 1 Remove the seat and base from the packaging and place the seat upside down on a clean surface so you have easy access to the underside. Do not remove the arrow sticker on the base.
- 2 Locate the four holes on the bottom of the seat and line them up with the holes in the base. The arrow should be pointing to the front of the seat where your knees would rest.
- 3 Use a Phillips head screwdriver and the included screws and washers to secure the base to the bottom of the seat. Turn the chair right side up on its legs.

