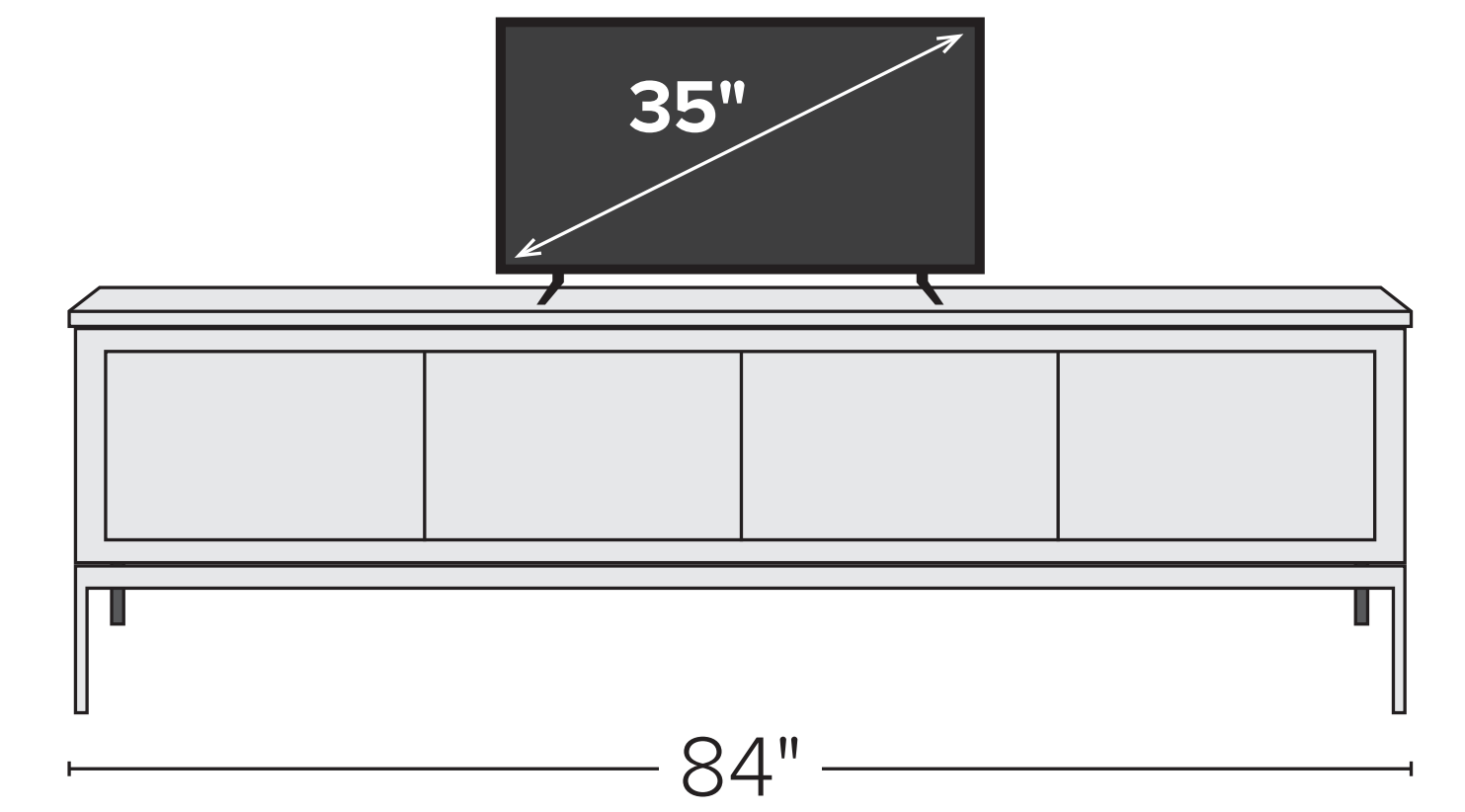
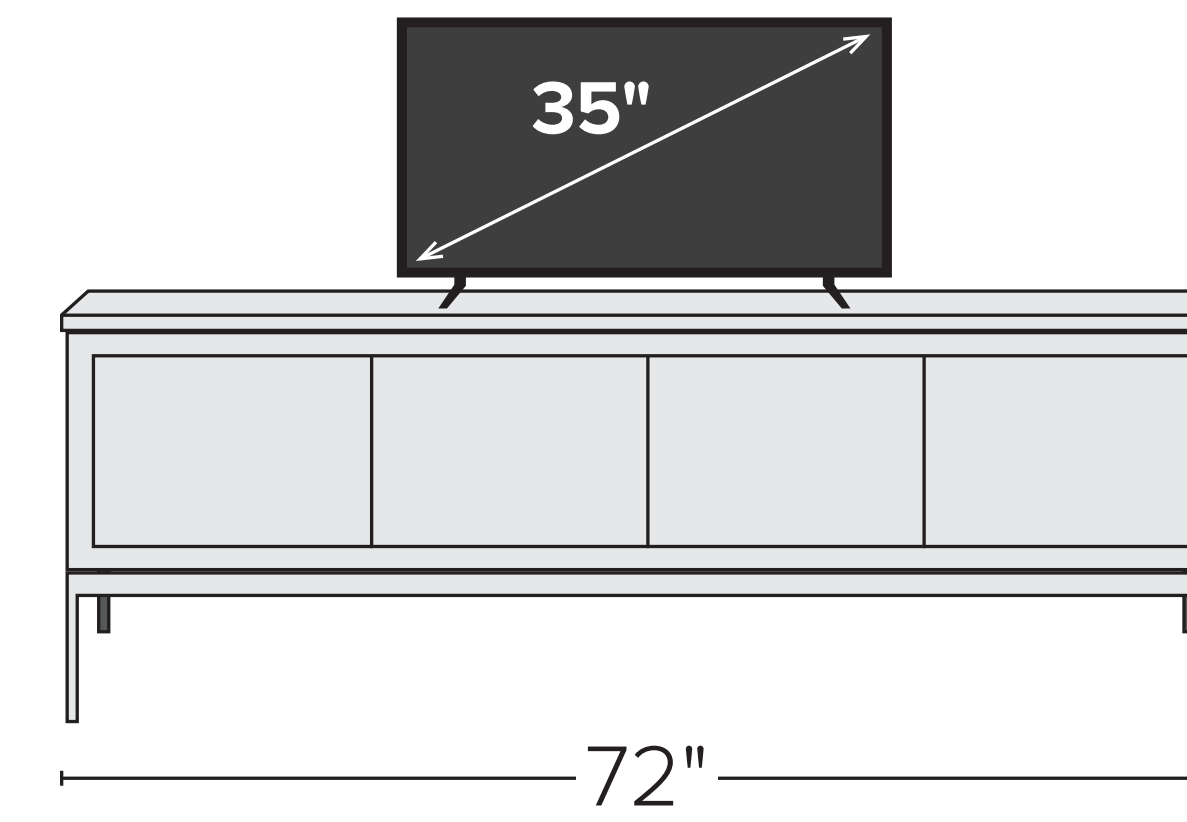
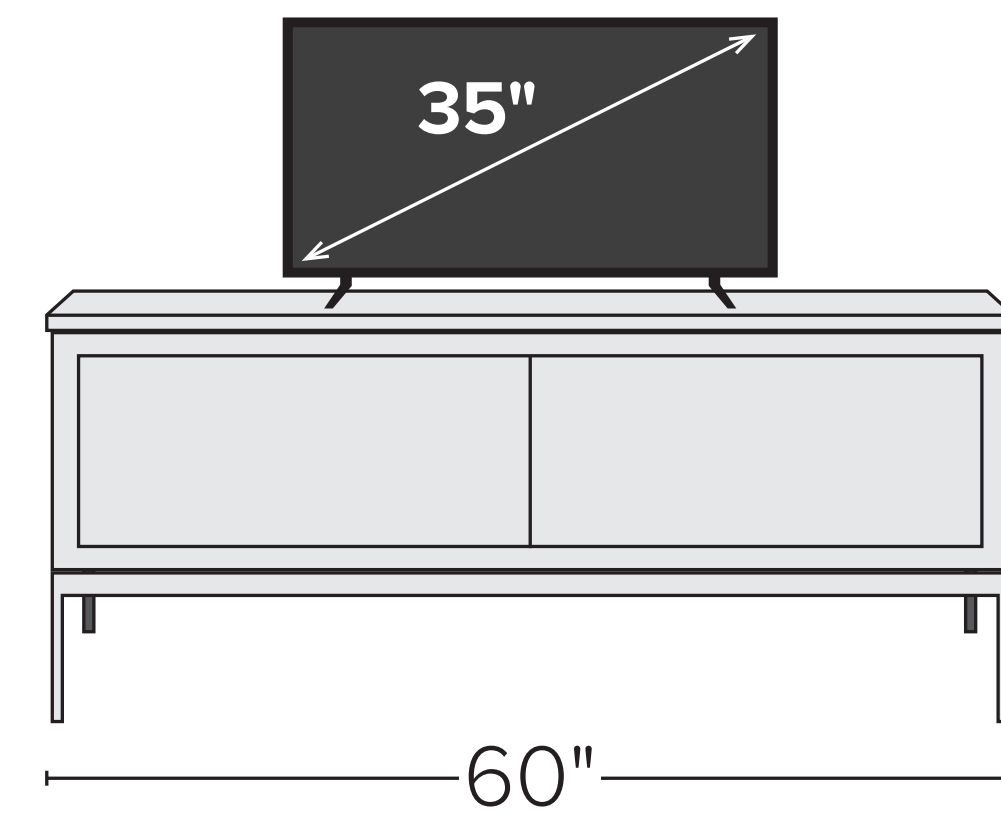
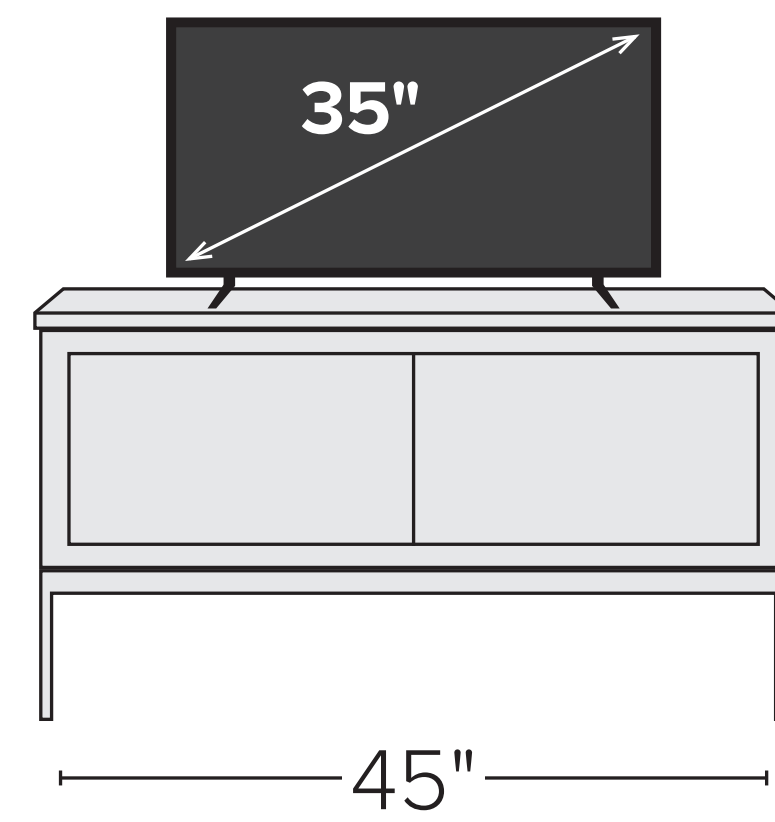


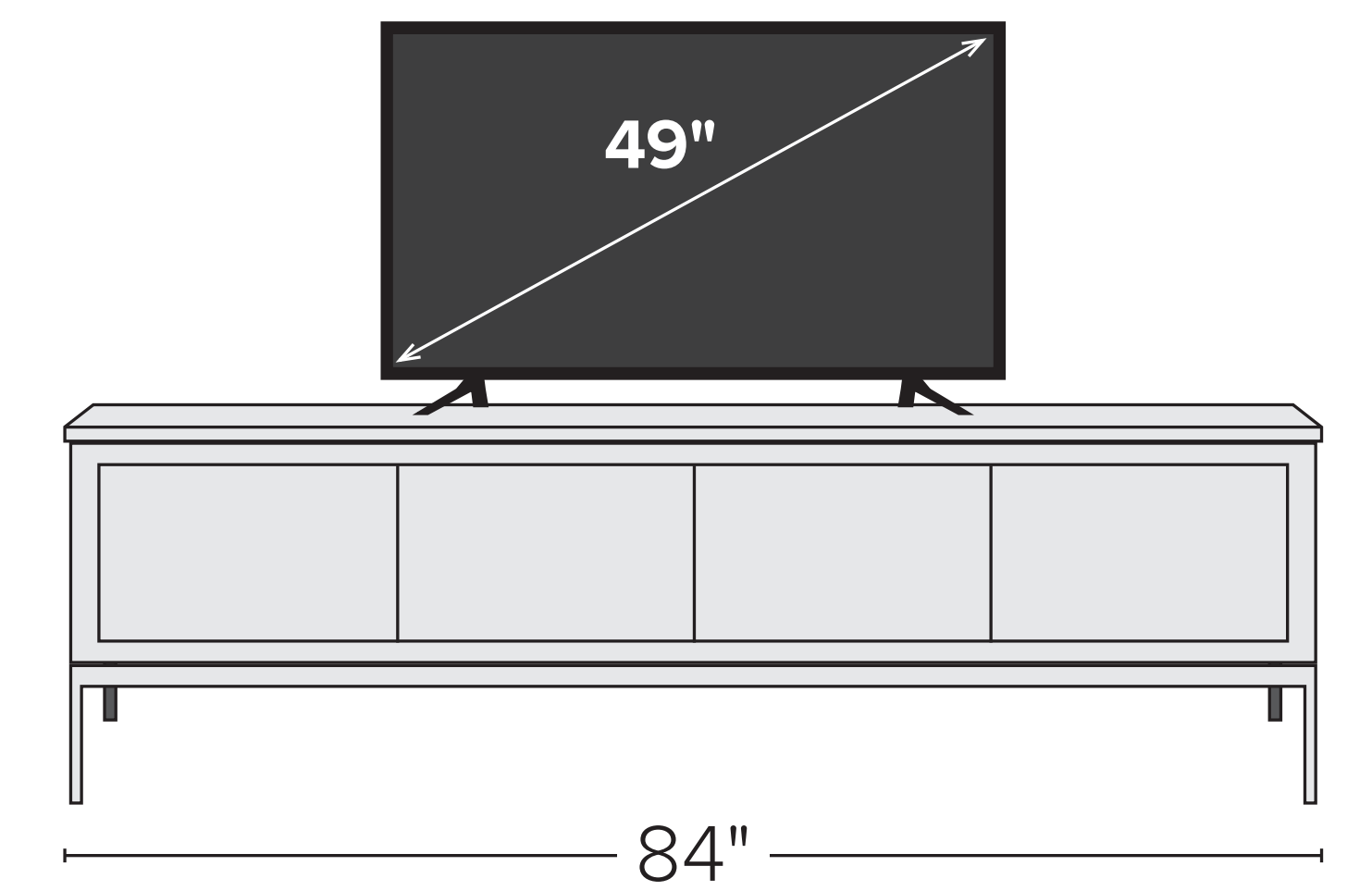
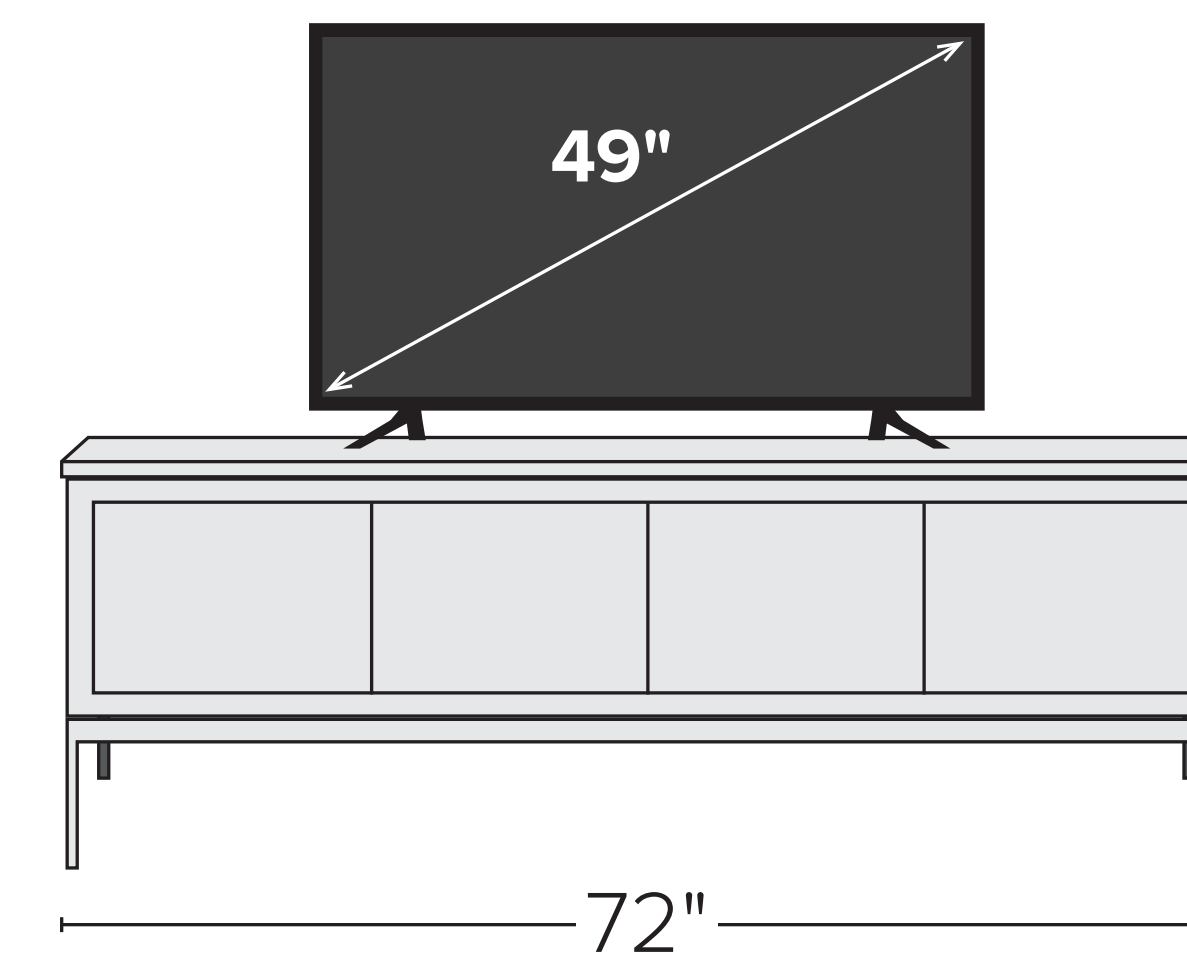
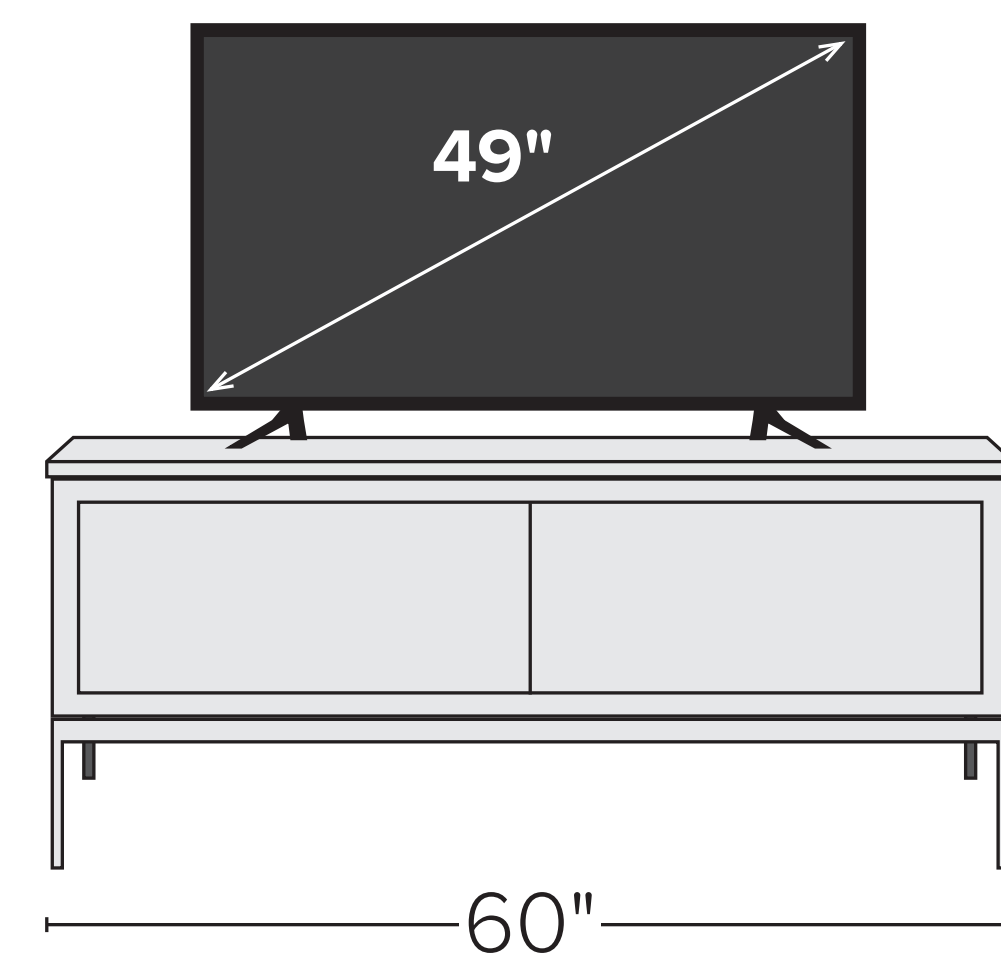
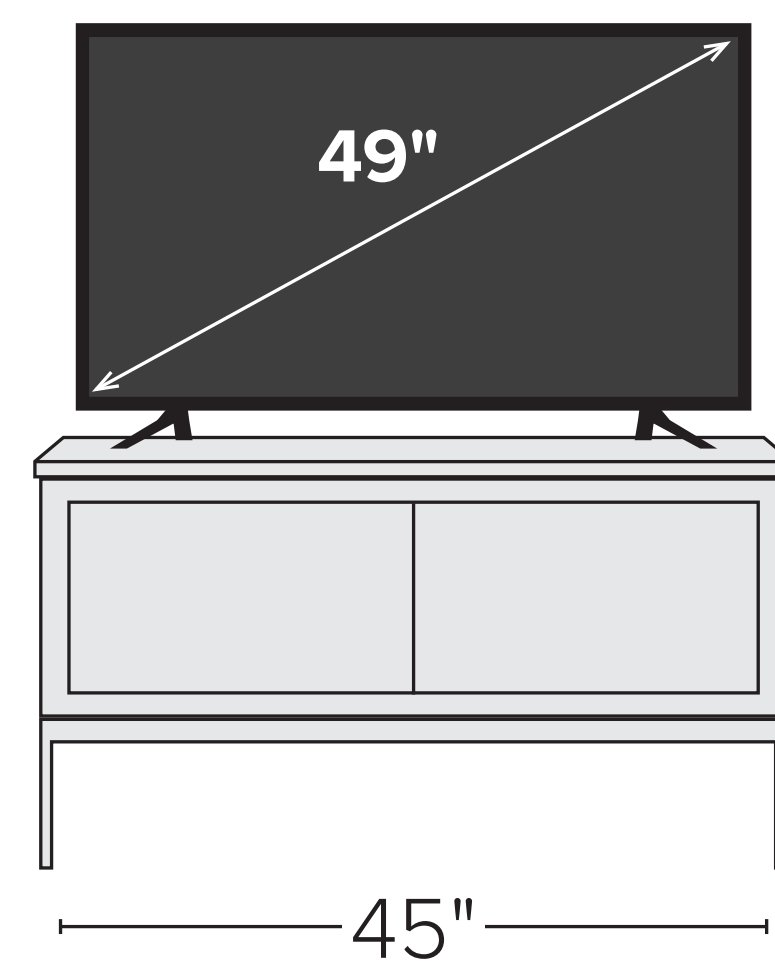
# TV STAND SIZE GUIDE

Use our guide to compare your TV's size to our media cabinet sizes and find your perfect fit. Media cabinet sizes are approximate; see [roomandboard.com](http://roomandboard.com) for exact dimensions or ask a Design Associate for details.

40" TVs  
and smaller



43-55" TVs



65" TV  
and larger

