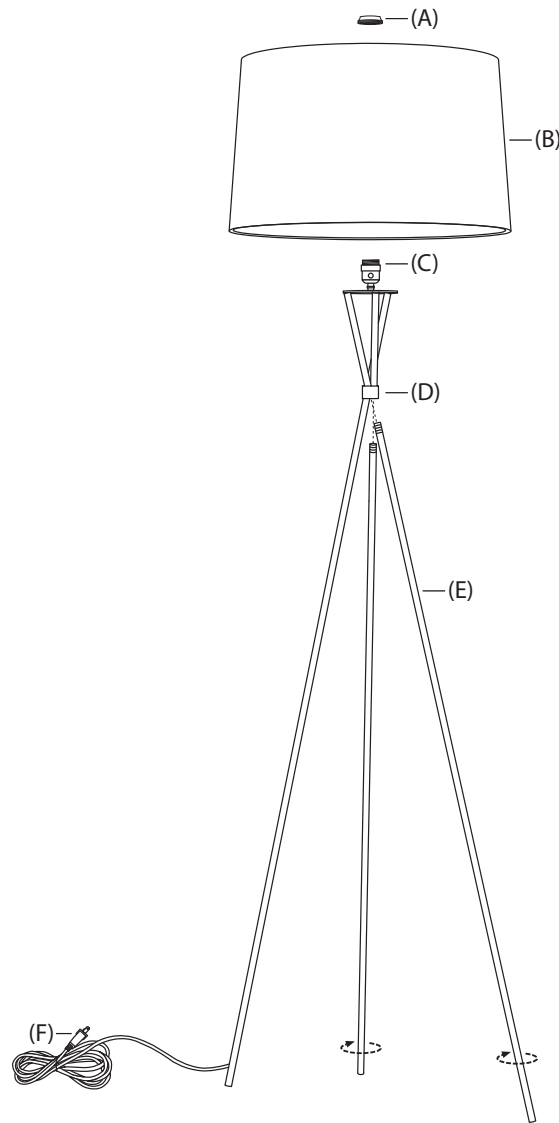


assembly instructions: tri-plex



List of Parts

- (A) Flange
- (B) Shade
- (C) Socket
- (D) Housing
- (E) Legs (2)
- (F) Plug

Safety Instructions:

- * This lamp comes with a polarized plug as a feature to reduce the risk of electrical shock. If the plug does not fit into your outlet, contact a licensed electrician.
- * NEVER alter the plug.
- * Remove plug from wall outlet before replacing light bulb.
- * Do not connect the electricity until lamp is fully assembled.
- * This lamp is UL rated for dry locations.

Assembly Instructions:

1. Unpack all parts and remove packing materials.
2. Carefully thread legs (E) into housing (D). Turn until hand tight.
3. Remove flange (A) from socket (C).
4. Place shade (B) onto socket (C). Thread flange (A) back onto socket (C).
5. Insert 1-150W Max. Type A bulb into socket.
6. Remove protective plastic from plug (F). Insert plug (F) into wall outlet.

** To clean, wipe with a soft cloth. Don't use chemical or abrasive cleaners.