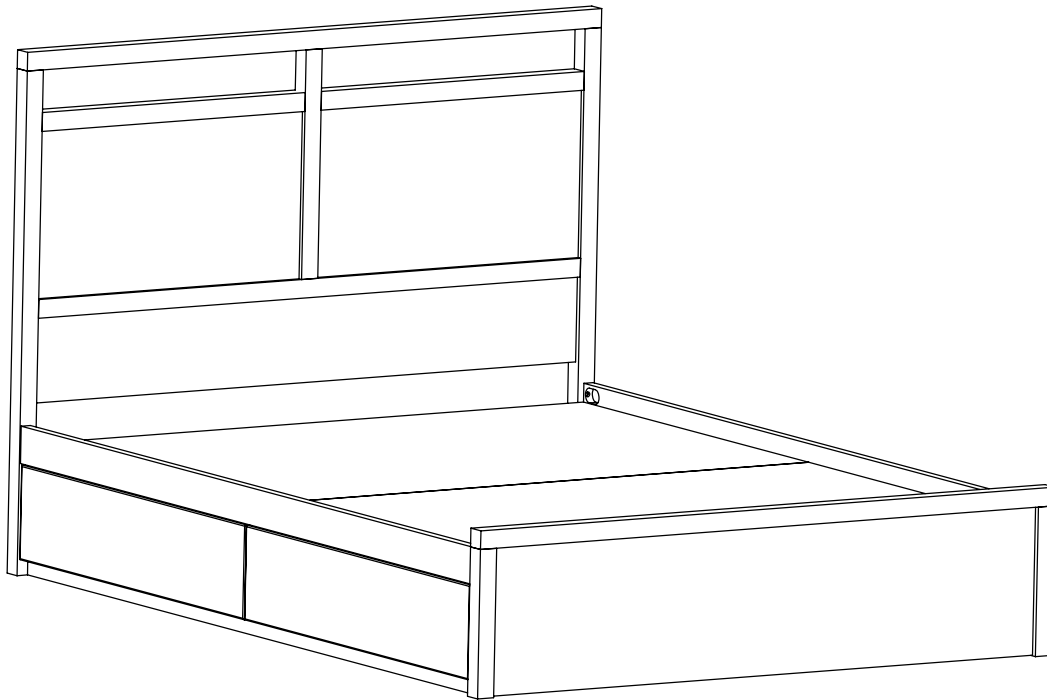


BERKLEY SIDE STORAGE BED



Recommended Tools and Materials

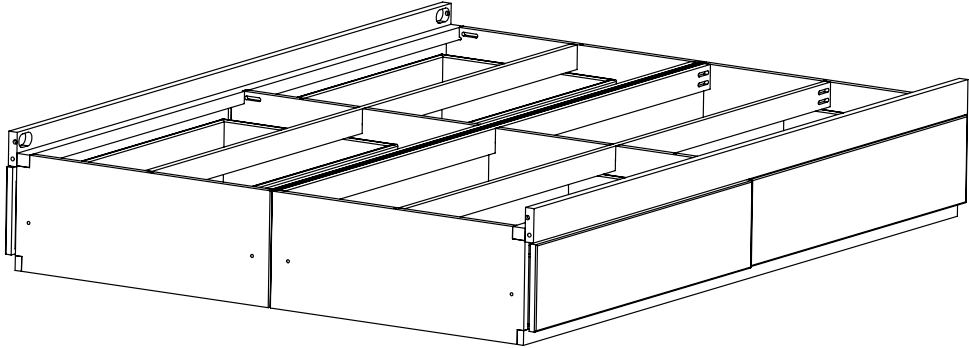
- Small wrench (included)
- #2 Phillips head screwdriver
- Allen wrench (included)
- Level

This Product Includes

- Headboard
- Footboard
- Drawer box assembly (2)
- Melamine platform panel (2)
- Curved washer (4)
- Threaded rod (4)
- Allen bolt (6)
- Wooden dowel (4)
- 1/2" nut (4)
- #2 Phillips head wood screws (12)

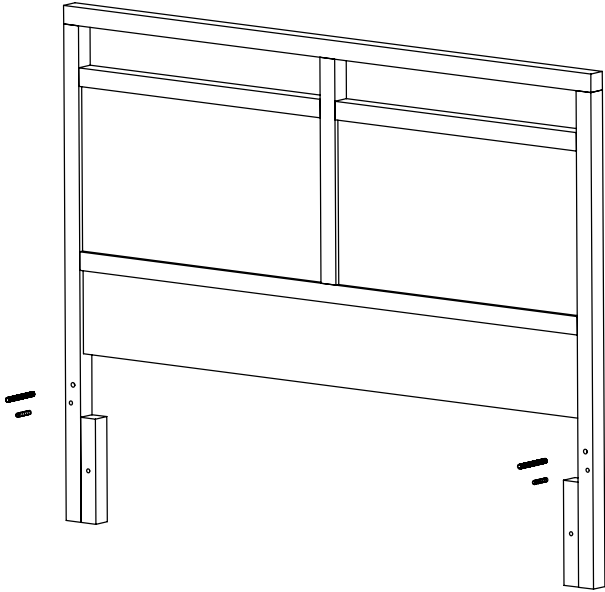
1

Place both drawer box assemblies next to one another near their final position in the room. Use a level and adjust the small threaded feet on the underside of each assembly as necessary to ensure the top surfaces are perfectly flush and level.

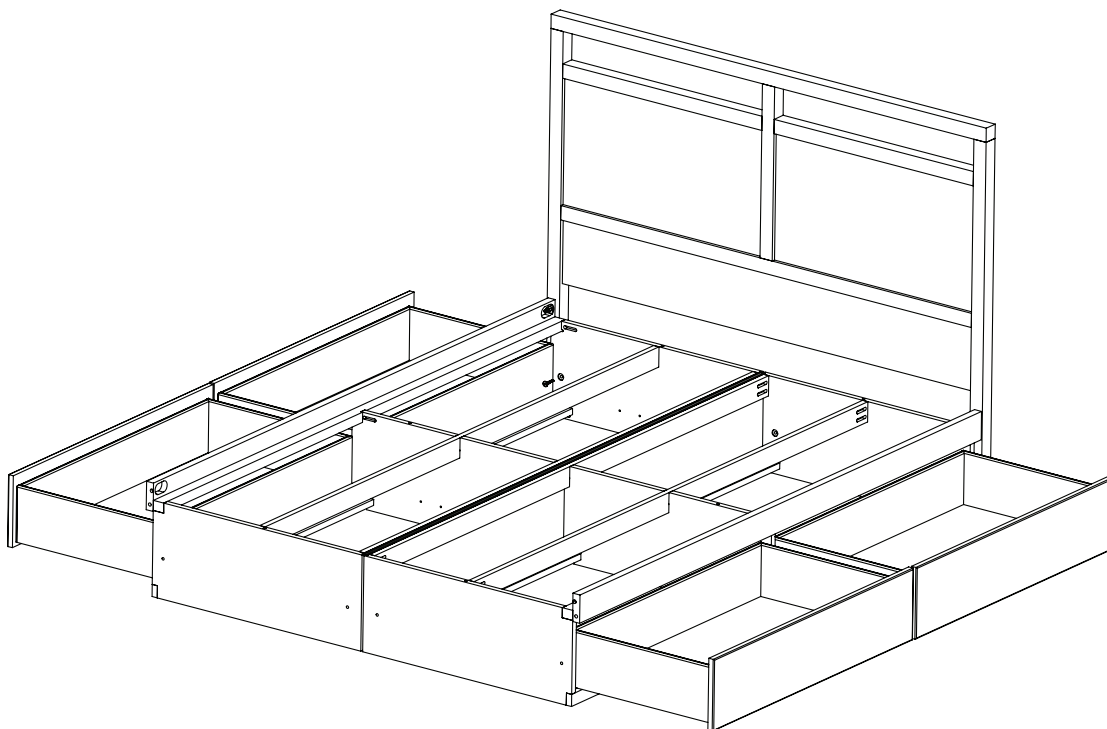


2

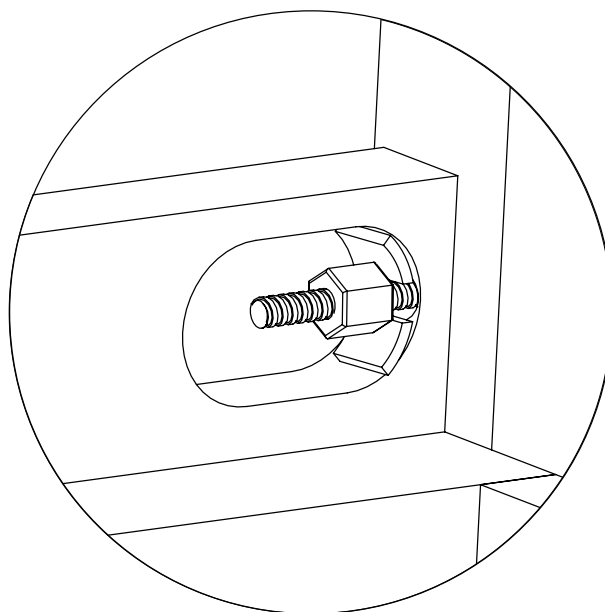
Hold the headboard up near desired placement and insert one wooden dowel and one threaded rod into each side of the headboard.



- 3 Align the headboard with the drawer box assemblies and insert the dowels and threaded rods on the headboard into their corresponding holes in the drawer box assemblies. Adjust the leveling feet under the headboard as necessary. Open the drawers fully and use 2 of the included Allen bolts to connect the bottom of the headboard.



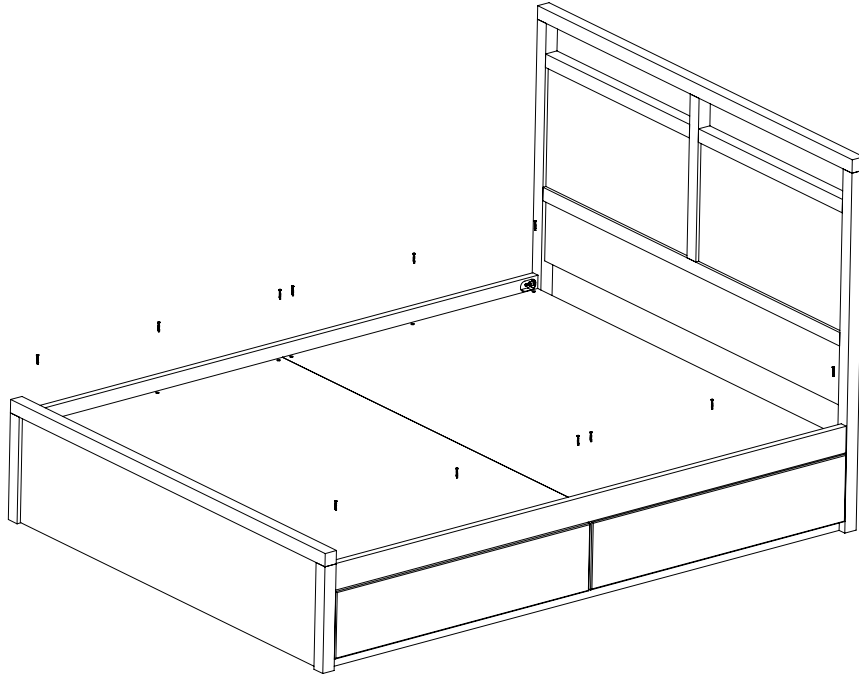
- 4 Use the included curved washer and nut to attach to the threaded rod through the oval slot on the interior side of the side rails.



- 5 Repeat the above process for the footboard attachment.

6

Place the melamine boards on the bed platform and screw in place using the included #2 Philips head screws. Make sure the screws are fully tightened and flush with the melamine boards to avoid damage to your mattress.



7

If necessary, drawer alignment can be adjusted by removing the drawer boxes and adjusting the glide settings on the underside of each drawer. To remove the drawers, pull the tabs located under the front of each drawer.

