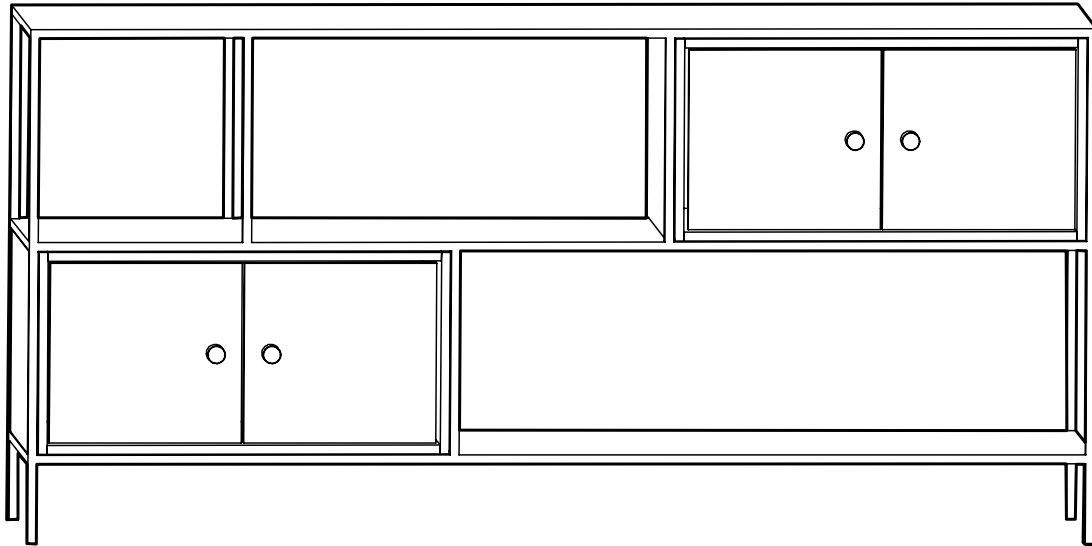
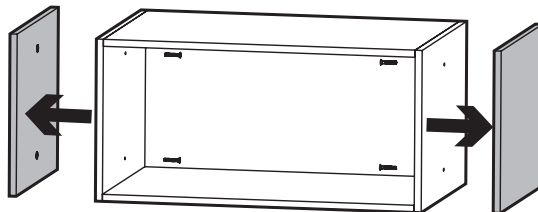


## FOSHAY BOOKCASE INSERTS



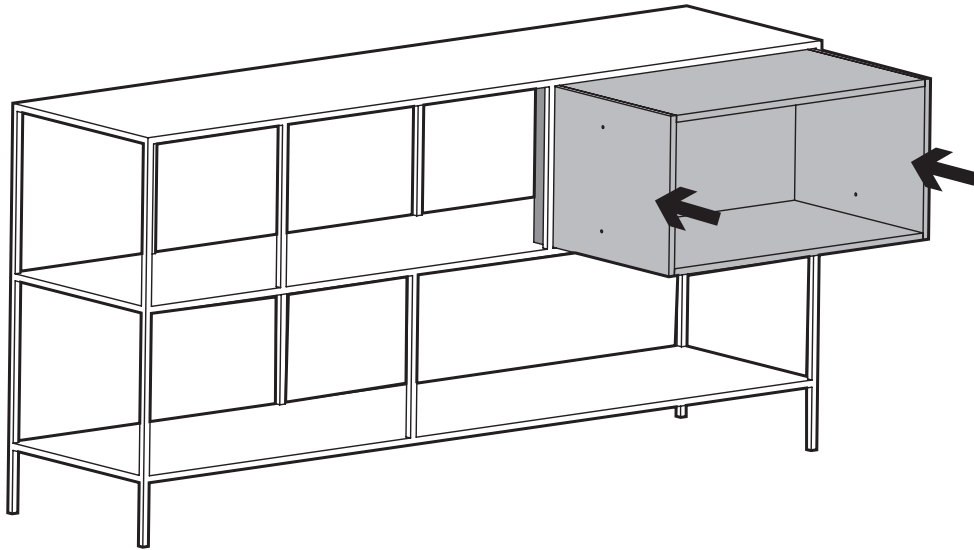
### Installation Instructions

- 1 Using the included allen wrench, remove the side panels of each insert by unscrewing two screws on each side and pulling the side panels off.



2

With the felt pads facing down, carefully slide the prepared inserts into their locations on the bookshelf.

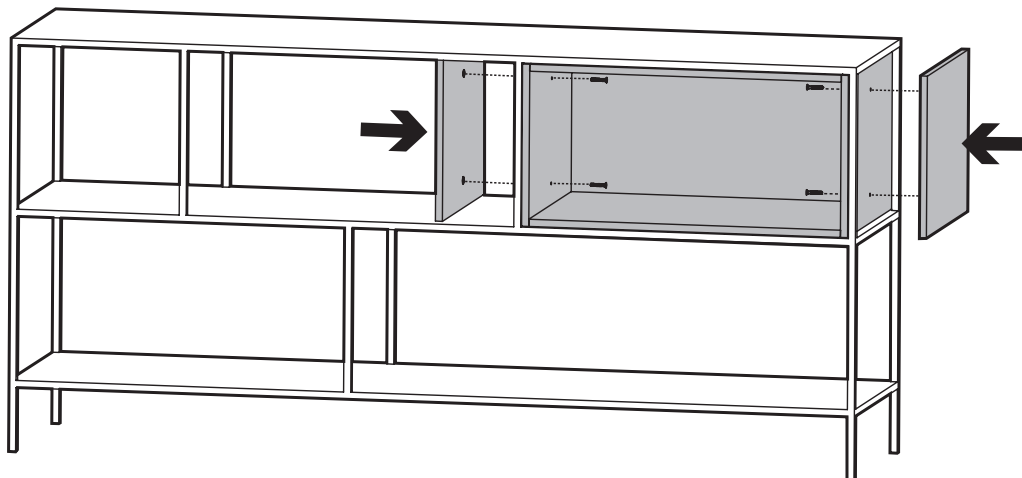


## ATTENTION

Each insert has a sticker on it with a letter (A, B, C, D, E, F or G) that corresponds to its proper placement in each Foshay bookcase size. Refer to the end of this booklet to see specifically where each insert can be placed in various Foshay bookcase sizes.

3

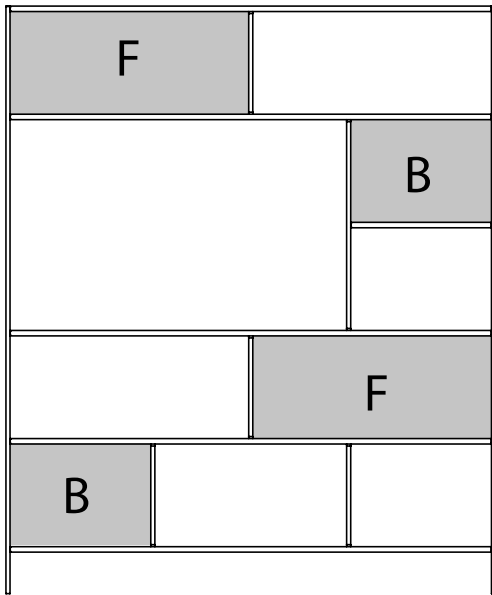
Once each insert is placed in a location that fits it, reattach the side panels using the included screws and allen wrench. The side panels keep the insert in place.



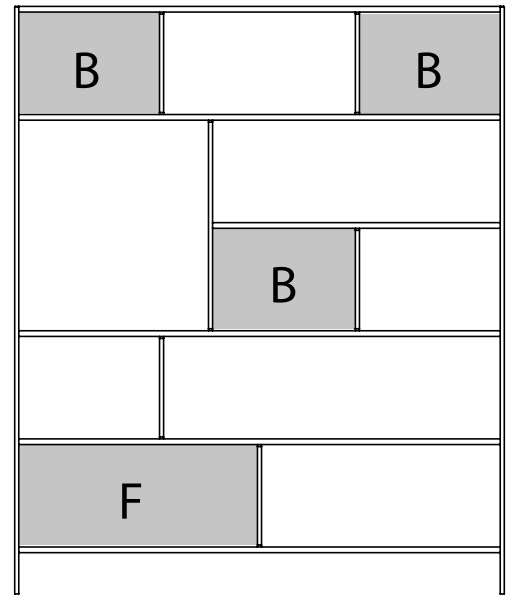
# FOSHAY BOOKCASES

Each insert has a sticker on it with a letter (A, B, C, D, E, F or G) that corresponds to its proper placement in each Foshay bookcase size. These illustrations show where each insert can be placed in various Foshay bookcase sizes.

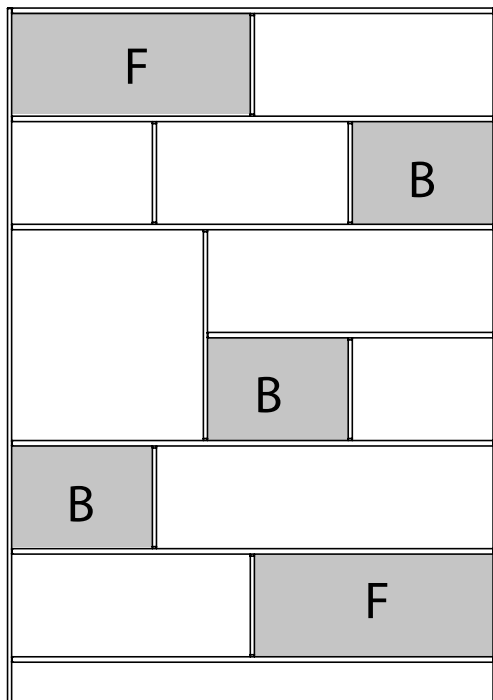
Foshay 60 x 15 x 72



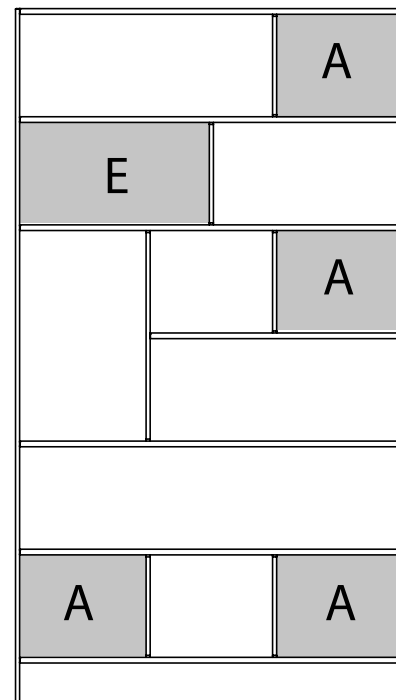
Foshay 60 x 15 x 72



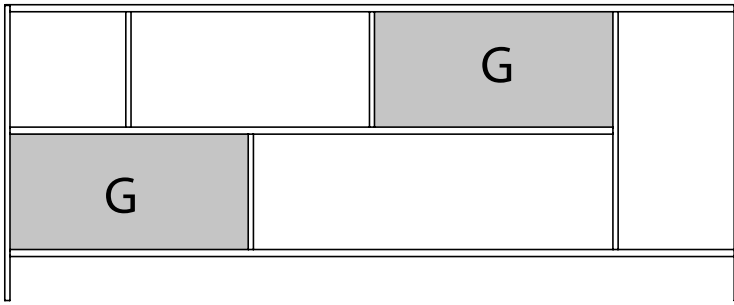
Foshay 60 x 15 x 86



Foshay 48 x 15 x 86



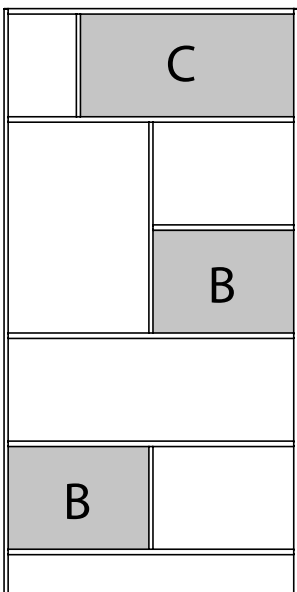
Foshay 72 x 15 x 29



Foshay 60 x 15 x 29



Foshay 36 x 15 x 72



Foshay 48 x 15 x 72

