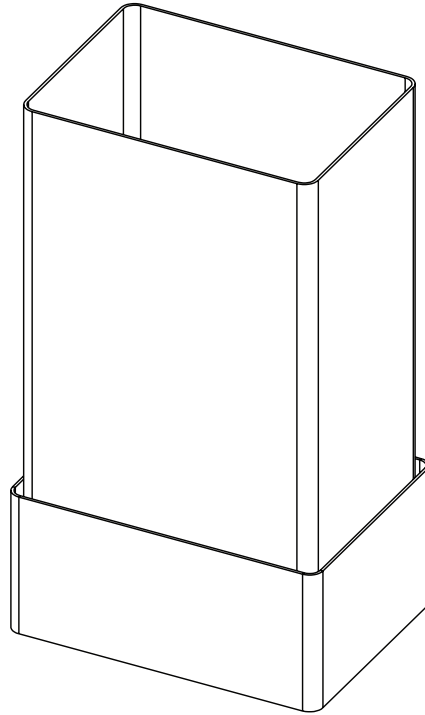


IRIS SCONCE



CAUTION

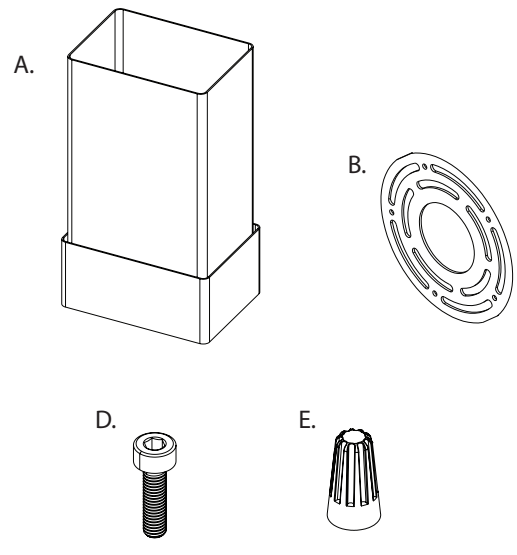
- It is strongly recommended that the hardwire installation of this product is done by a professional.
- Read these safety instructions entirely prior to installation.
- DO NOT BEGIN INSTALLATION UNTIL ALL ELECTRICAL POWER TO THE INSTALLATION SITE HAS BEEN TURNED OFF AT THE CIRCUIT BREAKER!

Recommended Tools:

- Phillips screwdriver
- 9/64 Allen wrench
- Wire strippers

This Product Includes

- A. Iris sconce
- B. Mounting plate
- C. Mounting plate screws x2
- D. Back plate screws x2
- E. Wire nuts



Installation Instructions

Cut power to circuit

- 1** Feed the wires from the existing junction box through the center of the mounting plate. Then use the provided mounting screws to attach the mounting plate to your existing junction box. If you have a green ground wire, this wire can be connected directly to your junction box.
- 2** Use wire nuts to twist together the junction box wires and their corresponding wires on the sconce.
- 3** Attach the sconce assembly to the mounting plate using provided back plate screws.
- 4** Screw in light bulb and place shade on the magnets on the metal fixture.
- 5** Return power to circuit and turn on light.

