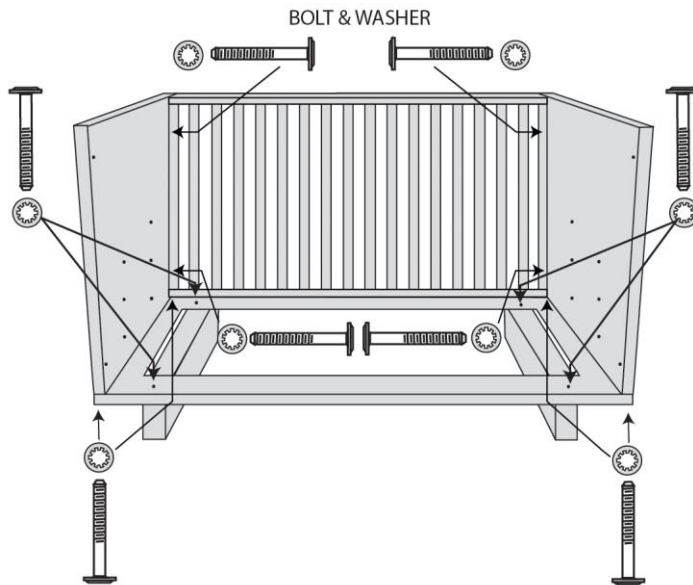


Step 1: Lay the **Base Frame** on top of the **Feet**, and secure using 4 **Decorative Nickel Bolts and Lock Washers**. (Base Frame should be oriented so that the countersunk holes face the floor.)

Step 2: Place one of the **End Panels** on the left side of the Base Panel so that the silver metal inserts are facing inward. Use 2 **Decorative Nickel Bolts and Lock Washers** to secure the End Panel to the Base from underneath the Base Frame, but **DO NOT** tighten the Bolts completely yet. Repeat this procedure on the right.

Step 3: Attach one of the **Sides** to the **End Panels** with 4 **Decorative Nickel Bolts and Lock Washers** using the enclosed **Z Wrench**. Place the Bolts through the end slat of the Side and into the End Panel, but **DO NOT** tighten completely.



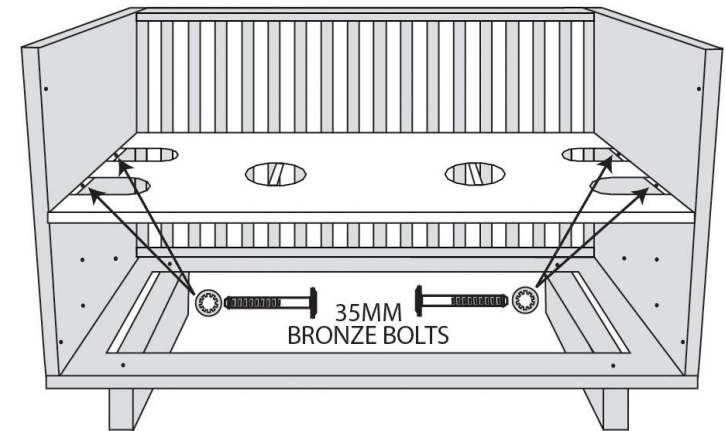
Step 1: Attach Feet to Base
Step 2: Attach End Panels to Base
Step 3: Attach Side to End Panels

CRIB ASSEMBLY INSTRUCTIONS

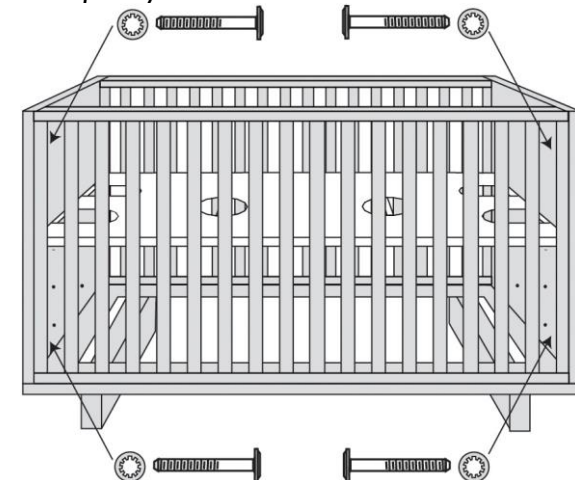
For ASHBY Crib

DO NOT USE POWER TOOLS!

Step 4: Screw a **Bronze Bolt and Lock Washer** in each of the top holes of the center columns of inserts on the End Panels. Leave the bolts sticking out about an inch. *This configuration puts the Mattress in the highest position, which is the height recommended for newborns. To select a lower position, place the bolts in lower holes.* Place the **Mattress Support Platform** over the Bolts. The notches in the Platform fit snugly over the Bolts.



Step 5: Attach the other Side to the End Panels as in step 2. Now tighten all 16 Bolts on crib completely.



Conversion to Toddler Bed: The crib mattress should be in lowest position (Bolts in the lowest holes.) Remove the front Side by undoing what you did in Step 4. Remember to loosen ALL Decorative Bolts before attempting to remove the Side. Use the bolts and lock washers you removed to attach the Toddler Rail as in Step 4.

For Toddler Bed use, the minimum age shall be no less than 15 months and the maximum weight shall not be greater than 50 lbs (22.7kg). The mattress used on the toddler bed shall be a full-size crib mattress at least 27 1/4 (131cm) by 51 5/8 in (69cm) with a thickness of no less than 4 in. (11cm) and not exceeding 6 in. (15cm).

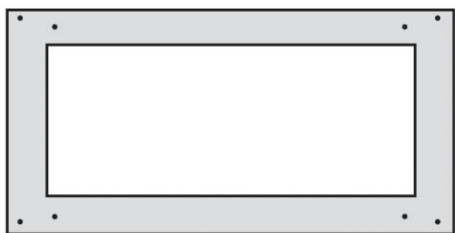
Maintenance: Periodically check to make sure all screws, bolts and fastening devices are tight. Before each usage or assembly, inspect crib for damaged hardware, loose joints, missing parts or sharp edges. DO NOT use crib if parts are missing or broken. DO NOT substitute parts. DO NOT make any alteration to this crib.

Cleaning: Mix a mild solution of gentle dishwashing liquid and water, apply to crib surface using a soft, clean cloth, then dry all surfaces with a soft, dry cloth. NO ABRASIVES, SCOURING PADS, STEEL WOOL, OR COARSE RAGS should be used to clean this fine furniture.

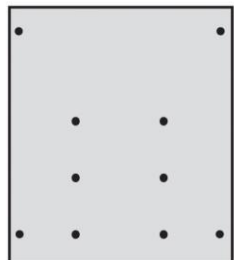
Storage: A **Plastic Pouch** is attached to the crib spring for storage of the assembly instructions for future referral. After completing the assembly, you are advised to read and be aware of all WARNINGS, CAUTIONS, CLEANING, STORAGE AND MAINTENANCE notices contained herein. We caution you not to place excess hardware in the plastic pouch as it could present danger to a child if retrieved and it could also puncture the crib mattress. When storing crib, use CAUTION as extreme temperature or humidity changes could be harmful.

PARTS INCLUDED IN CARTON

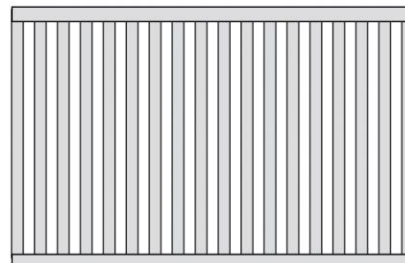
1 – BASE FRAME AND 2 FEET



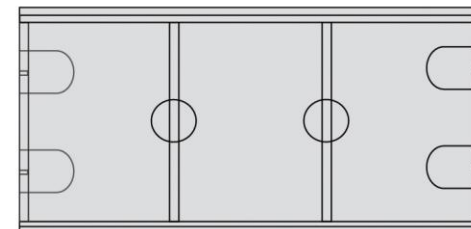
2 – END PANELS



2 – SIDES

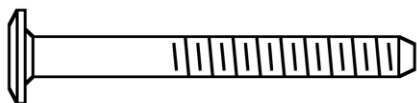


1 – MATTRESS SUPPORT PLATFORM



PARTS INCLUDED IN HARDWARE BAG

16 – DECORATIVE NICKEL BOLTS (50mm)



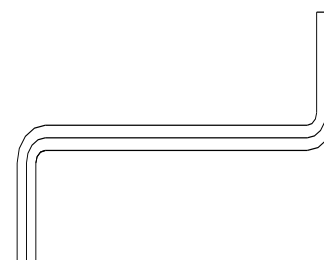
4 – DECORATIVE BRONZE BOLTS (35mm)



1 – BALL END ALLEN WRENCH



1 – Z-WRENCH



20 – LOCK WASHERS



CRIB ASSEMBLY INSTRUCTIONS

For Ashby Crib

- Read all instructions before assembling crib.
- Keep instructions for future use.



WARNING: INFANTS CAN SUFFOCATE ON SOFT BEDDING. NEVER ADD A PILLOW OR COMFORTER. NEVER PLACE ADDITIONAL PADDING UNDER AN INFANT.

- To reduce the risk of SIDS, pediatricians recommend healthy infants be placed on their backs to sleep, unless otherwise advised by your physician.

Strangulation Hazard:

- Strings can cause strangulation! DO NOT place items with a string around a child's neck, such as hood strings or pacifier cords. DO NOT suspend strings over a crib or toddler bed or attach strings to toys.
- To help prevent strangulation tighten all fasteners. A child can trap parts of the body or clothing on loose fasteners.
- DO NOT place crib or toddler bed near window where cords from blinds or drapes may strangle a child.

Fall Hazard:

- When child is able to pull to a standing position, set mattress to lowest position and remove bumper pads, large toys and other objects that could serve as steps for climbing out.
- Stop using crib when child begins to climb out or reaches the height of 35 in. (89cm).



WARNING: FAILURE TO FOLLOW THESE WARNINGS AND ASSEMBLY INSTRUCTIONS COULD RESULT IN SERIOUS INJURY OR DEATH.

CAUTION: ANY MATTRESS USED IN THIS CRIB SHALL BE AT LEAST 27 ¼ INCHES (69 CM) BY 51 5/8 INCHES (131 CM) WITH A THICKNESS NOT EXCEEDING 6 INCHES (15 CM).

- Check this product for damaged hardware, loose joints, loose bolts or other fasteners, missing parts, or sharp edges before and after assembly and frequently during use. Securely tighten loose bolts and other fasteners. DO NOT use crib if any parts are missing, damaged or broken. Contact your **ROOM & BOARD® STORE** or **EL GRECO WOODWORKING** for replacement parts and instructional literature if needed. DO NOT substitute parts.
- If refinishing, use a non-toxic finish specified for children's products.
- Follow warnings on all products in a crib.
- Never use plastic shipping bags or other plastic film as a mattress covers because they can cause suffocation.
- Infants can suffocate in gaps between crib sides and a mattress that is too small.
- PERIODICALLY CHECK TO SEE THAT ALL BOLTS ARE SECURELY TIGHTENED.